



**ADMIRAL**  
STAGING

# SIDELIGHT TOWERS

The Admiral Sidelight towers can be equipped with moving heads, theatre luminaires and other lighting fixtures. The position of the ladder can be symmetrical or asymmetrical, depending on the type of fixtures you want to use.



## KEY FEATURES

### Multipurpose

The Sidelight towers can not only be used for mounting your fixtures, but also for transporting them.

### Telescopic ladder

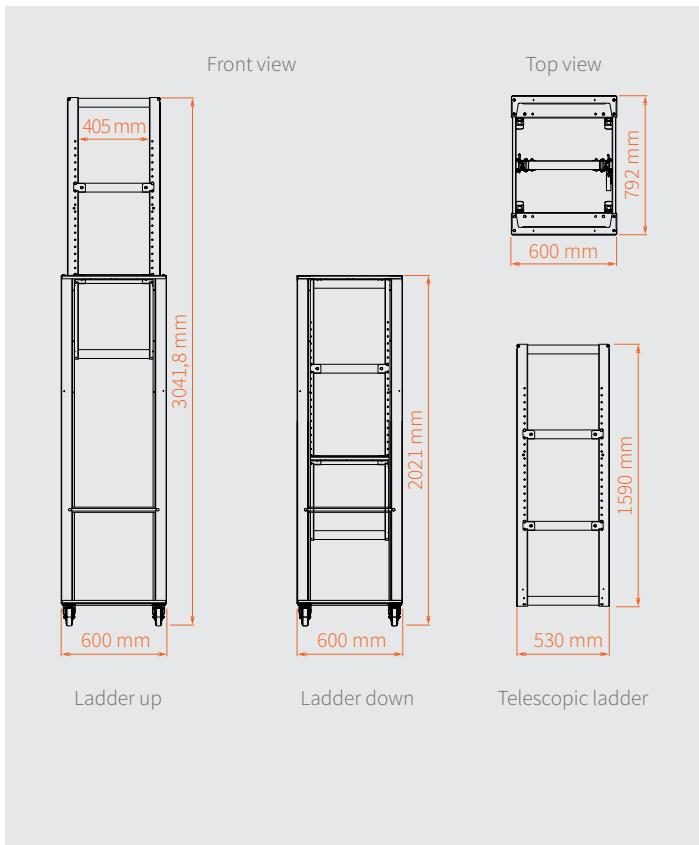
The towers are equipped with a telescopic ladder which allows you to lift your lights up to 120cm.

### Can be used as shinlights

By mounting an extra tube in the frame of the Sidelight tower you can create a shinlight.

[www.admiralstaging.com](http://www.admiralstaging.com)

## DIMENSIONS



## TECHNICAL DATA

### Sidelight tower symmetrical

Article code:	WAM2J11
EAN:	8720094423203
Dimensions (ladder up):	792 x 600 x 3041.8 mm (L x W x H)
Dimensions (ladder down):	792 x 600 x 2021 mm (L x W x H)
Weight:	56 kg
Material:	side panels: powder coated steel
	hanging tubes: powder coated aluminium

### Sidelight tower asymmetrical

Article code:	WAM2J10
EAN:	8720094423203
Dimensions (ladder up):	792 x 600 x 3041.8 mm (L x W x H)
Dimensions (ladder down):	792 x 600 x 2021 mm (L x W x H)
Weight:	56 kg
Material:	side panels: powder coated steel
	hanging tubes: powder coated aluminium

### Load limit is 100 kg

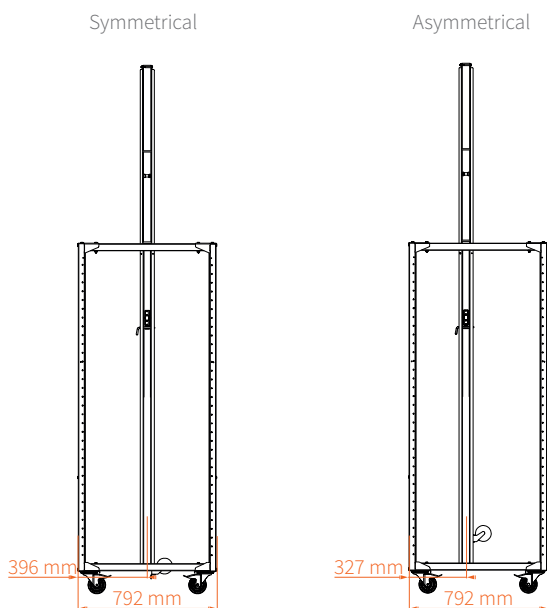
The ladder of the Sidelight tower is pushed up and down manually, please take this into consideration when loading the tower. The frame and castors can take more weight than a person should lift. Therefore please don't load over 100 kg.

## VARIATIONS

The position of the ladder in the Sidelight tower can either be symmetrical or asymmetrical. Choose the model suitable for you depending on the type of fixtures you want to use.

### Symmetrical

The symmetrical tower is suitable for smaller fixtures such as LED par spotlights, small moving heads, blinders or strobes.



### Asymmetrical

The asymmetrical tower is meant for larger moving heads and profile spots. In this position, there is more space in front of the ladder to position and aim your fixtures in the desired direction.

### Telescopic ladder

Push the telescopic ladder up manually before inserting the locking pin to secure it. The strap is not for hoisting but breaks the fall in case the ladder slides down.



**ADMIRAL**  
STAGING

| www.admiralstaging.com | Josink Kolkweg 10 | 7545 PR Enschede | The Netherlands | Tel: +31 53 4 301 201 |