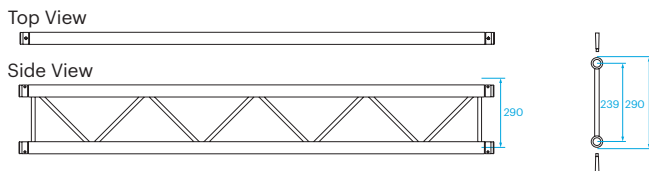


PRODUCT DATA SHEET

X30 Series truss is constructed of main chords (51 x 2 mm) and diagonals (16 x 2 mm), and uses the CCS6 coupling system. Prolyte supplies a variety of X30 Series truss modules that provide maximum flexibility, including standard or custom-made

lengths, circles and arches and several types of corners. Prolyte can create custom-made pieces on request.

X30L



Technical Specifications - X30 Series

Types	Ladder (L), Triangular (D), Square (V)
Alloy	EN AW 6082 T6
Main Chords	51 x 2 mm
Diagonal Members	16 x 2 mm
Coupling System	CCS6

Structural data can be found at www.prolyte.com

X30 Series - Standard available Lengths and Codes

Metres	Feet	Code*
0,25/1,00 m in 5 mm steps	0.82'/3.28', in 0.2' steps	
0,25	0.82	X30--L025
0,29	0.95	X30--L029
0,50	1.64	X30--L050
0,71	2.33	X30--L071
0,75	2.46	X30--L075
1,00	3.28	X30--L100
1,50	4.92	X30--L150
2,00	6.56	X30--L200
2,50	8.20	X30--L250
3,00	9.84	X30--L300
4,00	13.12	X30--L400

*on - indicate L for Ladder, D for Triangular or

V for Square truss. Example: X30V-L200



X Coupler - 1 ring

H Coupler - 2 rings

The number of recessed rings in the coupler receiver distinguishes the X and H Series.

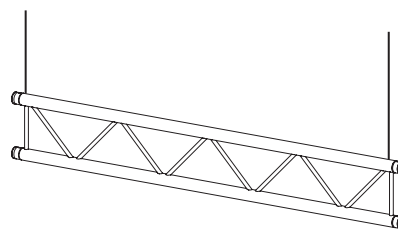
X30L LADDER SERIE TRUSS



X30L - Allowable Loading (Span supported on top chord.)

SPAN		Uniformly Distributed Load		DEFLECTION		CPL		DEFLECTION	
m	ft	kg/m	lbs/ft	mm	inch	kgs	lbs	mm	inch
1	3,3	979,7	659,2	2	0,1	979,7	2162,2	1	0,0
2	6,6	345,0	232,1	1	0,1	345,0	761,4	1	0,0
3	9,8	135,0	90,8	3	0,1	203,0	448,0	2	0,1
4	13,1	64,0	43,1	4	0,2	128,0	282,5	3	0,1
5	16,4	27,0	18,2	4	0,2	67,0	147,9	3	0,1
6	19,7	12,0	8,1	4	0,1	36,0	79,5	3	0,1

1 inch = 25,4 mm | 1m = 3.28 ft | 1 lbs = 0,453 kg

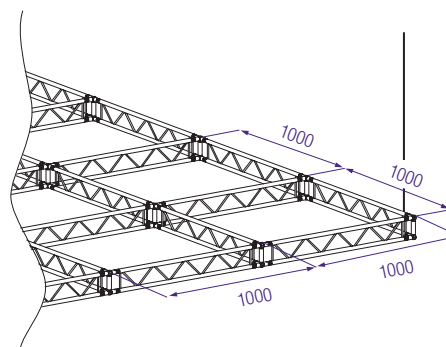


Spans must be supported at each end.
Loads must be suspended from bottom chord only.

X30L - Allowable Loading (Top chord sideways supported each metre.)

SPAN		Uniformly Distributed Load		DEFLECTION		CPL		DEFLECTION	
m	ft	kg/m	lbs/ft	mm	inch	kgs	lbs	mm	inch
4	13,1	243,2	163,7	18	0,7	459,8	1014,8	15	0,6
5	16,4	176,3	118,6	28	1,1	381,7	842,3	23	0,9
6	19,7	123,2	82,9	41	1,6	325,5	718,3	33	1,3
7	23,0	90,6	61,0	55	2,2	283,0	624,7	44	1,7
8	26,2	69,2	46,6	72	2,9	249,8	551,2	58	2,3
9	29,5	54,4	36,6	92	3,6	222,9	492,0	73	2,9
10	32,8	43,7	29,4	113	4,5	200,7	443,0	91	3,6
11	36,1	35,8	24,1	137	5,4	182,1	401,8	110	4,3
12	39,4	29,8	20,0	163	6,4	166,1	366,5	131	5,1

1 inch = 25,4 mm | 1m = 3.28 ft | 1 lbs = 0,453 kg

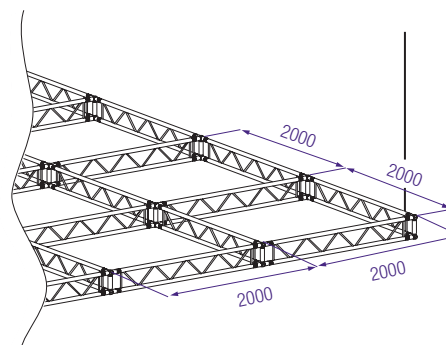


Spans must be supported at each end.
Loads must be suspended from bottom chord only.

X30L - Allowable Loading (Top chords sideways supported every 2 metres.)

SPAN		Uniformly Distributed Load		DEFLECTION		CPL		DEFLECTION	
m	ft	kg/m	lbs/ft	mm	inch	kgs	lbs	mm	inch
4	13,1	84,6	56,9	5	0,2	169,1	373,3	4	0,2
5	16,4	53,3	35,9	8	0,3	133,3	294,1	7	0,3
6	19,7	36,3	24,4	12	0,5	109,0	240,6	10	0,4
7	23,0	26,1	17,6	17	0,7	91,3	201,6	13	0,5
8	26,2	19,5	13,1	22	0,9	77,8	171,7	17	0,7
9	29,5	14,9	10,0	27	1,1	67,0	148,0	22	0,9
10	32,8	11,6	7,8	34	1,3	58,2	128,4	27	1,1
11	36,1	9,2	6,2	41	1,6	50,8	112,0	33	1,3
12	39,4	7,4	5,0	49	1,9	44,4	97,9	39	1,5

1 inch = 25,4 mm | 1m = 3.28 ft | 1 lbs = 0,453 kg



Spans must be supported at each end.
Loads must be suspended from bottom chord only.