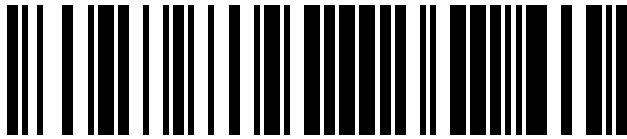


SET OF 2 U-BOLTS RIGROPHP

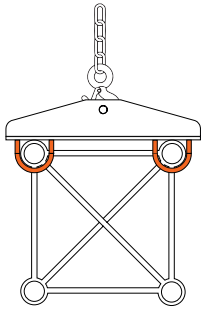


Admiral Staging the Netherlands
www.admiralstaging.com +31 534 301 201

USE

Truss bracket

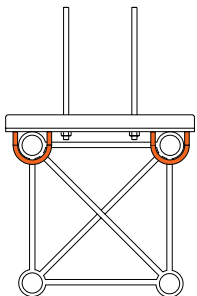
Use the U-Bolts in this set in combination with the Lifting bracke.



For a fixed installation it is recommended to permanently attach the lifting bracket to the truss. This can be done by placing the U-Bolts around the main beams of the truss and to fix them to the truss bracket by means of the supplied self-locking M8 nuts.

Mounting bracket

Use the U-Bolts in this set in combination with the Mounting bracket bracket.



With this bracket you can hang a truss 30 (square or triangle) on the ceiling. Three holes in the middle of the bracket provide access to assemble a threaded rod.

DANGER

In case of operations above persons.

The truss brackets may only be used for lifting and hoisting above persons if the aforementioned precautions are taken: Only secure with self locking nuts and a maximum load up to 0.5 X WLL

SCOPE

To be used in combination with: Admiral truss bracket to hoist 30 truss (square or triangle) in a fixed installation and/ or Admiral Mounting bracket to hang 30 truss (square or triangle) on the ceiling.

MAINTENANCE

- Check the U-Bolts regularly for corrosion: corrosion can negatively affect the strength
- Locking nuts may be used only once. After use replace them by equivalent ones.
- If necessary, clean with a dry cloth. Do not use corrosive detergents.

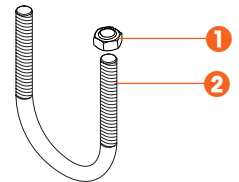
WARNING

Inspect this product before use. By wear and/or missing of the proper components this product should be immediately taken out of service. Consult your supplier for advise.

Repair / maintenance is only permitted by a qualified person. In case of doubt, consult your supplier.

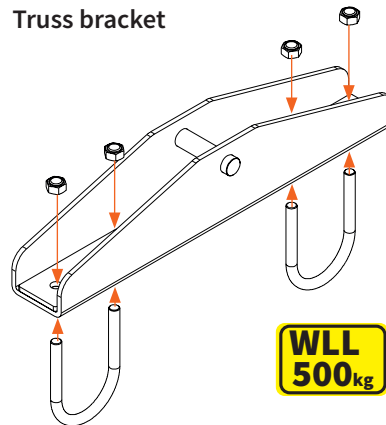
CONTENT

- 1 4 x M8 nut nyloc black
- 2 2 x U-Bolts 51 x 75 mm M8



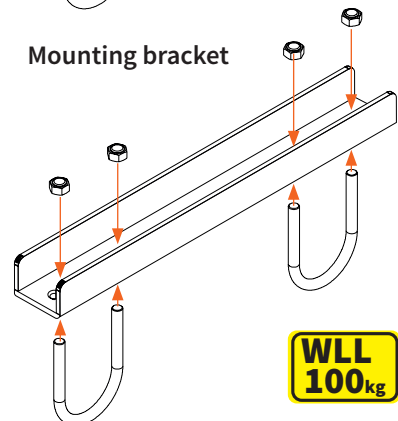
INSTALLATION

Truss bracket



WLL
500kg

Mounting bracket



WLL
100kg

WARNING

Always secure with self locking nuts.

While applying to the truss, make sure the nuts are sufficiently tightened (26 mN).



Download and read the full manual about our Truss bracket before use: admiralstaging.com