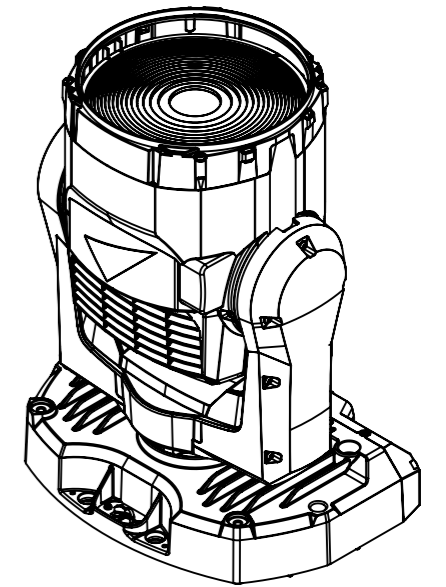
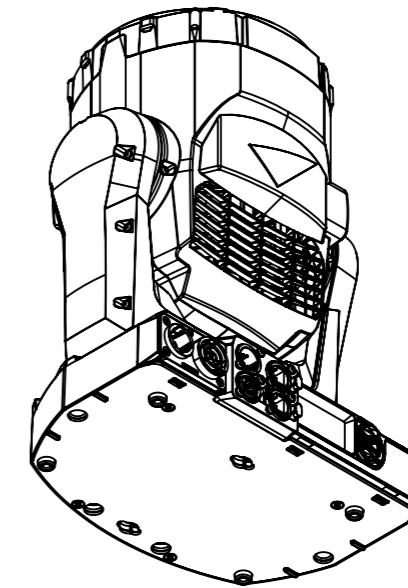
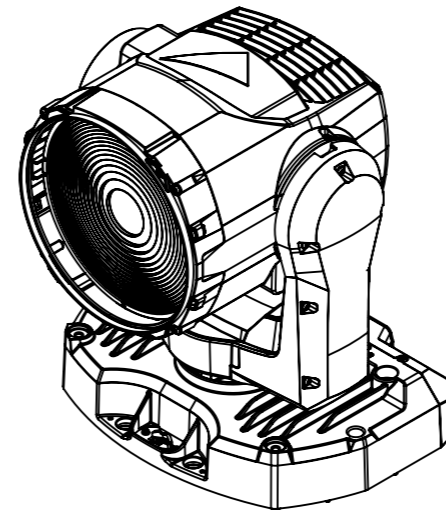
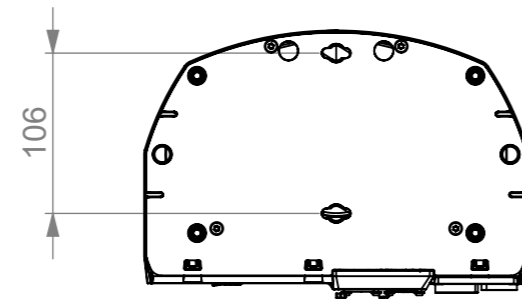
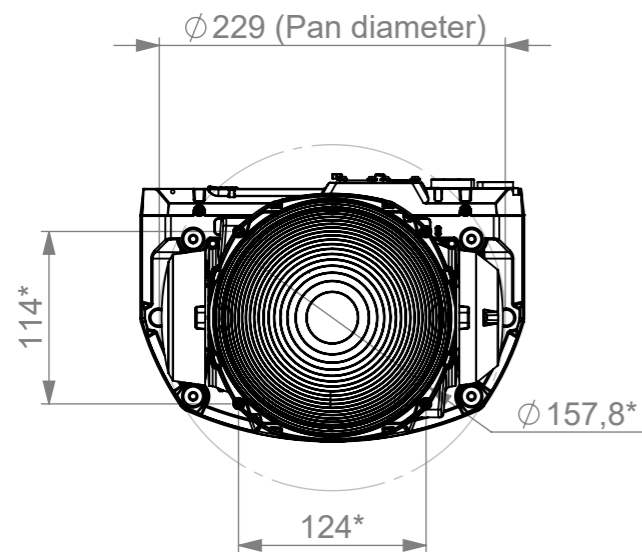
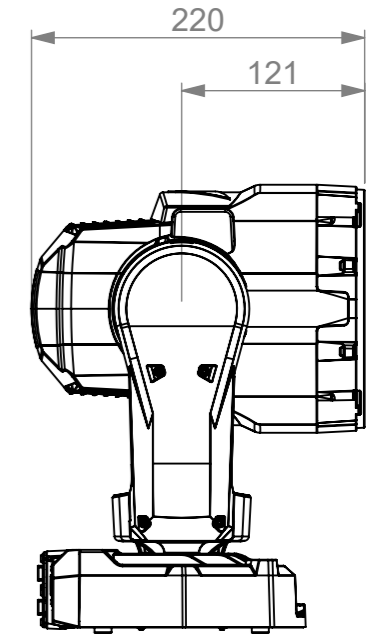
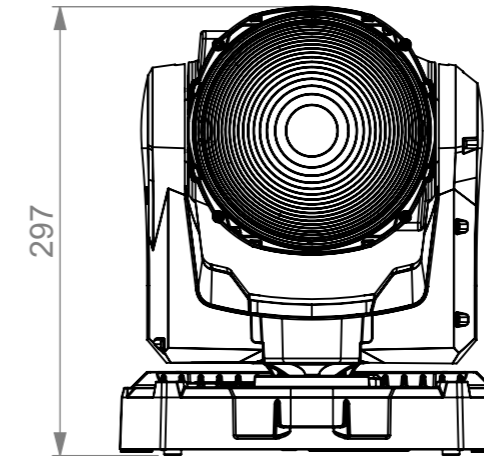
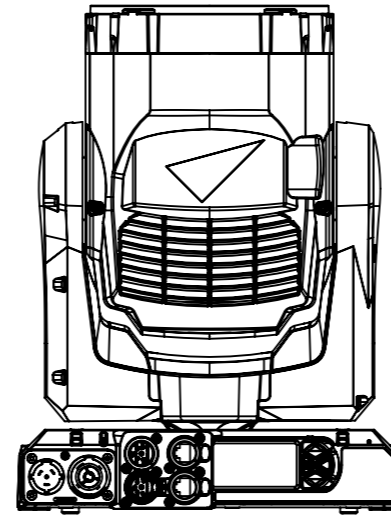
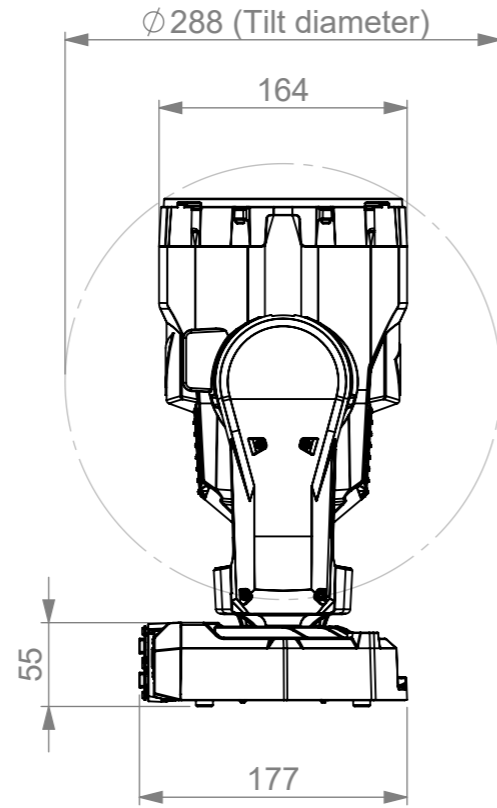
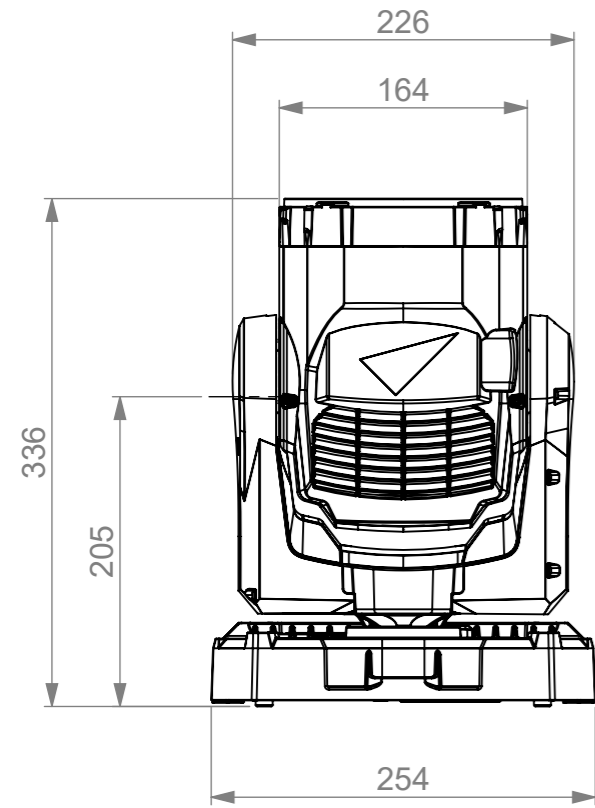


REVISION HISTORY

DATE	REV.	DESCRIPTION	BY
21-11-2023	A	First release	LTousgaard



*Front accessory mount

© 2023 HARMAN Professional Denmark ApS PROPRIETARY AND CONFIDENTIAL PROPERTY OF HARMAN. DO NOT DISCLOSE, REPRODUCE, OR PUBLISH WITHOUT WRITTEN HARMAN APPROVAL.	Material	FIRST ANGLE PROJECTION	HARMAN Professional Denmark ApS Oluf Palms Allé 44 DK 8200 Aarhus N	
	General linear tolerance		Surface treatment	TITLE MAC One
ROHS RESTRICTION OF HAZARDOUS SUBSTANCES ALL MATERIALS USED IN THIS PART MUST BE ROHS COMPLIANT. SUPPLIER SHALL PROVIDE A CERTIFICATE OF ROHS COMPLIANCE WITH THE FIRST ARTICLE.	General angular tolerance	Color	NO. _____ REV A	
	General geometrical tolerance	Project number 10291	SIZE A3 SCALE 1:5 UNIT mm DO NOT SCALE DRAWING	SHEET 1 OF 1