



Type(s)
Project
Date
Notes

GENERAL INFORMATION

ColorSource PAR jr is a compact version of the much-loved ColorSource PAR fixture. Crafted by lighting experts, ColorSource PAR jr uses a four-color array of red, green, blue and lime to provide bold, bright color in a surprisingly small form factor. The extremely lightweight luminaire is also convection-cooled and fanless, making it the ideal option for stage and set applications that require complete silence. This fixture is available with either the Original array with warm pastels for skin-tone enhancement, or the Deep Blue array, which brings saturated moody tones to your stage. And at almost 2300 lumens, it packs an impressive punch.

FEATURES

- Two array options
 - Original RGB-L (Red/Green/Blue/Lime)
 - Deep Blue RGI-L (Red/Green/Indigo/Lime)
- Homogenized optics
- Simple user interface with seven-segment display
- powerCON® in and thru
- 5-pin XLR
- LED droop compensation
- Optically calibrated

APPLICATIONS

- Theatres and performance spaces
- Houses of worship
- Universities and schools
- Hospitality
- Retail
- Exhibition centers
- Meeting rooms
- Clubs
- Cafeteriums

ORDERING INFORMATION

ColorSource PAR jr

| Model | Description | ETL Part Number | CE Part Number | |
|-----------|--------------------------------------|-----------------|----------------|--|
| CSPARJR | ColorSource PAR jr, Black | 7420A1015 | 7420A1215 | |
| CSPARJRDB | ColorSource PAR jr, Deep Blue, Black | 7420A1016 | 7420A1216 | |

Note: ColorSource PAR jr luminaires ship with a hanging yoke and a power cable with connector of choice. See page 7 for connector options. C-clamps are not included. For additional color options, please add the following: -1 for white.

Additional ordering information (including accessories) can be found on page 7.



PRODUCT SPECIFICATIONS

Source

| | |
|--------------------------------------|---------------------------------|
| LED details | 16 Lumileds LUXEON® C |
| Max lumens | PAR jr: 2290 PAR jr DB: 2061 |
| Lumens per watt | PAR jr: 31.8 PAR jr DB: 28.6 |
| L70 rating (hours to 70% output)* | 54,000 hours |

Color

| | |
|-------------------------|---|
| Colors used | PAR jr: Red, Green, Blue, Lime PAR jr Deep Blue: Red, Green, Indigo, Lime |
| Color temperature range | Color mixing |
| Calibrated array | Yes |
| Red shift | No |

Optical

| | |
|------------------------------------|--|
| Beam angle range | 15.3° (secondary lenses available for multiple beam-spread options) |
| Gate size | N/A |
| Aperture size | 127 mm (5 in) |
| Pattern projection | No |
| Pattern size | N/A |
| Camera flicker control/Hz range | 1.2 kHz (default) and 25 kHz (via RDM) |

Control

| | |
|-------------------|---------------------------------------|
| Input method | 5-Pin XLR |
| Protocols | DMX-512, RDM |
| Modes (footprint) | 4 modes (1–6 channels) |
| RDM configuration | Yes |
| UI type | Seven-segment, three-button interface |
| Local control | Yes |
| Onboard presets | Yes (12) |
| Onboard sequences | Yes (5) |
| Onboard effects | No |
| FixtureLink | Yes |

Electrical

| | |
|---|---|
| Voltage range | ETL: 100–125 VAC 50/60 Hz CE: 100–240 VAC 50/60 Hz |
| Input method | AC via Neutrik powerCON® |
| Inrush (first half-cycle) | 120 V: 14.5 A 240 V: 28.7 A |
| Fixtures per circuit on standard R20 breaker | 18 (link up to 17 via Power Thru connector)* Note: powerCON connector rated for 20 A (120 V / 60 Hz) and 16 A (240 V / 50 Hz) |
| Wattage (typical) | 120 V: 72 W 240 V: 72 W |
| Current draw | 120 V: 0.6 A 240 V: 0.3 A |

*Note: All measurements are for 120 V, 60 Hz. Results may vary in different regions.

Thermal

| | |
|------------------------|-----------------------|
| Ambient operating temp | 0°–40° C (32°–104° F) |
| Fan (controllable) | No |
| Droop compensation | Yes |
| dB range | Fan-free |
| BTUs/hour (120 V) | 246 |

Physical

| | |
|----------------------|--|
| Materials | ABS plastic |
| Color options | Black or white |
| Mounting options | Yoke (yoke with floor stand available as an optional accessory) |
| IP rating | IP20 |
| Weight | 2.54 kg (5.6 lb) |
| Included accessories | Yoke, power cable |

Warranty

| | |
|-----------|----------|
| Fixture | 5 years |
| LED array | 10 years |

Regulatory and Compliance

| | |
|----------------------------------|---|
| Approved regulatory standards | cETLus Listed Conforms to UL 1598 Listed Certified to CAN/CSA C22.2 No. 250 |
|----------------------------------|---|

*Note: All LED sources experience some lessening of light output and some color shift over time. LED output will vary with thermal conditions. In individual situations, LEDs will be used for different durations and levels. This can eventually lead to minor alterations in color performance, necessitating slight adjustments to presets, cues or programs.

PRODUCT FEATURES



HOMOGENIZED OPTICS

The optics consist of a balanced mix of red, green, blue, and lime LEDs to give the best and brightest color mix possible.



SILENT, FAN-FREE OPERATION

PAR jr utilizes an advanced thermal system to provide brilliant, silent output without the use of a fan.

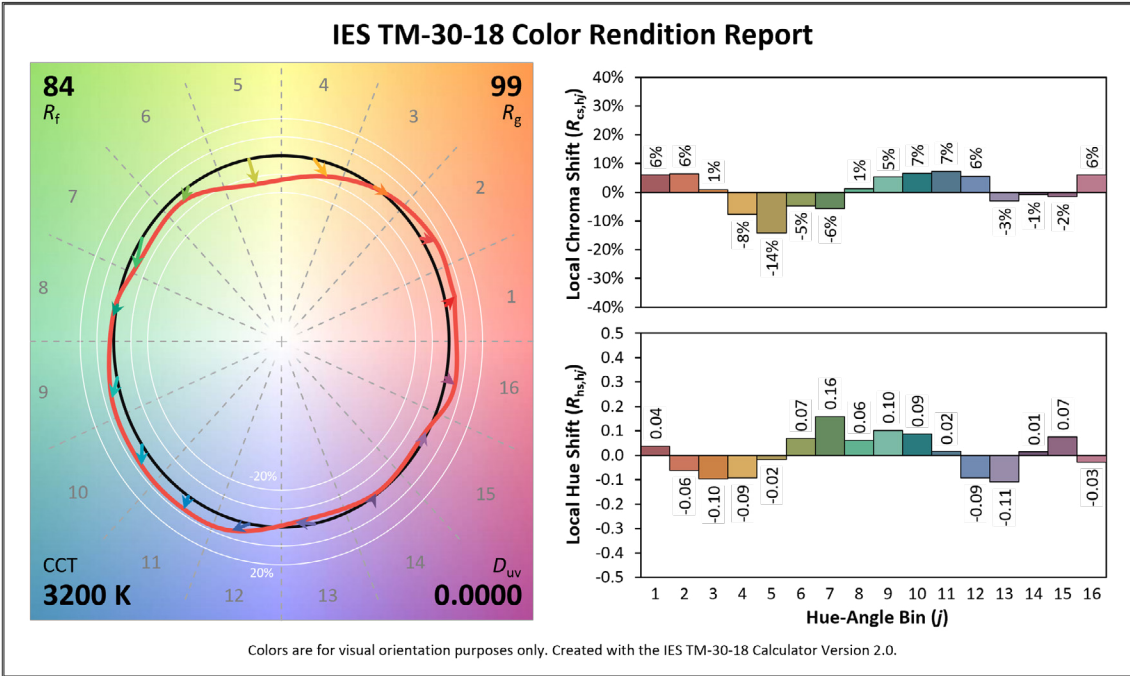


RGB-L OR RGI-L ARRAY

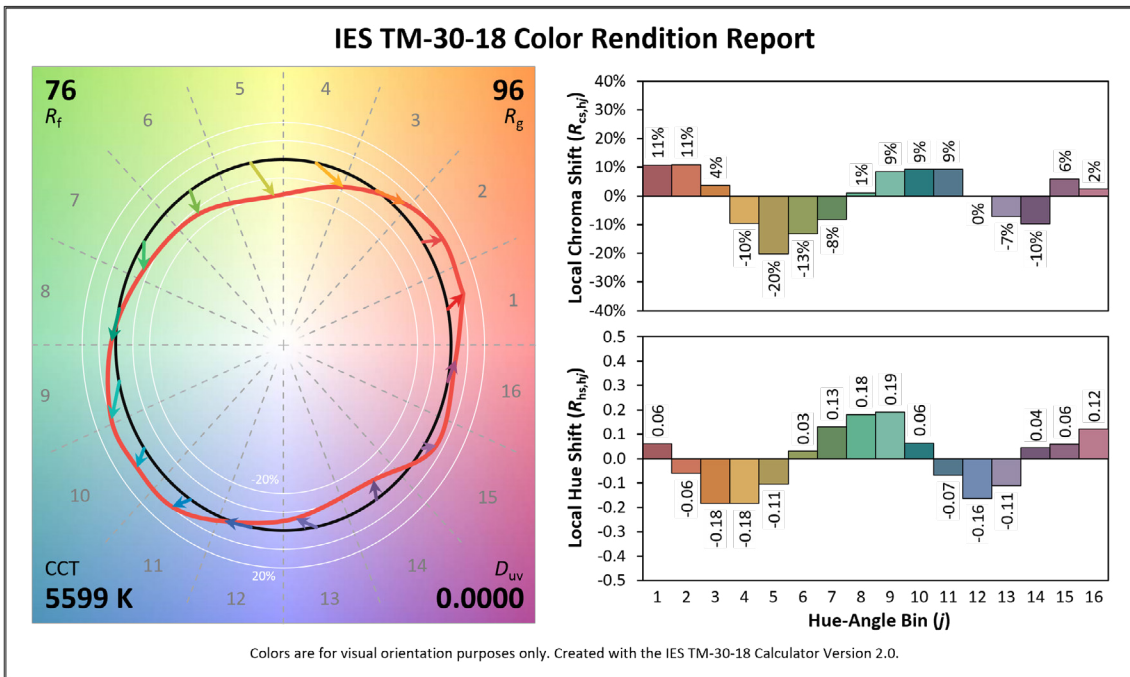
The custom four-color blend of LEDs incorporates a hint of lime to increase spectral reach and color depth.

COLOR METRIC INFORMATION

COLORSOURCE PAR JR 3200 K TM-30-18

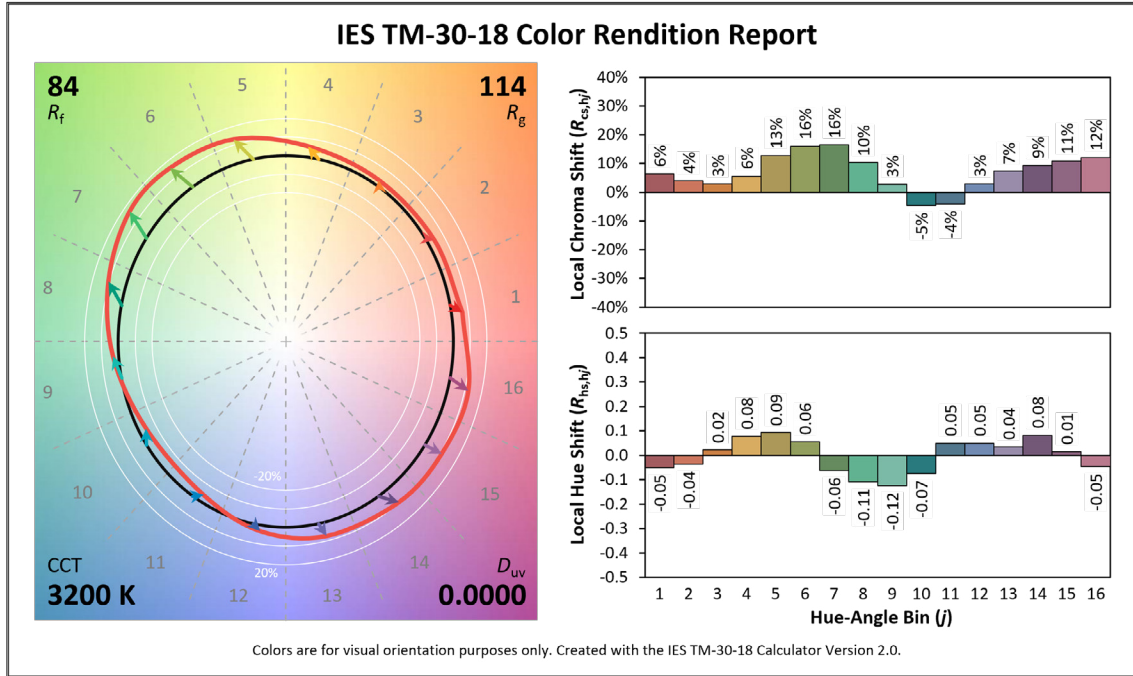


COLORSOURCE PAR JR 5600 K TM-30-18

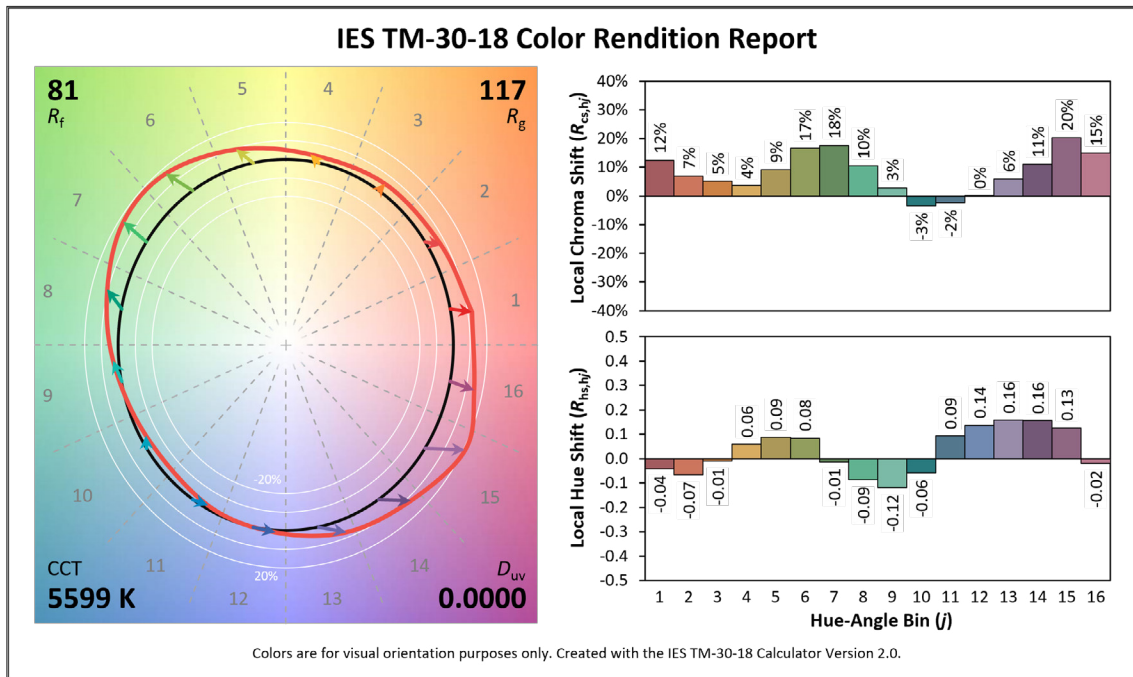


COLOR METRIC INFORMATION

COLORSOURCE PAR JR DEEP BLUE 3200 K TM-30-18



COLORSOURCE PAR JR DEEP BLUE 5600 K TM-30-18

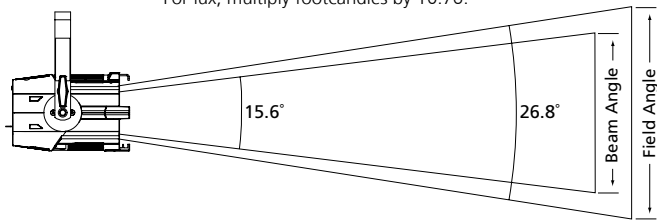


PHOTOMETRY INFORMATION

ColorSource PAR jr

| Mode | Degree | Candela | Field Lumens | Beam Lumens | Power Consumption (Watts) | Lumens Per Watt |
|----------------|--------|---------|--------------|-------------|---------------------------|-----------------|
| Full On Direct | 15.6 | 25,925 | 1,748 | 962 | 49.6 | 35.2 |
| 3200 K | 15.6 | 20,280 | 1,351 | 734 | 34.6 | 39.0 |
| 5600 K | 15.6 | 26,353 | 1,772 | 974 | 51.3 | 34.5 |

Metric conversions: For meters, multiply feet by 0.3048.
For lux, multiply footcandles by 10.76.



| Throw Distance (d) | 10 ft 3.0 m | 15 ft 4.6 m | 20 ft 6.1 m | 25 ft 7.6 m | 161 ft 49.1 m |
|--------------------|-----------------|-----------------|-----------------|------------------|------------------|
| Field Diameter | 4.8 ft 1.5 m | 7.2 ft 2.2 m | 9.5 ft 2.9 m | 11.9 ft 3.6 m | - |
| Illuminance (fc) | 337 | 150 | 84 | 54 | 1 |
| Illuminance (lux) | 3,627 | 1,612 | 907 | 580 | 10.76 |

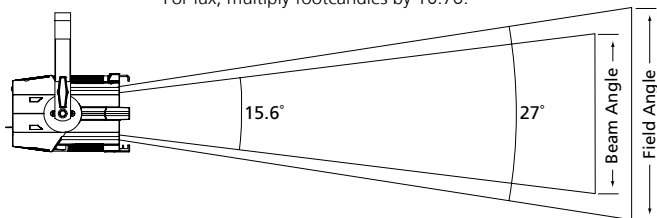
To determine center beam illumination in footcandles at any throw distance, divide candela by the throw distance squared.

For field diameter at any distance, multiply distance by 0.477.
For beam diameter at any distance, multiply by 0.274.

ColorSource PAR jr Deep Blue

| Mode | Degree | Candela | Field Lumens | Beam Lumens | Power Consumption (Watts) | Lumens Per Watt |
|----------------|--------|---------|--------------|-------------|---------------------------|-----------------|
| Full On Direct | 15.6 | 27,384 | 1,881 | 1,035 | 54.2 | 34.7 |
| 3200 K | 15.6 | 21,285 | 1,474 | 815 | 39.2 | 37.6 |
| 5600 K | 15.6 | 28,053 | 1,923 | 1,064 | 55.7 | 34.5 |

Metric conversions: For meters, multiply feet by 0.3048.
For lux, multiply footcandles by 10.76.

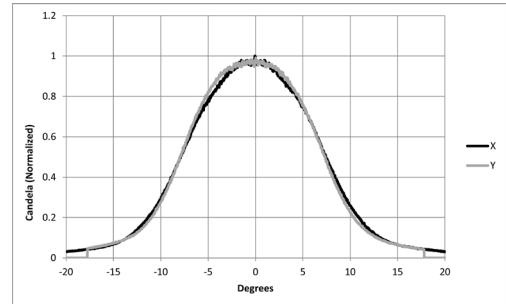


| Throw Distance (d) | 10 ft 3.0 m | 15 ft 4.6 m | 20 ft 6.1 m | 25 ft 7.6 m | 165.5 ft 50.4 m |
|--------------------|-----------------|-----------------|-----------------|----------------|--------------------|
| Field Diameter | 4.8 ft 1.5 m | 7.2 ft 2.2 m | 9.6 ft 2.9 m | 12 ft 3.7 m | |
| Illuminance (fc) | 274 | 122 | 68 | 44 | 1 |
| Illuminance (lux) | 2,948 | 1,310 | 737 | 472 | 10.76 |

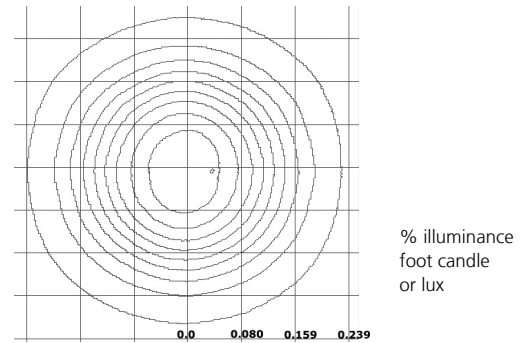
To determine center beam illumination in footcandles at any throw distance, divide candela by the throw distance squared.

For field diameter at any distance, multiply distance by 0.480.
For beam diameter at any distance, multiply by 0.274.

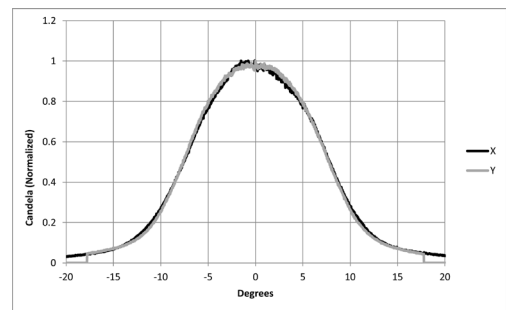
Candela Plot



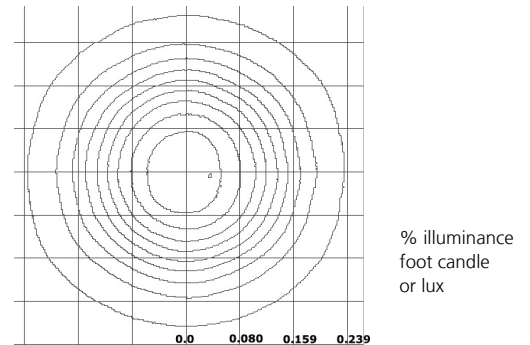
Iso-Illuminance Diagram (Flat Surface Distribution)



Candela Plot



Iso-Illuminance Diagram (Flat Surface Distribution)



ADDITIONAL ORDERING INFORMATION

Secondary Lens Options

The following lenses are cut for our luminaires and create round, linear or oblong field patterns as described below. Linear lenses may be combined to create desired field size.

| Model | Description | Part Number | |
|--|--------------------------------|-------------|--|
| Narrow Linear Field | | | |
| Linear lenses may be combined to create desired field size, i.e. 40° X 60° | | | |
| SELLN-D22 | 5.5 in/ 140 mm Narrow lens | 7411K1010 | |
| SELLM-D22 | 5.5 in/ 140 mm Medium lens | 7411K1011 | |
| SELLW-D22 | 5.5 in/ 140 mm Wide lens | 7411K1012 | |
| SELLXW-D22 | 5.5 in/ 140 mm Extra wide lens | 7411K1013 | |
| Round Field | | | |
| SELRN-D22 | 5.5 in/ 140 mm Narrow lens | 7411K1002 | |
| SELRM-D22 | 5.5 in/ 140 mm Medium lens | 7411K1003 | |
| SELRW-D22 | 5.5 in/ 140 mm Wide lens | 7411K1004 | |
| SELRXW-D22 | 5.5 in/ 140 mm Extra wide lens | 7411K1005 | |
| Oblong Field | | | |
| SELOM-D22 | 5.5 in/ 140 mm Narrow lens | 7411K1006 | |
| SELOM-D22 | 5.5 in/ 140 mm Medium lens | 7411K1007 | |
| SELOW-D22 | 5.5 in/ 140 mm Wide lens | 7411K1008 | |

Fixture Accessories

| Model | Description | Part Number | |
|------------|--|--------------------|--|
| SELD22BD | Barn door (Use only as a flexible top hat to diminish aperture glare. Not for beam shaping.) | PSF1113 | |
| SELD22CF | 5.5 in Color frame (use for round and oblong lenses) | PSF1114 | |
| SELD22ECL | Egg crate louver | PSF1111 | |
| SELD22HS | Half-shield | PSF1112 | |
| CSPARJRFSY | Yoke with floor stand attachment | 7420K1001 | |
| 400CC | C-clamp (does not ship with fixture) | 7060A2009 (not CE) | |
| 400SC | Safety cable (30 in / 762 mm) | 7060A1022 | |
| DPSJ-25 | 25 ft / 7.6 m powerCON-to-Edison input power cable with inline switch | 7400B7030 (not CE) | |

Power Input Cables

Use information below to order 5 ft power input leads with factory-fitted connectors. CE fixtures ship with 2 m powerCON to bare end.

| Model | Description | Part Number (not CE) | |
|-------|--|----------------------|--|
| DPA-A | 5 ft / 1.5 m powerCON to parallel blade U-ground (Edison) connector | 7410B7037-A | |
| DPA-B | 5 ft / 1.5 m powerCON to 20 A two-pin and ground (stage-pin) connector | 7410B7037-B | |
| DPA-C | 5 ft / 1.5 m powerCON to grounded 20 A twistlock connector | 7410B7037-C | |
| DPA-X | 5 ft / 1.5 m powerCON to bare-end power input lead | 7410B7037-X | |

Note: One cable of your choice is included with each fixture.

Power Thru Jumpers

Power thru jumpers connect to output (thru) connectors to provide power to successive luminaires inline.

| Model | Description | Part Number | |
|---------|---|-------------|--|
| T1PJ-5 | 5 ft powerCON to powerCON fixture to fixture jumper (ETL only) | 7410B7020 | |
| T1PJ-10 | 10 ft powerCON to powerCON fixture to fixture jumper (ETL only) | 7410B7010 | |

PHYSICAL

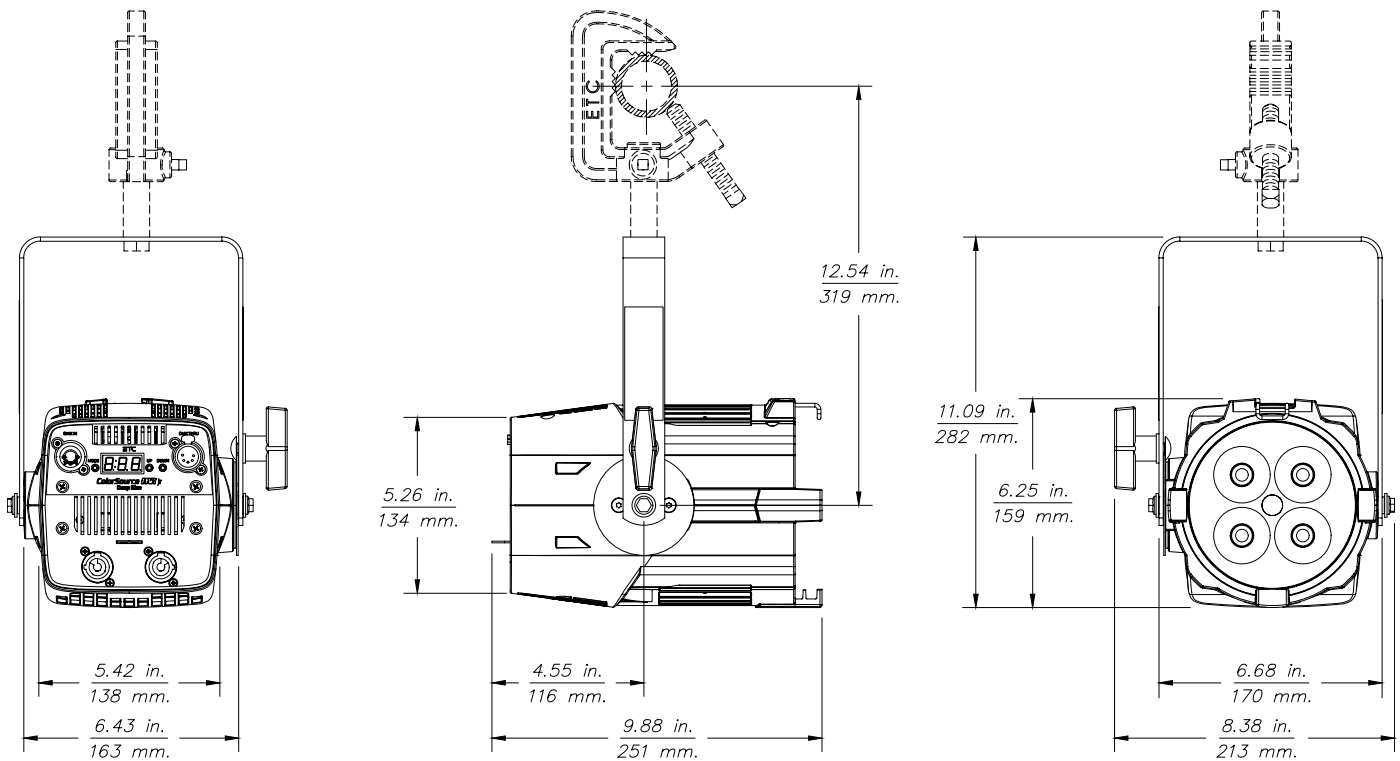
ColorSource PAR jr Dimensions

| Model | Height | | Width | | Depth | |
|--------------------|--------|-----|-------|-----|-------|-----|
| | in | mm | in | mm | in | mm |
| ColorSource PAR jr | 11.08 | 282 | 8.38 | 213 | 9.88 | 251 |

ColorSource PAR jr Weights

| Model | Weight | | Shipping Weight | |
|--------------------|--------|------|-----------------|------|
| | lb | kg | lb | kg |
| ColorSource PAR jr | 5.6 | 2.54 | 8 | 3.63 |

COLORSOURCE PAR JR



Corporate Headquarters • Middleton, WI USA
 Global Offices • London, UK • Rome, IT • Holzkirchen, DE • Paris, FR • Hong Kong
 Dubai, UAE • Singapore • New York, NY • Orlando, FL • Los Angeles, CA • Austin, TX
 ©2024 ETC. All Rights Reserved. All product information and specifications subject to change. Rev B 2024-04
 *Trademark and patent info: etconnect.com/IP • Third-party license agreement info: etconnect.com/licenses