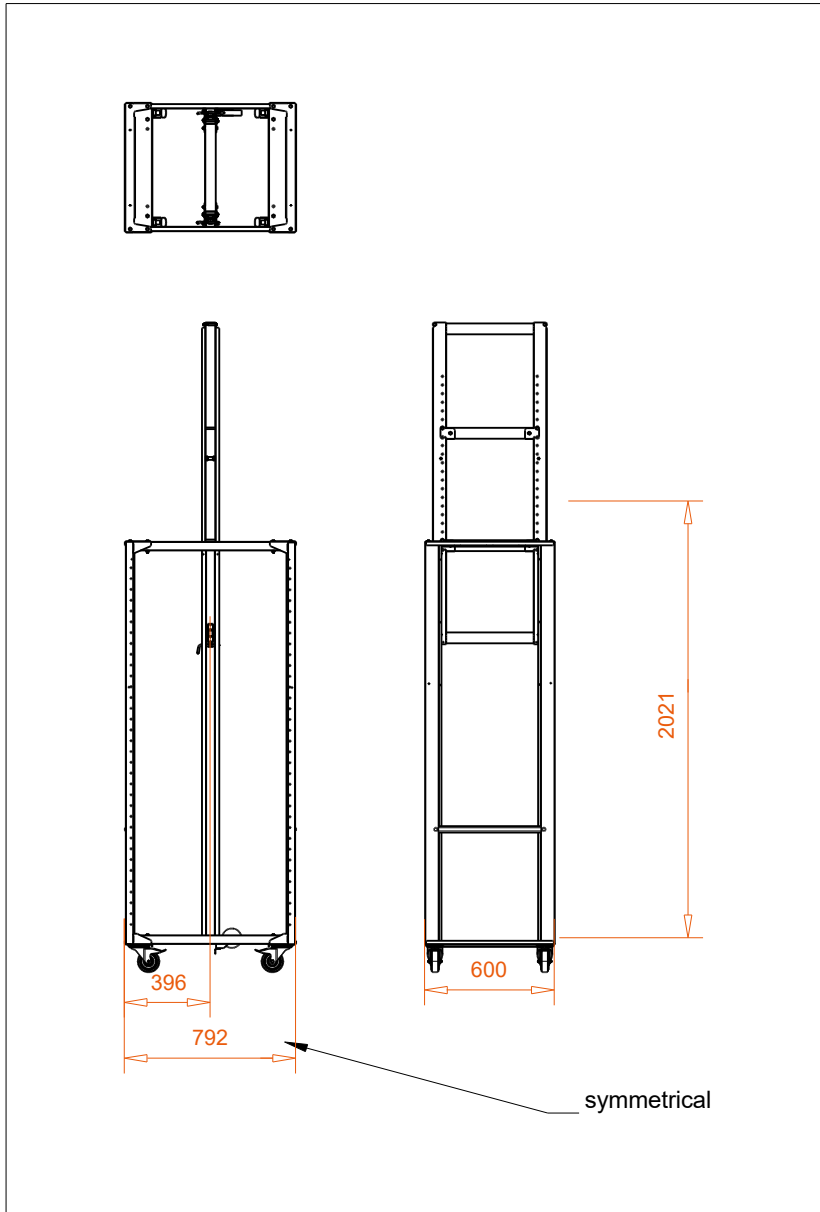
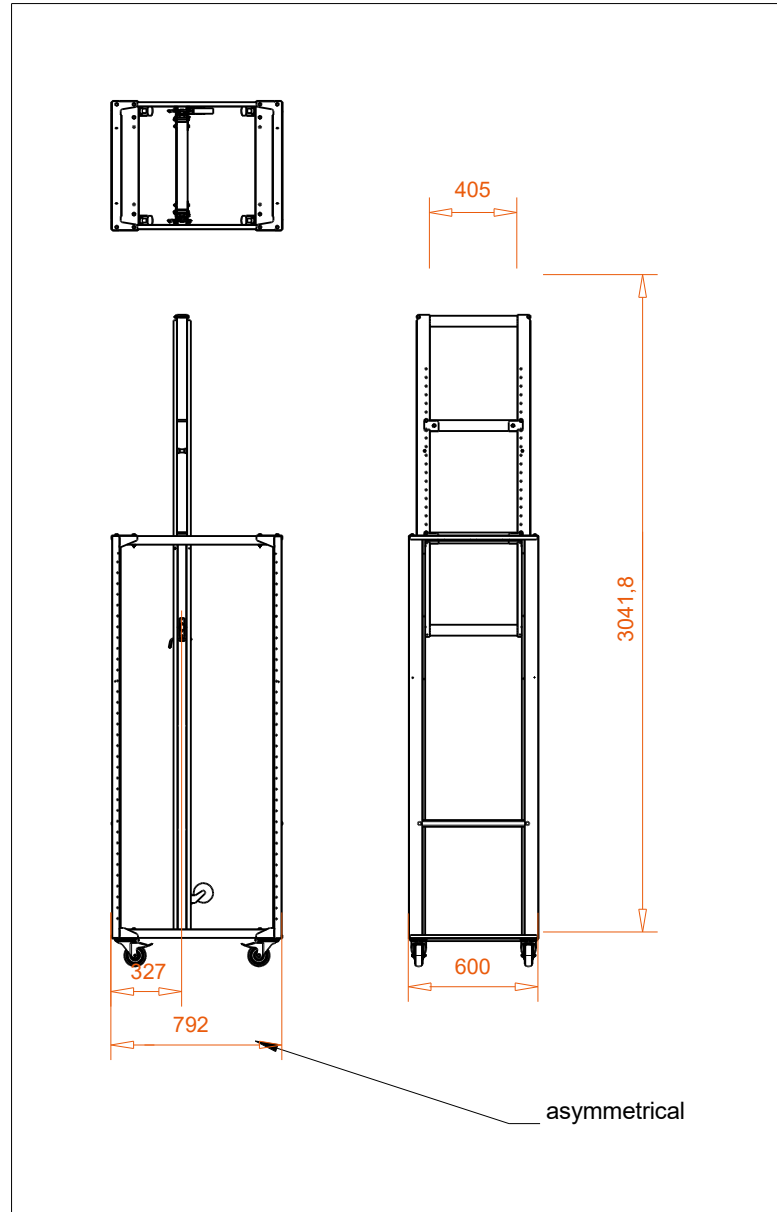


SYMMETRICAL



ASYMMETRICAL



Optional
By mounting an extra tube in the bottom side of the Sidelight tower you can create a shinlight.

Product: Sidelight tower. symetrical and asymetrical

Code: WAM2J10 / WAM2J11

