

# ASSEMBLY KIT STRONG GIRL

## ZEM2SV36

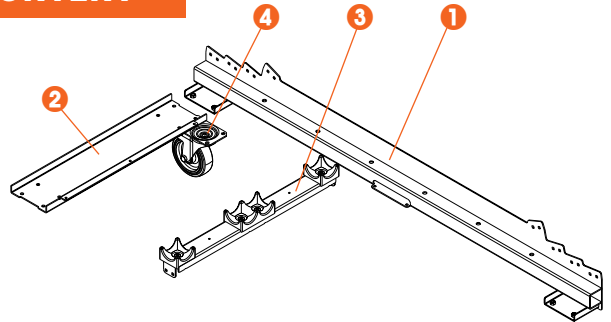


Admiral Staging Essentials the Netherlands  
[www.admiralstaging.com](http://www.admiralstaging.com) +31 534 301 201

### SCOPE

The intended use of ADMIRAL Strong Girl is to transport 30 or 40 circular truss sections with a square cross section. The diameter may vary from 2,5 m up to 20 m, where the length of the truss sections does not exceed 3 m.

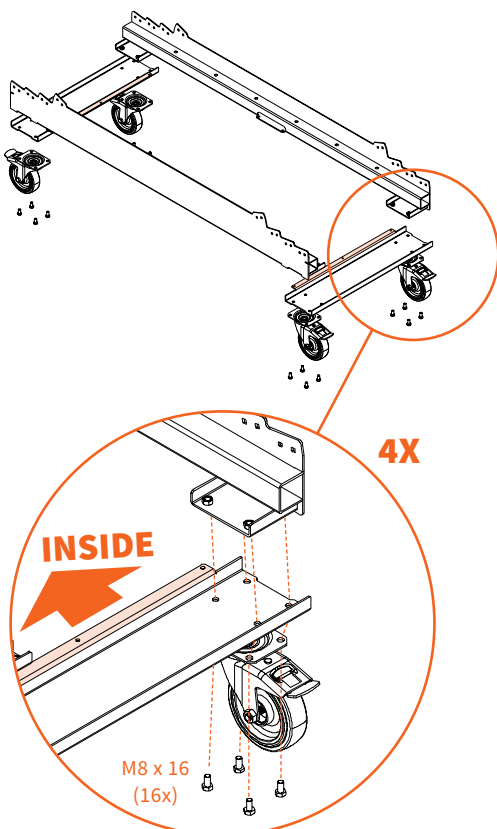
### CONTENT



- 1 Length profile: ZEWASGL15  
(length profile strong girl)
- 2 Width profile: 30 truss: ZEWASGW3  
40 truss: ZEWASGW4
- 3 Truss carrier: 30 truss: WASGC30  
40 truss: WASGC40
- 4 Castor: 125 with break: ZEWACW24
- 5 Bolt set: ZEM2SV36

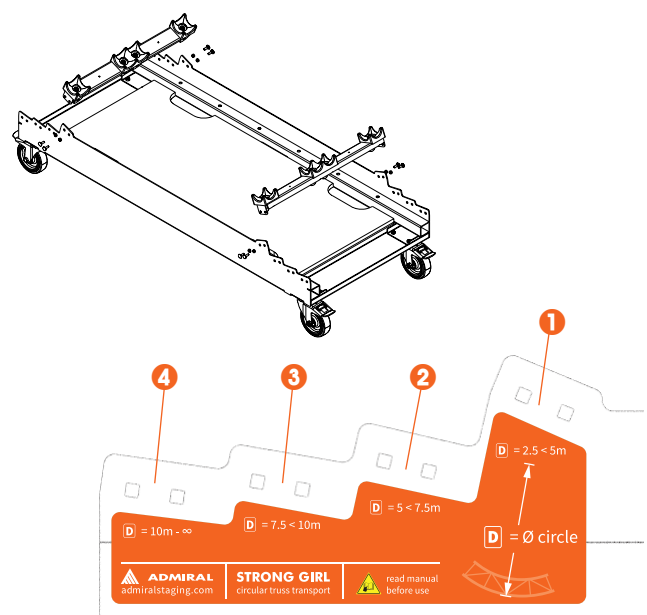
### ASSEMBLY

#### STEP 1 BUILDING THE FRAME



#### STEP 2 PLACE THE TRUSS CARRIER

First, determine the location of the carrier using the table.



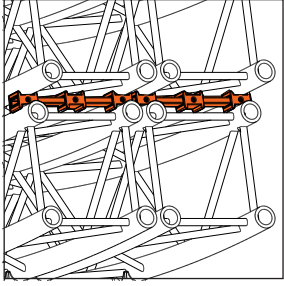
Ø of truss circle is:

- 1 2.5m up to 5m
- 2 5m up to 7.5m
- 3 7.5m up to 10m
- 4 > 10m

## LOADING AND SAFETY

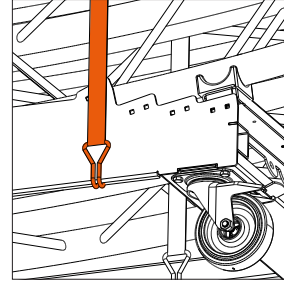
### OPTION 1

Use ADMIRAL truss carriers to load the truss.

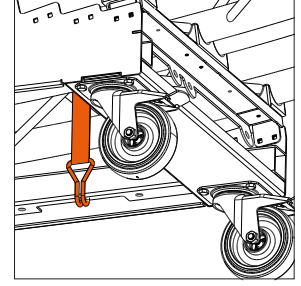


### ALWAYS SECURE THE LOAD

Use ADMIRAL truss carriers to load the truss.



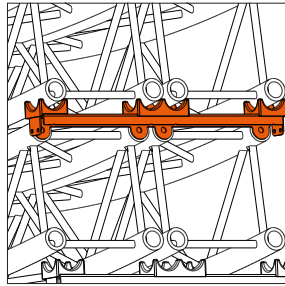
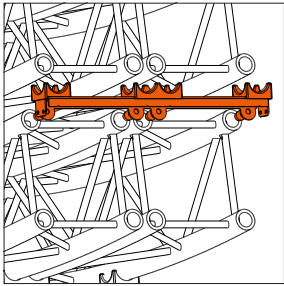
Outside the frame



Inside the frame

### OPTION 2

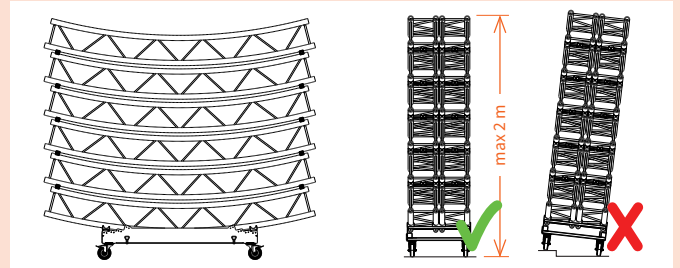
If the diameter of your truss is too small for a regular truss carrier, use a Strong Girl truss carrier (WASGC30 for 30 truss or WASGC40 for 40 truss) with 4 half conical couplers added.



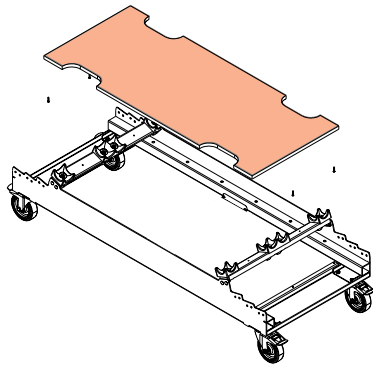
### ! WARNING

Don't load higher than 2 meters to prevent instability. Always keep the dolly on a flat surface

WLL  
200 kg

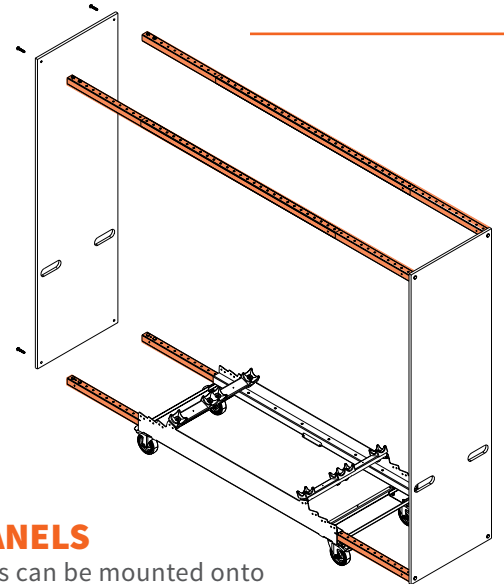


### OPTIONAL



### STORAGE PLATE

A bottom plate can be assembled for transporting carriers and straps onto the Strong Girl. Holes for screws are already available on the frame. Make cuttings into the plank in order to keep the inside slots for your cable straps open.



### SIDE PANELS

Side panels can be mounted onto the frame, by using the Admiral Freedom profiles.

## MAINTENANCE

The Strong Girl hardly needs any maintenance under normal use and environmental circumstances. For safety reasons however, all parts must be checked regularly for dirt, damages, loss and corrosion.

- Check all components for damage and corrosion. Damaged and corroded parts shall be rejected and thrown away.
- Remove all sharp edges and burrs with a piece of sanding paper.

Replaced component shall be genuine ADMIRAL only. Check Content 4 for replacement parts.