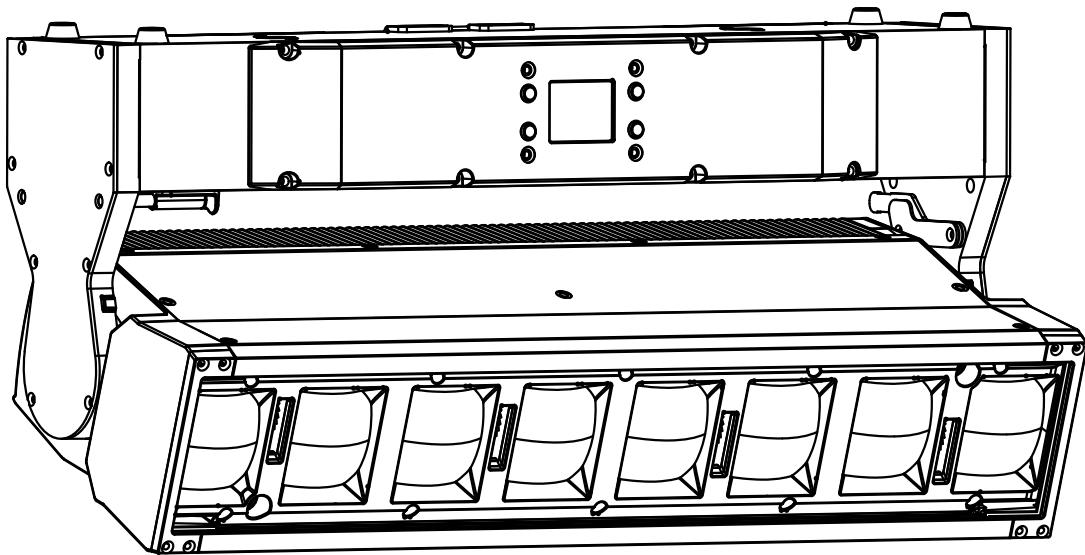


COLORADO PXL BAR₈

Quick Reference Guide

English	EN
Español	ES
Français	FR
Deutsch	DE
Nederlands	NL



Model ID: COLORADOPXLBAR8


CHAUVET
PROFESSIONAL

About This Guide

The COLORado PXL Bar 8 Quick Reference Guide (QRG) has basic product information such as connection, mounting, menu options, and DMX values. Download the User Manual from www.chauvetprofessional.com for more details.

Disclaimer

The information and specifications contained in this QRG are subject to change without notice.

LIMITED WARRANTY

FOR WARRANTY REGISTRATION AND COMPLETE TERMS AND CONDITIONS PLEASE VISIT OUR WEBSITE.

For Customers in the United States and Mexico: www.chauvetlighting.com/warranty-registration.

For Customers in the United Kingdom, Republic of Ireland, Belgium, the Netherlands, Luxembourg, France, and Germany: www.chauvetlighting.eu/warranty-registration.

Chauvet warrants that this product shall be free from defects in material and workmanship under normal use, for the period specified in, and subject to the exclusions and limitations set forth in the full limited warranty on our website. This warranty extends only to the original purchaser of the product and is not transferable. To exercise rights under this warranty, you must provide proof of purchase in the form of an original sales receipt from an authorized dealer that shows the product name and date of purchase. THERE ARE NO OTHER EXPRESS OR IMPLIED WARRANTIES. This warranty gives you specific legal rights. You may also have other rights that vary from state to state and country to country. This warranty is valid only in the United States, United Kingdom, Republic of Ireland, Belgium, the Netherlands, Luxembourg, France, Germany and Mexico. For warranty terms in other countries, please consult your local distributor.

Safety Notes

These Safety Notes include important information about installation, use, and maintenance.

- DO NOT open this product. It contains no user-serviceable parts.
- DO NOT look at the light source when the product is on.
- DO NOT leave any flammable material within 20 cm of this product while operating or connected to power.
- DO NOT operate this product if the housing, lenses, or cables appear damaged.
- DO NOT connect this product to a dimmer or rheostat.
- DO NOT submerge this product. Temporary outdoor operation is fine (IP65).
- Not for permanent outdoor installation in locations with extreme environmental conditions. This includes, but is not limited to:
 - Exposure to a marine/saline environment (within 3 miles of a saltwater body of water).
 - Where the normal high or low temperatures of the location exceed the temperature ranges in this manual.
 - Locations that are prone to flooding or being buried in snow.
 - Other areas where the product will be subject to extreme radiation or caustic substances.
- CAUTION: When transferring product from extreme temperature environments, (e.g., cold truck to warm humid ballroom) condensation may form on the internal electronics of the product. To avoid causing a failure, allow product to fully acclimate to the surrounding environment before connecting it to power.
- CAUTION: This product's housing may be hot when lights are operating.
- USE a safety cable when mounting this product overhead.
- ONLY connect this product to a grounded and protected circuit.
- ONLY use the hanging/mounting bracket to carry this product.
- Mount this product in a location with adequate ventilation, at least 8 in (20 cm) from adjacent surfaces.
- The product is not intended for permanent installation.
- To eliminate unnecessary wear and improve its lifespan, during periods of non-use completely disconnect the product from power via breaker or by unplugging it.
- In the event of a serious operating problem, stop using immediately.
- The maximum ambient temperature is 113 °F (45 °C). Do not operate this product at higher temperatures.
- The luminaire should be positioned so that prolonged staring into the luminaire at a distance closer than 10 ft (3 m) is not expected.
- If the external flexible cable or cord of this luminaire is damaged, it shall be replaced by a special cord or cord exclusively available from the manufacturer or his service agent.
- The light source contained in this luminaire shall only be replaced by the manufacturer or his service agent or a similar qualified person.
- The luminaire is intended for professional use only.

FCC Compliance

This device complies with Part 15 Part B of the FCC rules. Operation is subject to the following two conditions:

1. This device may not cause harmful interference, and
2. This device must accept any interference received, including interference that may cause undesired operation.

Any changes or modifications not expressly approved by the party responsible for compliance could void the user's authority to operate the equipment.

Contact

Outside the U.S., U.K., Ireland, Benelux, France, Germany, or Mexico, contact your distributor to request support or return a product. Refer to [Contact Us](#) at the end of this QRG for contact information.

What is Included

- COLORado PXL Bar 8
- Seetronic Powerkon IP65 power cord
- 1 Omega bracket with mounting hardware
- Quick Reference Guide

AC Power

This product has an auto-ranging power supply that can work with an input voltage range of 100–240 V~, 50/60 Hz.

Power Linking

It is possible to power link up to 1 COLORado PXL Bar 8 products at 100 V, 3 products at 120 V, 5 products at 208 V, 6 products at 230 V, or up to 6 products at 240 V. Never exceed this number. Power-linking cables can be purchased separately.

AC Plug

Connection	Wire (U.S.)	Wire (Europe)	Screw Color
AC Live	Black	Brown	Yellow/Brass
AC Neutral	White	Blue	Silver
AC Ground	Green/Yellow	Green/Yellow	Green



To eliminate unnecessary wear and improve its lifespan, during periods of non-use completely disconnect the product from power via breaker or by unplugging it.

Signal Connection

The COLORado PXL Bar 8 can be linked to a controller or controller software using a DMX connection, an Ethernet connection, or both. If using other Art-Net™, sACN, or Kling-Net -compatible products with the COLORado PXL Bar 8, you can control each individually on a single network. See the User Manual for information about how to connect and configure the product for these signals.

Control Personalities

The COLORado PXL Bar 8 uses DMX, Art-Net™, sACN, and Kling-Net for its control personalities:

Single Mode	Dual Mode Movement	Dual Mode LED
Basic (19 channels)	Basic (7 channels)	Basic (24 channels)
Standard (51 channels)	Standard (19 channels)	Standard (32 channels)
Advanced (89 channels)	Advanced (25 channels)	Advanced (64 channels)
Tour (105 channels)	Uses DMX, Art-Net™, or sACN	Uses DMX, Art-Net™, sACN, or Kling-Net
Uses DMX, Art-Net™, or sACN		

DMX Connection

The COLORado PXL Bar 8 will work with a DMX controller using a 5-pin IP-rated DMX serial connection. A DMX Primer is available from www.chauvetprofessional.com.

RDM (Remote Device Management)

Remote Device Management, or RDM, is a standard for allowing DMX-enabled devices to communicate bi-directionally along existing DMX cabling. Check the DMX controller’s User Manual or with the manufacturer as not all DMX controllers have this capability. The COLORado PXL Bar 8 supports RDM protocol that allows feedback to make changes to menu map options. Download the User Manual from www.chauvetprofessional.com for more details.

Art-Net™ Connection

Art-Net™ is an Ethernet protocol that uses TCP/IP, which transfers a large amount of DMX512 data using an Amphenol XLR Net RJ45 connection over a large network. An Art-Net™ protocol document is available from www.chauvetprofessional.com. Chauvet Professional recommends using unicast Art-Net™ for best results.

Art-Net™ designed by and copyright Artistic Licence Holdings Ltd.

sACN Connection

Also known as ANSI E1.31, Streaming-ACN is an Ethernet protocol that uses the layering and formatting of Architecture for Control Networks to transport DMX512 data over IP or any other ACN-compatible network.

Kling-Net Connection

Kling-Net is a network protocol that allows autoconfiguration of display devices using a Neutrik® etherCON® RJ45 Ethernet connection. Refer to the ArKaos software manual for detailed instructions on programming this product.



- For smooth-running operation, ArKaos Kling-Net requires a gigabit (1,000 Mbps) Ethernet card and network router.
- ArKaos Kling-Net will only run Standard LED or Basic LED mode.

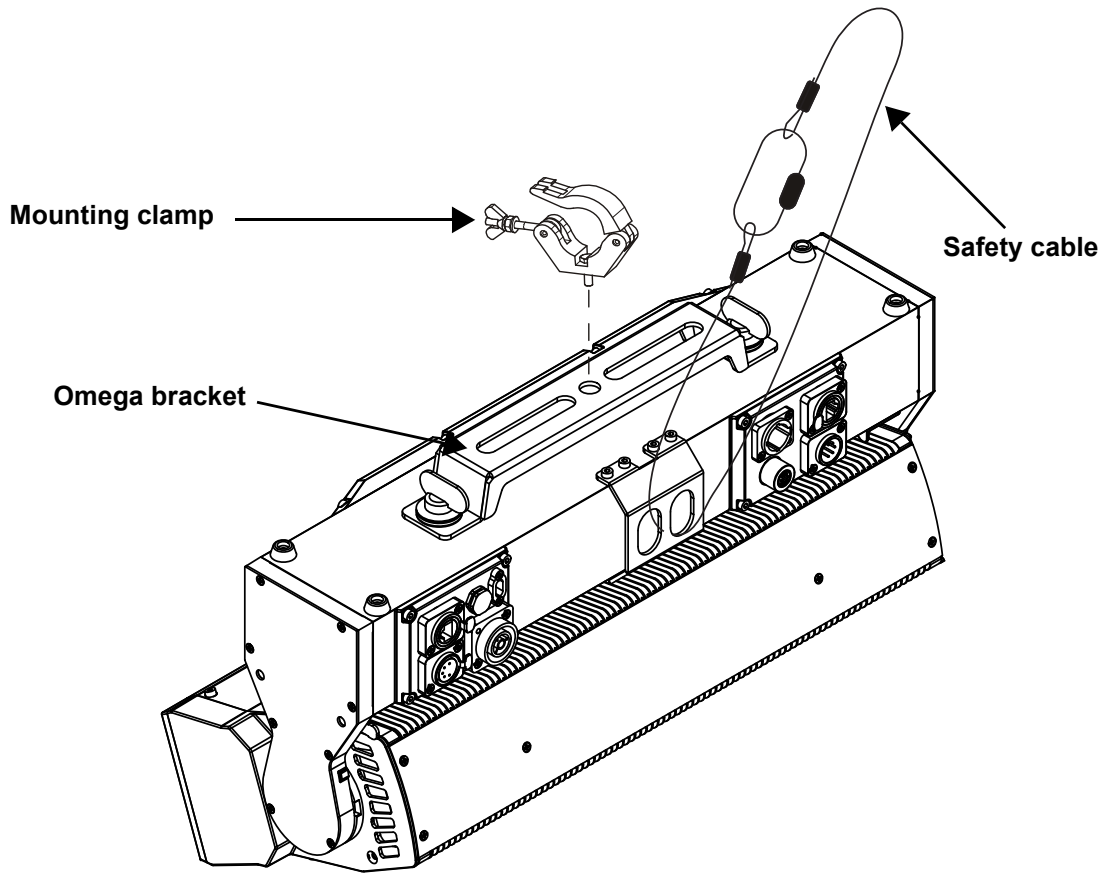
Master/Slave Connection

The COLORado PXL Bar 8 uses the DMX data connection for its master/slave mode. See the User Manual for information about how to connect and configure the product for master/slave operation.

Mounting

Before mounting this product, read the [Safety Notes](#). Use at least two mounting point per product. Make sure the mounting clamps are capable of supporting the weight of the product. For our Chauvet line of mounting clamps, go to <http://trusst.com/productcategory/truss-clamps/>.

Mounting Diagram



Control Panel Description

Button	Function
<MENU>	Exits from the current menu or function
<ENTER>	Enables the currently displayed menu or sets the currently selected value into the selected function
<UP>	Navigates upwards through the menu list or increases the numeric value when in a function
<DOWN>	Navigates downwards through the menu list or decreases the numeric value when in a function

Menu Map

Refer to the COLORado PXL Bar 8 product page on www.chauvetprofessional.com for the latest menu map.

Programming Levels				Description		
Control Settings				Control Settings Main Level		
Single Control	DMX	Personality	Basic	Sets the DMX personality (see Control Personalities)		
			Standard			
			Advanced			
			Tour			
		Start Address	0-512	Sets the DMX starting address		
	ArtNet	Personality	Basic	Sets the Art-Net™ personality (see Control Personalities)		
			Standard			
			Advanced			
			Tour			
			Start Address		0-512	Sets the Art-Net™ starting address
		Universe	0-255	Sets the Art-Net™ universe		
	sACN	Personality	Basic	Sets the sACN personality (see Control Personalities)		
			Standard			
			Advanced			
			Tour			
Start Address			0-512		Sets the sACN starting address	
	Universe	0-255	Sets the sACN universe			
Control Settings	Movement	DMX	Basic	Sets the DMX personality (see Control Personalities)		
			Standard			
			Advanced			
			Start Address		0-512	Sets the DMX starting address
		ArtNet	Personality	Basic	Sets the Art-Net™ personality (see Control Personalities)	
				Standard		
				Advanced		
				Start Address		0-512
			Universe	0-255	Sets the Art-Net™ universe	
		sACN	Personality	Basic	Sets the sACN personality (see Control Personalities)	
				Standard		
				Advanced		
	Start Address			0-512		Sets the sACN starting address
		Universe	0-255	Sets the sACN universe		
	Dual Control	LED	DMX	Basic	Sets the DMX personality (see Control Personalities)	
				Standard		
				Advanced		
				Start Address		0-512
			ArtNet	Personality	Basic	Sets the Art-Net™ personality (see Control Personalities)
					Standard	
		Advanced				
		Start Address			0-512	
			Universe	0-255	Sets the Art-Net™ universe	
		sACN	Personality	Basic	Sets the sACN personality (see Control Personalities)	
Standard						
Advanced						
Start Address	0-512			Sets the sACN starting address		
	Universe	0-255	Sets the sACN universe			
	KlingNet	Personality	Basic	Sets the Kling-Net personality (see Control Personalities)		
			Standard			

QUICK REFERENCE GUIDE



EN

Main Level	Programming Levels		Description	
	Auto Test		Auto test all functions	
	Manual Test	Tilt P/T Speed Red Green Blue White CTC Color Pattern LED Macro LED Ma. Speed LED Ma. Fade Background Background Dim. Dimmer Shutter Function Zoom1	000–255	
Run Mode			Manually control and test all settings through the control panel	
Setup	Network Settings	IP Mode	Manual	Manually sets IP address
			DHCP	Network sets IP address
			Static	Product sets IP address
		IP Byte 1–4	000–255	Sets IP address in Manual mode
		SubMask 1–4	000–255	Sets Subnet Mask in Manual mode
	Tilt Reverse		OFF	Normal tilt
			ON	Reversed tilt
	Zoom Reverse		OFF	Normal Zoom
			ON	Reversed Zoom
	Screen Reverse		NO	Normal display
			YES	Inverted display
			AUTO	Automatic display orientation
	Tilt Angle		200	200° tilt range
			180	180° tilt range
			60	60° tilt range
	BL. O. T Move		NO	Do not blackout while tilt
			YES	Blackout while tilt
	Backlight Timer		30S	Display turns off after 30 seconds
			1M	Display turns off after 1 minute
			5M	Display turns off after 5 minutes
			ON	Display stays on
	Loss of Data		Hold	Holds last signal received
			Close	Blacks out fixture
Fans		Auto	Fan speed according to product temperature	
		Full	Fan speed set on high	
		ECO	Quiet mode	
Defrost Fan		OFF	Activate defrost fan	
		ON	Deactivate defrost fan	
C Mixing Mode		RGBW	RGBW mode (additive)	
		CMY	CMY mode (subtractive)	

Main Level	Programming Levels		Description	
Setup	Dimmer Curve	Linear	Set the dimmer curve	
		Square		
		I Squa		
		SCurve		
	Dimmer Speed	Smooth	Set the dimmer speed	
		Fast		
	PWM Option	600Hz 1200Hz 2000Hz 4000Hz 6000Hz 15000Hz	Sets the Pulse Width Modulation frequency	
	Cell Order	1-8	Light activates from left to right	
		8-1	Light activates from right to left	
	Calibrated White	ON	Default light output temperature set to 7500K	
		OFF	Deactivates calibrated white setting	
		Custom	Adjust light output temperature using White Balance setting	
	White Balance	Red	000-255	Sets red LED maximum value
		Green		Sets green LED maximum value
		Blue		Sets blue LED maximum value
		White		Sets white LED maximum value
	Preset Select	PRESET A PRESET B PRESET C	Recorded preset menu options	
	Preset Sync	NO	Allows recorded preset menu options to be transferred to other COLORado PXL Bar 8 in the DMX daisy chain	
YES				
USB Update	NO	Enables/disables updating by USB		
	YES			
Reset Function	Tilt	NO	Reset individual functions or all functions from startup	
		YES		
	Zoom	NO		
		YES		
	All	NO		
		YES		
Factory Settings	NO	Reset to factory default settings		
	YES			
Information	Firmware Version		V_	Shows firmware version
	Running Mode		---	Shows current running mode
	Address		---	Shows current starting address
	Temperature		---	Shows current product temperature in °C
	Fixture Time		-----	Shows number of hours product has been powered on
	LED Hours			Shows total hours the LED has been powered on
	ArtNet Info	Ip	-----	Shows current IP address
		SubMask	-----	Shows current Subnet Mask
		MAC	-----	Shows current MAC address
	Device UID		-----	Shows product UID
	Fan Information	Head Fan 1-5	----	Shows speed of head fans 1-5 in rpm
		Defrost Fan 1	----	Shows speed of defrost fan in rpm
		Base Fan 1	----	Shows speed of base fan in rpm

DMX Values

Single Control: Tour Mode (105CH)

Channel	Function	Value	Percent/Setting
1	Tilt	000 ⇄ 255	0–100%
2	Fine tilt	000 ⇄ 255	0–100%
3	Tilt speed	000 ⇄ 255	0–100%
4	CTC	000 001 ⇄ 255	No function Color temperature, 1900–2700 K
5	Color	000 ⇄ 255	see Color Chart
6	Patterns (see Patterns)	000 001 ⇄ 215 216 ⇄ 255	No function Pattern 1–215 No function
7	LED macro	000 ⇄ 255	see LED Macro
8	LED macro speed	000 ⇄ 127 128 129 ⇄ 255	Auto speed, fast to slow clockwise Stop Auto speed, slow to fast counterclockwise
9	LED macro delay	000 ⇄ 255	Fast to slow
10	Background color	000 ⇄ 255	see Color Chart
11	Background color dimmer	000 ⇄ 255	0–100%
12	Background color fine dimmer	000 ⇄ 255	0–100%
13	Dimmer	000 ⇄ 255	0–100%
14	Fine dimmer	000 ⇄ 255	0–100%
15	Strobe	000 ⇄ 255	see Strobe Settings
16	Zoom	000 ⇄ 255	Zoom in to zoom out
17	Control	000 ⇄ 255	see Control Settings
18	Main red	000 ⇄ 255	RGBW Mode: 0–100% / CMY Mode: 100–0%
19	Main fine red	000 ⇄ 255	RGBW Mode: 0–100% / CMY Mode: 100–0%
20	Main green	000 ⇄ 255	RGBW Mode: 0–100% / CMY Mode: 100–0%
21	Main fine green	000 ⇄ 255	RGBW Mode: 0–100% / CMY Mode: 100–0%
22	Main blue	000 ⇄ 255	RGBW Mode: 0–100% / CMY Mode: 100–0%
23	Main fine blue	000 ⇄ 255	RGBW Mode: 0–100% / CMY Mode: 100–0%
24	Main white	000 ⇄ 255	RGBW Mode: 0–100% / CMY Mode: 100–0%
25	Main fine white	000 ⇄ 255	RGBW Mode: 0–100% / CMY Mode: 100–0%
26	Dimmer 1	000 ⇄ 255	0–100%
27	Fine dimmer 1	000 ⇄ 255	0–100%
28	Red 1 Cyan 1	000 ⇄ 255	RGBW Mode: 0–100% / CMY Mode: 100–0%
29	Fine red 1 Fine cyan 1	000 ⇄ 255	RGBW Mode: 0–100% / CMY Mode: 100–0%
30	Green 1 Magenta 1	000 ⇄ 255	RGBW Mode: 0–100% / CMY Mode: 100–0%
31	Fine green 1 Fine magenta 1	000 ⇄ 255	RGBW Mode: 0–100% / CMY Mode: 100–0%
32	Blue 1 Yellow 1	000 ⇄ 255	RGBW Mode: 0–100% / CMY Mode: 100–0%
33	Fine blue 1 Fine yellow 1	000 ⇄ 255	RGBW Mode: 0–100% / CMY Mode: 100–0%
34	White 1	000 ⇄ 255	RGBW Mode: 0–100% / CMY Mode: 100–0%
35	Fine white 1	000 ⇄ 255	RGBW Mode: 0–100% / CMY Mode: 100–0%
36	Dimmer 2	000 ⇄ 255	0–100%
37	Fine dimmer 2	000 ⇄ 255	0–100%
38	Red 2 Cyan 2	000 ⇄ 255	RGBW Mode: 0–100% / CMY Mode: 100–0%
39	Fine red 2 Fine cyan 2	000 ⇄ 255	RGBW Mode: 0–100% / CMY Mode: 100–0%
40	Green 2 Magenta 2	000 ⇄ 255	RGBW Mode: 0–100% / CMY Mode: 100–0%
41	Fine green 2 Fine magenta 2	000 ⇄ 255	RGBW Mode: 0–100% / CMY Mode: 100–0%
42	Blue 2 Yellow 2	000 ⇄ 255	RGBW Mode: 0–100% / CMY Mode: 100–0%
43	Fine blue 2 Fine yellow 2	000 ⇄ 255	RGBW Mode: 0–100% / CMY Mode: 100–0%
44	White 2	000 ⇄ 255	RGBW Mode: 0–100% / CMY Mode: 100–0%

Channel	Function	Value	Percent/Setting
45	Fine white 2	000 ⇔ 255	RGBW Mode: 0–100% / CMY Mode: 100–0%
46	Dimmer 3	000 ⇔ 255	0–100%
47	Fine dimmer 3	000 ⇔ 255	0–100%
48	Red 3 Cyan 3	000 ⇔ 255	RGBW Mode: 0–100% / CMY Mode: 100–0%
49	Fine red 3 Fine cyan 3	000 ⇔ 255	RGBW Mode: 0–100% / CMY Mode: 100–0%
50	Green 3 Magenta 3	000 ⇔ 255	RGBW Mode: 0–100% / CMY Mode: 100–0%
51	Fine green 3 Fine magenta 3	000 ⇔ 255	RGBW Mode: 0–100% / CMY Mode: 100–0%
52	Blue 3 Yellow 3	000 ⇔ 255	RGBW Mode: 0–100% / CMY Mode: 100–0%
53	Fine blue 3 Fine yellow 3	000 ⇔ 255	RGBW Mode: 0–100% / CMY Mode: 100–0%
54	White 3	000 ⇔ 255	RGBW Mode: 0–100% / CMY Mode: 100–0%
55	Fine white 3	000 ⇔ 255	RGBW Mode: 0–100% / CMY Mode: 100–0%
56	Dimmer 4	000 ⇔ 255	0–100%
57	Fine dimmer 4	000 ⇔ 255	0–100%
58	Red 4 Cyan 4	000 ⇔ 255	RGBW Mode: 0–100% / CMY Mode: 100–0%
59	Fine red 4 Fine cyan 4	000 ⇔ 255	RGBW Mode: 0–100% / CMY Mode: 100–0%
60	Green 4 Magenta 4	000 ⇔ 255	RGBW Mode: 0–100% / CMY Mode: 100–0%
61	Fine green 4 Fine magenta 4	000 ⇔ 255	RGBW Mode: 0–100% / CMY Mode: 100–0%
62	Blue 4 Yellow 4	000 ⇔ 255	RGBW Mode: 0–100% / CMY Mode: 100–0%
63	Fine blue 4 Fine yellow 4	000 ⇔ 255	RGBW Mode: 0–100% / CMY Mode: 100–0%
64	White 4	000 ⇔ 255	RGBW Mode: 0–100% / CMY Mode: 100–0%
65	Fine white 4	000 ⇔ 255	RGBW Mode: 0–100% / CMY Mode: 100–0%
66	Dimmer 5	000 ⇔ 255	0–100%
67	Fine dimmer 5	000 ⇔ 255	0–100%
68	Red 5 Cyan 5	000 ⇔ 255	RGBW Mode: 0–100% / CMY Mode: 100–0%
69	Fine red 5 Fine cyan 5	000 ⇔ 255	RGBW Mode: 0–100% / CMY Mode: 100–0%
70	Green 5 Magenta 5	000 ⇔ 255	RGBW Mode: 0–100% / CMY Mode: 100–0%
71	Fine green 5 Fine magenta 5	000 ⇔ 255	RGBW Mode: 0–100% / CMY Mode: 100–0%
72	Blue 5 Yellow 5	000 ⇔ 255	RGBW Mode: 0–100% / CMY Mode: 100–0%
73	Fine blue 5 Fine yellow 5	000 ⇔ 255	RGBW Mode: 0–100% / CMY Mode: 100–0%
74	White 5	000 ⇔ 255	RGBW Mode: 0–100% / CMY Mode: 100–0%
75	Fine white 5	000 ⇔ 255	RGBW Mode: 0–100% / CMY Mode: 100–0%
76	Dimmer 6	000 ⇔ 255	0–100%
77	Fine dimmer 6	000 ⇔ 255	0–100%
78	Red 6 Cyan 6	000 ⇔ 255	RGBW Mode: 0–100% / CMY Mode: 100–0%
79	Fine red 6 Fine cyan 6	000 ⇔ 255	RGBW Mode: 0–100% / CMY Mode: 100–0%
80	Green 6 Magenta 6	000 ⇔ 255	RGBW Mode: 0–100% / CMY Mode: 100–0%
81	Fine green 6 Fine magenta 6	000 ⇔ 255	RGBW Mode: 0–100% / CMY Mode: 100–0%
82	Blue 6 Yellow 6	000 ⇔ 255	RGBW Mode: 0–100% / CMY Mode: 100–0%
83	Fine blue 6 Fine yellow 6	000 ⇔ 255	RGBW Mode: 0–100% / CMY Mode: 100–0%
84	White 6	000 ⇔ 255	RGBW Mode: 0–100% / CMY Mode: 100–0%
85	Fine white 6	000 ⇔ 255	RGBW Mode: 0–100% / CMY Mode: 100–0%
86	Dimmer 7	000 ⇔ 255	0–100%
87	Fine dimmer 7	000 ⇔ 255	0–100%
88	Red 7 Cyan 7	000 ⇔ 255	RGBW Mode: 0–100% / CMY Mode: 100–0%
89	Fine red 7 Fine cyan 7	000 ⇔ 255	RGBW Mode: 0–100% / CMY Mode: 100–0%
90	Green 7 Magenta 7	000 ⇔ 255	RGBW Mode: 0–100% / CMY Mode: 100–0%
91	Fine green 7 Fine magenta 7	000 ⇔ 255	RGBW Mode: 0–100% / CMY Mode: 100–0%
92	Blue 7 Yellow 7	000 ⇔ 255	RGBW Mode: 0–100% / CMY Mode: 100–0%
93	Fine blue 7 Fine yellow 7	000 ⇔ 255	RGBW Mode: 0–100% / CMY Mode: 100–0%
94	White 7	000 ⇔ 255	RGBW Mode: 0–100% / CMY Mode: 100–0%
95	Fine white 7	000 ⇔ 255	RGBW Mode: 0–100% / CMY Mode: 100–0%

QUICK REFERENCE GUIDE



EN

Channel	Function	Value	Percent/Setting
96	Dimmer 8	000 ⇔ 255	0–100%
97	Fine dimmer 8	000 ⇔ 255	0–100%
98	Red 8 Cyan 8	000 ⇔ 255	RGBW Mode: 0–100% / CMY Mode: 100–0%
99	Fine red 8 Fine cyan 8	000 ⇔ 255	RGBW Mode: 0–100% / CMY Mode: 100–0%
100	Green 8 Magenta 8	000 ⇔ 255	RGBW Mode: 0–100% / CMY Mode: 100–0%
101	Fine green 8 Fine magenta 8	000 ⇔ 255	RGBW Mode: 0–100% / CMY Mode: 100–0%
102	Blue 8 Yellow 8	000 ⇔ 255	RGBW Mode: 0–100% / CMY Mode: 100–0%
103	Fine blue 8 Fine yellow 8	000 ⇔ 255	RGBW Mode: 0–100% / CMY Mode: 100–0%
104	White 8	000 ⇔ 255	RGBW Mode: 0–100% / CMY Mode: 100–0%
105	Fine white 8	000 ⇔ 255	RGBW Mode: 0–100% / CMY Mode: 100–0%

Single Control: Advanced Mode (89CH)

Channel	Function	Value	Percent/Setting
1	Tilt	000 ⇔ 255	0–100%
2	Fine tilt	000 ⇔ 255	0–100%
3	Tilt speed	000 ⇔ 255	0–100%
4	CTC	000	No function
		001 ⇔ 255	Color temperature, 1900–2700 K
5	Color	000 ⇔ 255	see Color Chart
6	Patterns (see Patterns)	000	No function
		001 ⇔ 215	Pattern 1–215
		216 ⇔ 255	No function
7	LED macro	000 ⇔ 255	see LED Macro
8	LED macro speed	000 ⇔ 127	Auto speed, fast to slow clockwise
		128	Stop
		129 ⇔ 255	Auto speed, slow to fast counterclockwise
9	LED macro delay	000 ⇔ 255	Fast to slow
10	Background color	000 ⇔ 255	see Color Chart
11	Background color dimmer	000 ⇔ 255	0–100%
12	Background color fine dimmer	000 ⇔ 255	0–100%
13	Dimmer	000 ⇔ 255	0–100%
14	Fine dimmer	000 ⇔ 255	0–100%
15	Strobe	000 ⇔ 255	see Strobe Settings
16	Zoom	000 ⇔ 255	Zoom in to zoom out
17	Control	000 ⇔ 255	see Control Settings
18	Main red	000 ⇔ 255	RGBW Mode: 0–100% / CMY Mode: 100–0%
19	Main fine red	000 ⇔ 255	RGBW Mode: 0–100% / CMY Mode: 100–0%
20	Main green	000 ⇔ 255	RGBW Mode: 0–100% / CMY Mode: 100–0%
21	Main fine green	000 ⇔ 255	RGBW Mode: 0–100% / CMY Mode: 100–0%
22	Main blue	000 ⇔ 255	RGBW Mode: 0–100% / CMY Mode: 100–0%
23	Main fine blue	000 ⇔ 255	RGBW Mode: 0–100% / CMY Mode: 100–0%
24	Main white	000 ⇔ 255	RGBW Mode: 0–100% / CMY Mode: 100–0%
25	Main fine white	000 ⇔ 255	RGBW Mode: 0–100% / CMY Mode: 100–0%
26	Red 1 Cyan 1	000 ⇔ 255	RGBW Mode: 0–100% / CMY Mode: 100–0%
27	Fine red 1 Fine cyan 1	000 ⇔ 255	RGBW Mode: 0–100% / CMY Mode: 100–0%
28	Green 1 Magenta 1	000 ⇔ 255	RGBW Mode: 0–100% / CMY Mode: 100–0%
29	Fine green 1 Fine magenta 1	000 ⇔ 255	RGBW Mode: 0–100% / CMY Mode: 100–0%
30	Blue 1 Yellow 1	000 ⇔ 255	RGBW Mode: 0–100% / CMY Mode: 100–0%
31	Fine blue 1 Fine yellow 1	000 ⇔ 255	RGBW Mode: 0–100% / CMY Mode: 100–0%
32	White 1	000 ⇔ 255	RGBW Mode: 0–100% / CMY Mode: 100–0%

Channel	Function	Value	Percent/Setting
33	Fine white 1	000 ⇔ 255	RGBW Mode: 0–100% / CMY Mode: 100–0%
34	Red 2 Cyan 2	000 ⇔ 255	RGBW Mode: 0–100% / CMY Mode: 100–0%
35	Fine red 2 Fine cyan 2	000 ⇔ 255	RGBW Mode: 0–100% / CMY Mode: 100–0%
36	Green 2 Magenta 2	000 ⇔ 255	RGBW Mode: 0–100% / CMY Mode: 100–0%
37	Fine green 2 Fine magenta 2	000 ⇔ 255	RGBW Mode: 0–100% / CMY Mode: 100–0%
38	Blue 2 Yellow 2	000 ⇔ 255	RGBW Mode: 0–100% / CMY Mode: 100–0%
39	Fine blue 2 Fine yellow 2	000 ⇔ 255	RGBW Mode: 0–100% / CMY Mode: 100–0%
40	White 2	000 ⇔ 255	RGBW Mode: 0–100% / CMY Mode: 100–0%
41	Fine white 2	000 ⇔ 255	RGBW Mode: 0–100% / CMY Mode: 100–0%
42	Red 3 Cyan 3	000 ⇔ 255	RGBW Mode: 0–100% / CMY Mode: 100–0%
43	Fine red 3 Fine cyan 3	000 ⇔ 255	RGBW Mode: 0–100% / CMY Mode: 100–0%
44	Green 3 Magenta 3	000 ⇔ 255	RGBW Mode: 0–100% / CMY Mode: 100–0%
45	Fine green 3 Fine magenta 3	000 ⇔ 255	RGBW Mode: 0–100% / CMY Mode: 100–0%
46	Blue 3 Yellow 3	000 ⇔ 255	RGBW Mode: 0–100% / CMY Mode: 100–0%
47	Fine blue 3 Fine yellow 3	000 ⇔ 255	RGBW Mode: 0–100% / CMY Mode: 100–0%
48	White 3	000 ⇔ 255	RGBW Mode: 0–100% / CMY Mode: 100–0%
49	Fine white 3	000 ⇔ 255	RGBW Mode: 0–100% / CMY Mode: 100–0%
50	Red 4 Cyan 4	000 ⇔ 255	RGBW Mode: 0–100% / CMY Mode: 100–0%
51	Fine red 4 Fine cyan 4	000 ⇔ 255	RGBW Mode: 0–100% / CMY Mode: 100–0%
52	Green 4 Magenta 4	000 ⇔ 255	RGBW Mode: 0–100% / CMY Mode: 100–0%
53	Fine green 4 Fine magenta 4	000 ⇔ 255	RGBW Mode: 0–100% / CMY Mode: 100–0%
54	Blue 4 Yellow 4	000 ⇔ 255	RGBW Mode: 0–100% / CMY Mode: 100–0%
55	Fine blue 4 Fine yellow 4	000 ⇔ 255	RGBW Mode: 0–100% / CMY Mode: 100–0%
56	White 4	000 ⇔ 255	RGBW Mode: 0–100% / CMY Mode: 100–0%
57	Fine white 4	000 ⇔ 255	RGBW Mode: 0–100% / CMY Mode: 100–0%
58	Red 5 Cyan 5	000 ⇔ 255	RGBW Mode: 0–100% / CMY Mode: 100–0%
59	Fine red 5 Fine cyan 5	000 ⇔ 255	RGBW Mode: 0–100% / CMY Mode: 100–0%
60	Green 5 Magenta 5	000 ⇔ 255	RGBW Mode: 0–100% / CMY Mode: 100–0%
61	Fine green 5 Fine magenta 5	000 ⇔ 255	RGBW Mode: 0–100% / CMY Mode: 100–0%
62	Blue 5 Yellow 5	000 ⇔ 255	RGBW Mode: 0–100% / CMY Mode: 100–0%
63	Fine blue 5 Fine yellow 5	000 ⇔ 255	RGBW Mode: 0–100% / CMY Mode: 100–0%
64	White 5	000 ⇔ 255	RGBW Mode: 0–100% / CMY Mode: 100–0%
65	Fine white 5	000 ⇔ 255	RGBW Mode: 0–100% / CMY Mode: 100–0%
66	Red 6 Cyan 6	000 ⇔ 255	RGBW Mode: 0–100% / CMY Mode: 100–0%
67	Fine red 6 Fine cyan 6	000 ⇔ 255	RGBW Mode: 0–100% / CMY Mode: 100–0%
68	Green 6 Magenta 6	000 ⇔ 255	RGBW Mode: 0–100% / CMY Mode: 100–0%
69	Fine green 6 Fine magenta 6	000 ⇔ 255	RGBW Mode: 0–100% / CMY Mode: 100–0%
70	Blue 6 Yellow 6	000 ⇔ 255	RGBW Mode: 0–100% / CMY Mode: 100–0%
71	Fine blue 6 Fine yellow 6	000 ⇔ 255	RGBW Mode: 0–100% / CMY Mode: 100–0%
72	White 6	000 ⇔ 255	RGBW Mode: 0–100% / CMY Mode: 100–0%
73	Fine white 6	000 ⇔ 255	RGBW Mode: 0–100% / CMY Mode: 100–0%
74	Red 7 Cyan 7	000 ⇔ 255	RGBW Mode: 0–100% / CMY Mode: 100–0%
75	Fine red 7 Fine cyan 7	000 ⇔ 255	RGBW Mode: 0–100% / CMY Mode: 100–0%
76	Green 7 Magenta 7	000 ⇔ 255	RGBW Mode: 0–100% / CMY Mode: 100–0%
77	Fine green 7 Fine magenta 7	000 ⇔ 255	RGBW Mode: 0–100% / CMY Mode: 100–0%
78	Blue 7 Yellow 7	000 ⇔ 255	RGBW Mode: 0–100% / CMY Mode: 100–0%
79	Fine blue 7 Fine yellow 7	000 ⇔ 255	RGBW Mode: 0–100% / CMY Mode: 100–0%
80	White 7	000 ⇔ 255	RGBW Mode: 0–100% / CMY Mode: 100–0%
81	Fine white 7	000 ⇔ 255	RGBW Mode: 0–100% / CMY Mode: 100–0%
82	Red 8 Cyan 8	000 ⇔ 255	RGBW Mode: 0–100% / CMY Mode: 100–0%
83	Fine red 8 Fine cyan 8	000 ⇔ 255	RGBW Mode: 0–100% / CMY Mode: 100–0%

QUICK REFERENCE GUIDE



EN

Channel	Function	Value	Percent/Setting
84	Green 8 Magenta 8	000 ⇔ 255	RGBW Mode: 0–100% / CMY Mode: 100–0%
85	Fine green 8 Fine magenta 8	000 ⇔ 255	RGBW Mode: 0–100% / CMY Mode: 100–0%
86	Blue 8 Yellow 8	000 ⇔ 255	RGBW Mode: 0–100% / CMY Mode: 100–0%
87	Fine blue 8 Fine yellow 8	000 ⇔ 255	RGBW Mode: 0–100% / CMY Mode: 100–0%
88	White 8	000 ⇔ 255	RGBW Mode: 0–100% / CMY Mode: 100–0%
89	Fine white 8	000 ⇔ 255	RGBW Mode: 0–100% / CMY Mode: 100–0%

Single Control: Standard Mode (51CH)

Channel	Function	Value	Percent/Setting
1	Tilt	000 ⇔ 255	0–100%
2	Fine tilt	000 ⇔ 255	0–100%
3	Tilt speed	000 ⇔ 255	0–100%
4	CTC	000	No function
		001 ⇔ 255	Color temperature, 1900–2700 K
5	Color	000 ⇔ 255	see Color Chart
6	Patterns (see Patterns)	000	No function
		001 ⇔ 215	Pattern 1–215
		216 ⇔ 255	No function
7	LED macro	000 ⇔ 255	see LED Macro
8	LED macro speed	000 ⇔ 127	Auto speed, fast to slow clockwise
		128	Stop
		129 ⇔ 255	Auto speed, slow to fast counterclockwise
9	LED macro delay	000 ⇔ 255	Fast to slow
10	Background color	000 ⇔ 255	see Color Chart
11	Background color dimmer	000 ⇔ 255	0–100%
12	Dimmer	000 ⇔ 255	0–100%
13	Strobe	000 ⇔ 255	see Strobe Settings
14	Zoom	000 ⇔ 255	Zoom in to zoom out
15	Control	000 ⇔ 255	see Control Settings
16	Main red	000 ⇔ 255	RGBW Mode: 0–100% / CMY Mode: 100–0%
17	Main green	000 ⇔ 255	RGBW Mode: 0–100% / CMY Mode: 100–0%
18	Main blue	000 ⇔ 255	RGBW Mode: 0–100% / CMY Mode: 100–0%
19	Main white	000 ⇔ 255	RGBW Mode: 0–100% / CMY Mode: 100–0%
20	Red 1 Cyan 1	000 ⇔ 255	RGBW Mode: 0–100% / CMY Mode: 100–0%
21	Green 1 Magenta 1	000 ⇔ 255	RGBW Mode: 0–100% / CMY Mode: 100–0%
22	Blue 1 Yellow 1	000 ⇔ 255	RGBW Mode: 0–100% / CMY Mode: 100–0%
23	White 1	000 ⇔ 255	RGBW Mode: 0–100% / CMY Mode: 100–0%
24	Red 2 Cyan 2	000 ⇔ 255	RGBW Mode: 0–100% / CMY Mode: 100–0%
25	Green 2 Magenta 2	000 ⇔ 255	RGBW Mode: 0–100% / CMY Mode: 100–0%
26	Blue 2 Yellow 2	000 ⇔ 255	RGBW Mode: 0–100% / CMY Mode: 100–0%
27	White 2	000 ⇔ 255	RGBW Mode: 0–100% / CMY Mode: 100–0%
28	Red 3 Cyan 3	000 ⇔ 255	RGBW Mode: 0–100% / CMY Mode: 100–0%
29	Green 3 Magenta 3	000 ⇔ 255	RGBW Mode: 0–100% / CMY Mode: 100–0%
30	Blue 3 Yellow 3	000 ⇔ 255	RGBW Mode: 0–100% / CMY Mode: 100–0%
31	White 3	000 ⇔ 255	RGBW Mode: 0–100% / CMY Mode: 100–0%
32	Red 4 Cyan 4	000 ⇔ 255	RGBW Mode: 0–100% / CMY Mode: 100–0%
33	Green 4 Magenta 4	000 ⇔ 255	RGBW Mode: 0–100% / CMY Mode: 100–0%
34	Blue 4 Yellow 4	000 ⇔ 255	RGBW Mode: 0–100% / CMY Mode: 100–0%
35	White 4	000 ⇔ 255	RGBW Mode: 0–100% / CMY Mode: 100–0%
36	Red 5 Cyan 5	000 ⇔ 255	RGBW Mode: 0–100% / CMY Mode: 100–0%

Channel	Function	Value	Percent/Setting
37	Green 5 Magenta 5	000 ⇄ 255	RGBW Mode: 0–100% / CMY Mode: 100–0%
38	Blue 5 Yellow 5	000 ⇄ 255	RGBW Mode: 0–100% / CMY Mode: 100–0%
39	White 5	000 ⇄ 255	RGBW Mode: 0–100% / CMY Mode: 100–0%
40	Red 6 Cyan 6	000 ⇄ 255	RGBW Mode: 0–100% / CMY Mode: 100–0%
41	Green 6 Magenta 6	000 ⇄ 255	RGBW Mode: 0–100% / CMY Mode: 100–0%
42	Blue 6 Yellow 6	000 ⇄ 255	RGBW Mode: 0–100% / CMY Mode: 100–0%
43	White 6	000 ⇄ 255	RGBW Mode: 0–100% / CMY Mode: 100–0%
44	Red 7 Cyan 7	000 ⇄ 255	RGBW Mode: 0–100% / CMY Mode: 100–0%
45	Green 7 Magenta 7	000 ⇄ 255	RGBW Mode: 0–100% / CMY Mode: 100–0%
46	Blue 7 Yellow 7	000 ⇄ 255	RGBW Mode: 0–100% / CMY Mode: 100–0%
47	White 7	000 ⇄ 255	RGBW Mode: 0–100% / CMY Mode: 100–0%
48	Red 8 Cyan 8	000 ⇄ 255	RGBW Mode: 0–100% / CMY Mode: 100–0%
49	Green 8 Magenta 8	000 ⇄ 255	RGBW Mode: 0–100% / CMY Mode: 100–0%
50	Blue 8 Yellow 8	000 ⇄ 255	RGBW Mode: 0–100% / CMY Mode: 100–0%
51	White 8	000 ⇄ 255	RGBW Mode: 0–100% / CMY Mode: 100–0%

Single Control: Basic Mode (19CH)

Channel	Function	Value	Percent/Setting
1	Tilt	000 ⇄ 255	0–100%
2	Fine tilt	000 ⇄ 255	0–100%
3	Tilt speed	000 ⇄ 255	0–100%
4	CTC	000 001 ⇄ 255	No function Color temperature, 1900–2700 K
5	Color	000 ⇄ 255	see Color Chart
6	Patterns (see Patterns)	000 001 ⇄ 215 216 ⇄ 255	No function Pattern 1–215 No function
7	LED macro	000 ⇄ 255	see LED Macro
8	LED macro speed	000 ⇄ 127 128 129 ⇄ 255	Auto speed, fast to slow clockwise Stop Auto speed, slow to fast counterclockwise
9	LED macro delay	000 ⇄ 255	Fast to slow
10	Background color	000 ⇄ 255	see Color Chart
11	Background color dimmer	000 ⇄ 255	0–100%
12	Dimmer	000 ⇄ 255	0–100%
13	Strobe	000 ⇄ 255	see Strobe Settings
14	Zoom	000 ⇄ 255	Zoom in to zoom out
15	Control	000 ⇄ 255	see Control Settings
16	Red	000 ⇄ 255	RGBW Mode: 0–100% / CMY Mode: 100–0%
17	Green	000 ⇄ 255	RGBW Mode: 0–100% / CMY Mode: 100–0%
18	Blue	000 ⇄ 255	RGBW Mode: 0–100% / CMY Mode: 100–0%
19	White	000 ⇄ 255	RGBW Mode: 0–100% / CMY Mode: 100–0%



The “Single Control: Basic” personality of the COLORado PXL Bar 8 exactly matches the “Single Control: Basic2” personality of the COLORado PXL Bar 16.

Dual Control Movement: Advanced (25CH)

Channel	Function	Value	Percent/Setting
1	Tilt	000 ⇄ 255	0–100%
2	Fine tilt	000 ⇄ 255	0–100%
3	Tilt speed	000 ⇄ 255	0–100%
4	CTC	000	No function
		001 ⇄ 255	Color temperature, 1900–2700 K
5	Color	000 ⇄ 255	see Color Chart
6	Patterns (see Patterns)	000	No function
		001 ⇄ 215	Pattern 1–215
		216 ⇄ 255	No function
7	LED macro	000 ⇄ 255	see LED Macro
8	LED macro speed	000 ⇄ 127	Auto speed, fast to slow clockwise
		128	Stop
		129 ⇄ 255	Auto speed, slow to fast counterclockwise
9	LED macro delay	000 ⇄ 255	Fast to slow
10	Background color	000 ⇄ 255	see Color Chart
11	Background color dimmer	000 ⇄ 255	0–100%
12	Background color fine dimmer	000 ⇄ 255	0–100%
13	Dimmer	000 ⇄ 255	0–100%
14	Fine dimmer	000 ⇄ 255	0–100%
13	Strobe	000 ⇄ 255	see Strobe Settings
14	Zoom	000 ⇄ 255	Zoom in to zoom out
15	Control	000 ⇄ 255	see Control Settings
18	Red	000 ⇄ 255	RGBW Mode: 0–100% / CMY Mode: 100–0%
19	Fine red	000 ⇄ 255	RGBW Mode: 0–100% / CMY Mode: 100–0%
20	Green	000 ⇄ 255	RGBW Mode: 0–100% / CMY Mode: 100–0%
21	Fine green	000 ⇄ 255	RGBW Mode: 0–100% / CMY Mode: 100–0%
22	Blue	000 ⇄ 255	RGBW Mode: 0–100% / CMY Mode: 100–0%
23	Fine blue	000 ⇄ 255	RGBW Mode: 0–100% / CMY Mode: 100–0%
24	White	000 ⇄ 255	RGBW Mode: 0–100% / CMY Mode: 100–0%
25	Fine white	000 ⇄ 255	RGBW Mode: 0–100% / CMY Mode: 100–0%

Dual Control Movement: Standard (19CH)

Channel	Function	Value	Percent/Setting
1	Tilt	000 ⇔ 255	0–100%
2	Fine tilt	000 ⇔ 255	0–100%
3	Tilt speed	000 ⇔ 255	0–100%
4	CTC	000	No function
		001 ⇔ 255	Color temperature, 1900–2700 K
5	Color	000 ⇔ 255	see Color Chart
6	Patterns (see Patterns)	000	No function
		001 ⇔ 215	Pattern 1–215
		216 ⇔ 255	No function
7	LED macro	000 ⇔ 255	see LED Macro
8	LED macro speed	000 ⇔ 127	Auto speed, fast to slow clockwise
		128	Stop
		129 ⇔ 255	Auto speed, slow to fast counterclockwise
9	LED macro delay	000 ⇔ 255	Fast to slow
10	Background color	000 ⇔ 255	see Color Chart
11	Background color dimmer	000 ⇔ 255	0–100%
12	Dimmer	000 ⇔ 255	0–100%
13	Strobe	000 ⇔ 255	see Strobe Settings
14	Zoom	000 ⇔ 255	Zoom in to zoom out
15	Control	000 ⇔ 255	see Control Settings
16	Red	000 ⇔ 255	RGBW Mode: 0–100% / CMY Mode: 100–0%
17	Green	000 ⇔ 255	RGBW Mode: 0–100% / CMY Mode: 100–0%
18	Blue	000 ⇔ 255	RGBW Mode: 0–100% / CMY Mode: 100–0%
19	White	000 ⇔ 255	RGBW Mode: 0–100% / CMY Mode: 100–0%

Dual Control Movement: Basic (7CH)

Channel	Function	Value	Percent/Setting
1	Tilt	000 ⇔ 255	0–100%
2	Fine tilt	000 ⇔ 255	0–100%
3	Tilt speed	000 ⇔ 255	0–100%
4	Dimmer	000 ⇔ 255	0–100%
5	Strobe	000 ⇔ 255	see Strobe Settings
6	Zoom	000 ⇔ 255	Zoom in to zoom out
7	Control	000 ⇔ 255	see Control Settings



The “Dual Control Movement: Basic” personality of the COLORado PXL Bar 8 exactly matches the “Dual Control Movement: Basic2” personality of the COLORado PXL Bar 16.

QUICK REFERENCE GUIDE



EN

Dual Control LED: Advanced (64CH)

Channel	Function		Value	Percent/Setting
1	Red 1	Cyan 1	000 ⇔ 255	RGBW Mode: 0–100% / CMY Mode: 100–0%
2	Fine red 1	Fine cyan 1	000 ⇔ 255	RGBW Mode: 0–100% / CMY Mode: 100–0%
3	Green 1	Magenta 1	000 ⇔ 255	RGBW Mode: 0–100% / CMY Mode: 100–0%
4	Fine green 1	Fine magenta 1	000 ⇔ 255	RGBW Mode: 0–100% / CMY Mode: 100–0%
5	Blue 1	Yellow 1	000 ⇔ 255	RGBW Mode: 0–100% / CMY Mode: 100–0%
6	Fine blue 1	Fine yellow 1	000 ⇔ 255	RGBW Mode: 0–100% / CMY Mode: 100–0%
7	White 1		000 ⇔ 255	RGBW Mode: 0–100% / CMY Mode: 100–0%
8	Fine white 1		000 ⇔ 255	RGBW Mode: 0–100% / CMY Mode: 100–0%
9	Red 2	Cyan 2	000 ⇔ 255	RGBW Mode: 0–100% / CMY Mode: 100–0%
10	Fine red 2	Fine cyan 2	000 ⇔ 255	RGBW Mode: 0–100% / CMY Mode: 100–0%
11	Green 2	Magenta 2	000 ⇔ 255	RGBW Mode: 0–100% / CMY Mode: 100–0%
12	Fine green 2	Fine magenta 2	000 ⇔ 255	RGBW Mode: 0–100% / CMY Mode: 100–0%
13	Blue 2	Yellow 2	000 ⇔ 255	RGBW Mode: 0–100% / CMY Mode: 100–0%
14	Fine blue 2	Fine yellow 2	000 ⇔ 255	RGBW Mode: 0–100% / CMY Mode: 100–0%
15	White 2		000 ⇔ 255	RGBW Mode: 0–100% / CMY Mode: 100–0%
16	Fine white 2		000 ⇔ 255	RGBW Mode: 0–100% / CMY Mode: 100–0%
17	Red 3	Cyan 3	000 ⇔ 255	RGBW Mode: 0–100% / CMY Mode: 100–0%
18	Fine red 3	Fine cyan 3	000 ⇔ 255	RGBW Mode: 0–100% / CMY Mode: 100–0%
19	Green 3	Magenta 3	000 ⇔ 255	RGBW Mode: 0–100% / CMY Mode: 100–0%
20	Fine green 3	Fine magenta 3	000 ⇔ 255	RGBW Mode: 0–100% / CMY Mode: 100–0%
21	Blue 3	Yellow 3	000 ⇔ 255	RGBW Mode: 0–100% / CMY Mode: 100–0%
22	Fine blue 3	Fine yellow 3	000 ⇔ 255	RGBW Mode: 0–100% / CMY Mode: 100–0%
23	White 3		000 ⇔ 255	RGBW Mode: 0–100% / CMY Mode: 100–0%
24	Fine white 3		000 ⇔ 255	RGBW Mode: 0–100% / CMY Mode: 100–0%
25	Red 4	Cyan 4	000 ⇔ 255	RGBW Mode: 0–100% / CMY Mode: 100–0%
26	Fine red 4	Fine cyan 4	000 ⇔ 255	RGBW Mode: 0–100% / CMY Mode: 100–0%
27	Green 4	Magenta 4	000 ⇔ 255	RGBW Mode: 0–100% / CMY Mode: 100–0%
28	Fine green 4	Fine magenta 4	000 ⇔ 255	RGBW Mode: 0–100% / CMY Mode: 100–0%
29	Blue 4	Yellow 4	000 ⇔ 255	RGBW Mode: 0–100% / CMY Mode: 100–0%
30	Fine blue 4	Fine yellow 4	000 ⇔ 255	RGBW Mode: 0–100% / CMY Mode: 100–0%
31	White 4		000 ⇔ 255	RGBW Mode: 0–100% / CMY Mode: 100–0%
32	Fine white 4		000 ⇔ 255	RGBW Mode: 0–100% / CMY Mode: 100–0%
33	Red 5	Cyan 5	000 ⇔ 255	RGBW Mode: 0–100% / CMY Mode: 100–0%
34	Fine red 5	Fine cyan 5	000 ⇔ 255	RGBW Mode: 0–100% / CMY Mode: 100–0%
35	Green 5	Magenta 5	000 ⇔ 255	RGBW Mode: 0–100% / CMY Mode: 100–0%
36	Fine green 5	Fine magenta 5	000 ⇔ 255	RGBW Mode: 0–100% / CMY Mode: 100–0%
37	Blue 5	Yellow 5	000 ⇔ 255	RGBW Mode: 0–100% / CMY Mode: 100–0%
38	Fine blue 5	Fine yellow 5	000 ⇔ 255	RGBW Mode: 0–100% / CMY Mode: 100–0%
39	White 5		000 ⇔ 255	RGBW Mode: 0–100% / CMY Mode: 100–0%
40	Fine white 5		000 ⇔ 255	RGBW Mode: 0–100% / CMY Mode: 100–0%
41	Red 6	Cyan 6	000 ⇔ 255	RGBW Mode: 0–100% / CMY Mode: 100–0%
42	Fine red 6	Fine cyan 6	000 ⇔ 255	RGBW Mode: 0–100% / CMY Mode: 100–0%
43	Green 6	Magenta 6	000 ⇔ 255	RGBW Mode: 0–100% / CMY Mode: 100–0%
44	Fine green 6	Fine magenta 6	000 ⇔ 255	RGBW Mode: 0–100% / CMY Mode: 100–0%
45	Blue 6	Yellow 6	000 ⇔ 255	RGBW Mode: 0–100% / CMY Mode: 100–0%
46	Fine blue 6	Fine yellow 6	000 ⇔ 255	RGBW Mode: 0–100% / CMY Mode: 100–0%
47	White 6		000 ⇔ 255	RGBW Mode: 0–100% / CMY Mode: 100–0%
48	Fine white 6		000 ⇔ 255	RGBW Mode: 0–100% / CMY Mode: 100–0%
49	Red 7	Cyan 7	000 ⇔ 255	RGBW Mode: 0–100% / CMY Mode: 100–0%
50	Fine red 7	Fine cyan 7	000 ⇔ 255	RGBW Mode: 0–100% / CMY Mode: 100–0%

Channel	Function		Value	Percent/Setting
51	Green 7	Magenta 7	000 ⇄ 255	RGBW Mode: 0–100% / CMY Mode: 100–0%
52	Fine green 7	Fine magenta 7	000 ⇄ 255	RGBW Mode: 0–100% / CMY Mode: 100–0%
53	Blue 7	Yellow 7	000 ⇄ 255	RGBW Mode: 0–100% / CMY Mode: 100–0%
54	Fine blue 7	Fine yellow 7	000 ⇄ 255	RGBW Mode: 0–100% / CMY Mode: 100–0%
55	White 7		000 ⇄ 255	RGBW Mode: 0–100% / CMY Mode: 100–0%
56	Fine white 7		000 ⇄ 255	RGBW Mode: 0–100% / CMY Mode: 100–0%
57	Red 8	Cyan 8	000 ⇄ 255	RGBW Mode: 0–100% / CMY Mode: 100–0%
58	Fine red 8	Fine cyan 8	000 ⇄ 255	RGBW Mode: 0–100% / CMY Mode: 100–0%
59	Green 8	Magenta 8	000 ⇄ 255	RGBW Mode: 0–100% / CMY Mode: 100–0%
60	Fine green 8	Fine magenta 8	000 ⇄ 255	RGBW Mode: 0–100% / CMY Mode: 100–0%
61	Blue 8	Yellow 8	000 ⇄ 255	RGBW Mode: 0–100% / CMY Mode: 100–0%
62	Fine blue 8	Fine yellow 8	000 ⇄ 255	RGBW Mode: 0–100% / CMY Mode: 100–0%
63	White 8		000 ⇄ 255	RGBW Mode: 0–100% / CMY Mode: 100–0%
64	Fine white 8		000 ⇄ 255	RGBW Mode: 0–100% / CMY Mode: 100–0%

Dual Control LED: Standard (32CH)

Channel	Function		Value	Percent/Setting
1	Red 1	Cyan 1	000 ⇄ 255	RGBW Mode: 0–100% / CMY Mode: 100–0%
2	Green 1	Magenta 1	000 ⇄ 255	RGBW Mode: 0–100% / CMY Mode: 100–0%
3	Blue 1	Yellow 1	000 ⇄ 255	RGBW Mode: 0–100% / CMY Mode: 100–0%
4	White 1		000 ⇄ 255	RGBW Mode: 0–100% / CMY Mode: 100–0%
5	Red 2	Cyan 2	000 ⇄ 255	RGBW Mode: 0–100% / CMY Mode: 100–0%
6	Green 2	Magenta 2	000 ⇄ 255	RGBW Mode: 0–100% / CMY Mode: 100–0%
7	Blue 2	Yellow 2	000 ⇄ 255	RGBW Mode: 0–100% / CMY Mode: 100–0%
8	White 2		000 ⇄ 255	RGBW Mode: 0–100% / CMY Mode: 100–0%
9	Red 3	Cyan 3	000 ⇄ 255	RGBW Mode: 0–100% / CMY Mode: 100–0%
10	Green 3	Magenta 3	000 ⇄ 255	RGBW Mode: 0–100% / CMY Mode: 100–0%
11	Blue 3	Yellow 3	000 ⇄ 255	RGBW Mode: 0–100% / CMY Mode: 100–0%
12	White 3		000 ⇄ 255	RGBW Mode: 0–100% / CMY Mode: 100–0%
13	Red 4	Cyan 4	000 ⇄ 255	RGBW Mode: 0–100% / CMY Mode: 100–0%
14	Green 4	Magenta 4	000 ⇄ 255	RGBW Mode: 0–100% / CMY Mode: 100–0%
15	Blue 4	Yellow 4	000 ⇄ 255	RGBW Mode: 0–100% / CMY Mode: 100–0%
16	White 4		000 ⇄ 255	RGBW Mode: 0–100% / CMY Mode: 100–0%
17	Red 5	Cyan 5	000 ⇄ 255	RGBW Mode: 0–100% / CMY Mode: 100–0%
18	Green 5	Magenta 5	000 ⇄ 255	RGBW Mode: 0–100% / CMY Mode: 100–0%
19	Blue 5	Yellow 5	000 ⇄ 255	RGBW Mode: 0–100% / CMY Mode: 100–0%
20	White 5		000 ⇄ 255	RGBW Mode: 0–100% / CMY Mode: 100–0%
21	Red 6	Cyan 6	000 ⇄ 255	RGBW Mode: 0–100% / CMY Mode: 100–0%
22	Green 6	Magenta 6	000 ⇄ 255	RGBW Mode: 0–100% / CMY Mode: 100–0%
23	Blue 6	Yellow 6	000 ⇄ 255	RGBW Mode: 0–100% / CMY Mode: 100–0%
24	White 6		000 ⇄ 255	RGBW Mode: 0–100% / CMY Mode: 100–0%
25	Red 7	Cyan 7	000 ⇄ 255	RGBW Mode: 0–100% / CMY Mode: 100–0%
26	Green 7	Magenta 7	000 ⇄ 255	RGBW Mode: 0–100% / CMY Mode: 100–0%
27	Blue 7	Yellow 7	000 ⇄ 255	RGBW Mode: 0–100% / CMY Mode: 100–0%
28	White 7		000 ⇄ 255	RGBW Mode: 0–100% / CMY Mode: 100–0%
29	Red 8	Cyan 8	000 ⇄ 255	RGBW Mode: 0–100% / CMY Mode: 100–0%
30	Green 8	Magenta 8	000 ⇄ 255	RGBW Mode: 0–100% / CMY Mode: 100–0%
31	Blue 8	Yellow 8	000 ⇄ 255	RGBW Mode: 0–100% / CMY Mode: 100–0%
32	White 8		000 ⇄ 255	RGBW Mode: 0–100% / CMY Mode: 100–0%

Dual Control LED: Basic (24CH)

Channel	Function		Value	Percent/Setting
1	Red 1	Cyan 1	000 ⇔ 255	RGBW Mode: 0–100% / CMY Mode: 100–0%
2	Green 1	Magenta 1	000 ⇔ 255	RGBW Mode: 0–100% / CMY Mode: 100–0%
3	Blue 1	Yellow 1	000 ⇔ 255	RGBW Mode: 0–100% / CMY Mode: 100–0%
4	Red 2	Cyan 2	000 ⇔ 255	RGBW Mode: 0–100% / CMY Mode: 100–0%
5	Green 2	Magenta 2	000 ⇔ 255	RGBW Mode: 0–100% / CMY Mode: 100–0%
6	Blue 2	Yellow 2	000 ⇔ 255	RGBW Mode: 0–100% / CMY Mode: 100–0%
7	Red 3	Cyan 3	000 ⇔ 255	RGBW Mode: 0–100% / CMY Mode: 100–0%
8	Green 3	Magenta 3	000 ⇔ 255	RGBW Mode: 0–100% / CMY Mode: 100–0%
9	Blue 3	Yellow 3	000 ⇔ 255	RGBW Mode: 0–100% / CMY Mode: 100–0%
10	Red 4	Cyan 4	000 ⇔ 255	RGBW Mode: 0–100% / CMY Mode: 100–0%
11	Green 4	Magenta 4	000 ⇔ 255	RGBW Mode: 0–100% / CMY Mode: 100–0%
12	Blue 4	Yellow 4	000 ⇔ 255	RGBW Mode: 0–100% / CMY Mode: 100–0%
13	Red 5	Cyan 5	000 ⇔ 255	RGBW Mode: 0–100% / CMY Mode: 100–0%
14	Green 5	Magenta 5	000 ⇔ 255	RGBW Mode: 0–100% / CMY Mode: 100–0%
15	Blue 5	Yellow 5	000 ⇔ 255	RGBW Mode: 0–100% / CMY Mode: 100–0%
16	Red 6	Cyan 6	000 ⇔ 255	RGBW Mode: 0–100% / CMY Mode: 100–0%
17	Green 6	Magenta 6	000 ⇔ 255	RGBW Mode: 0–100% / CMY Mode: 100–0%
18	Blue 6	Yellow 6	000 ⇔ 255	RGBW Mode: 0–100% / CMY Mode: 100–0%
19	Red 7	Cyan 7	000 ⇔ 255	RGBW Mode: 0–100% / CMY Mode: 100–0%
20	Green 7	Magenta 7	000 ⇔ 255	RGBW Mode: 0–100% / CMY Mode: 100–0%
21	Blue 7	Yellow 7	000 ⇔ 255	RGBW Mode: 0–100% / CMY Mode: 100–0%
22	Red 8	Cyan 8	000 ⇔ 255	RGBW Mode: 0–100% / CMY Mode: 100–0%
23	Green 8	Magenta 8	000 ⇔ 255	RGBW Mode: 0–100% / CMY Mode: 100–0%
24	Blue 8	Yellow 8	000 ⇔ 255	RGBW Mode: 0–100% / CMY Mode: 100–0%

Color Chart

Value	Percent/Setting				
000	No function				
001 ⇔ 002	White 2700K	R = 156	G = 118	B = 0	W = 63
003 ⇔ 004	White 3200K	R = 156	G = 141	B = 5	W = 89
005 ⇔ 006	White 4200K	R = 156	G = 141	B = 14	W = 255
007 ⇔ 008	White 5600K	R = 156	G = 207	B = 54	W = 255
009 ⇔ 010	White 8000K	R = 130	G = 255	B = 96	W = 255
011	Blue	R = 0	G = 0	B = 255	W = 0
012 ⇔ 048	+ Green	R = 0	G = 0–255	B = 255	W = 0
049	Cyan	R = 0	G = 255	B = 255	W = 0
050 ⇔ 086	- Blue	R = 0	G = 255	B = 255–0	W = 0
087	Green	R = 0	G = 255	B = 0	W = 0
088 ⇔ 124	+ Red	R = 0–255	G = 255	B = 0	W = 0
125	Yellow	R = 255	G = 255	B = 0	W = 0
126 ⇔ 162	- Green	R = 255	G = 255–0	B = 0	W = 0
163	Red	R = 255	G = 0	B = 0	W = 0
164 ⇔ 200	+ Blue	R = 255	G = 0	B = 0–255	W = 0
201	Magenta	R = 255	G = 0	B = 255	W = 0
202 ⇔ 238	- Red	R = 255–0	G = 0	B = 255	W = 0
239	Blue	R = 0	G = 0	B = 255	W = 0
240 ⇔ 247	Color fade, fast to slow				
248 ⇔ 255	Color snap, fast to slow				

Strobe Settings

Value	Percent/Setting	Value	Percent/Setting
000 ⇔ 019	Off	145 ⇔ 149	On
020 ⇔ 024	On	150 ⇔ 164	Random strobe 0–100%, fast to slow
025 ⇔ 064	Strobe, fast to slow	165 ⇔ 169	On
065 ⇔ 069	On	170 ⇔ 184	Pulse strobe, fast to slow
070 ⇔ 084	Strobe 100–0%, fast to slow	185 ⇔ 189	On
085 ⇔ 089	On	190 ⇔ 204	Random pulse strobe, fast to slow
090 ⇔ 104	Strobe 0–100%, fast to slow	205 ⇔ 209	On
105 ⇔ 109	On	210 ⇔ 224	Strobe 0–100–0%, fast to slow
110 ⇔ 124	Random strobe, fast to slow	225 ⇔ 229	On
125 ⇔ 129	On	230 ⇔ 244	Random pulse strobe, fast to slow
130 ⇔ 144	Random strobe 100–0%, fast to slow	245 ⇔ 255	On

Control Settings

Value	Percent/Setting	Value	Percent/Setting
000 ⇔ 009	No function	095 ⇔ 099	Reserved for future use
010 ⇔ 014	Blackout on tilt	100 ⇔ 104	Tilt reverse disable
015 ⇔ 019	Reserved for future use	105 ⇔ 119	Reserved for future use
020 ⇔ 024	RGBW (additive) color-mixing mode	120 ⇔ 124	Fan ECO
025 ⇔ 029	CMY (subtractive) color-mixing mode	125 ⇔ 129	Fan full
030 ⇔ 039	Reserved for future use	130 ⇔ 134	Fan auto
040 ⇔ 044	Defrost fan on	135 ⇔ 139	Dimmer fast
045 ⇔ 049	Defrost fan off	140 ⇔ 144	Dimmer smooth
050 ⇔ 054	Reserved for future use	145 ⇔ 149	Linear
055 ⇔ 059	Tilt reset	150 ⇔ 154	Square
060 ⇔ 064	Zoom reset	155 ⇔ 159	i Squa
065 ⇔ 069	Reserved for future use	160 ⇔ 164	SCurve
070 ⇔ 074	Reset all	165 ⇔ 169	White mode
075 ⇔ 089	Reserved for future use	170 ⇔ 174	Full mode
090 ⇔ 094	Tilt reverse	175 ⇔ 255	Reserved for future use

LED Macro

Value	Percent/Setting	Value	Percent/Setting
000 ⇔ 015	No function	136 ⇔ 137	Auto color macro 38
016 ⇔ 017	Color-controllable macro 1	138 ⇔ 139	Auto color macro 39
018 ⇔ 019	Color-controllable macro 2	140 ⇔ 141	Auto color macro 40
020 ⇔ 021	Color-controllable macro 3	142 ⇔ 143	Auto color macro 41
022 ⇔ 023	Color-controllable macro 4	144 ⇔ 145	Auto color macro 42
024 ⇔ 025	Color-controllable macro 5	146 ⇔ 147	Auto color macro 43
026 ⇔ 027	Color-controllable macro 6	148 ⇔ 149	Auto color macro 44
028 ⇔ 029	Color-controllable macro 7	150 ⇔ 151	Auto color macro 45
030 ⇔ 031	Color-controllable macro 8	152 ⇔ 153	Auto color macro 46
032 ⇔ 033	Color-controllable macro 9	154 ⇔ 155	Auto color macro 47
034 ⇔ 035	Color-controllable macro 10	156 ⇔ 157	Auto color macro 48
036 ⇔ 037	Color-controllable macro 11	158 ⇔ 159	Auto color macro 49
038 ⇔ 039	Color-controllable macro 12	160 ⇔ 161	Auto color macro 50
040 ⇔ 041	Color-controllable macro 13	162 ⇔ 163	Auto color macro 51
042 ⇔ 043	Color-controllable macro 14	164 ⇔ 165	Auto color macro 52
044 ⇔ 045	Color-controllable macro 15	166 ⇔ 167	Auto color macro 53
046 ⇔ 047	Color-controllable macro 16	168 ⇔ 169	Auto color macro 54
048 ⇔ 049	Color-controllable macro 17	170 ⇔ 171	Auto color macro 55
050 ⇔ 051	Color-controllable macro 18	172 ⇔ 173	Auto color macro 56
052 ⇔ 053	Color-controllable macro 19	174 ⇔ 175	Auto color macro 57
054 ⇔ 055	Color-controllable macro 20	176 ⇔ 177	Auto color macro 58
056 ⇔ 057	Color-controllable macro 21	178 ⇔ 179	Auto color macro 59
058 ⇔ 059	Color-controllable macro 22	180 ⇔ 181	Auto color macro 60
060 ⇔ 061	Color-controllable macro 23	182 ⇔ 183	Auto color macro 61
062 ⇔ 063	Color-controllable macro 24	184 ⇔ 185	Auto color macro 62
064 ⇔ 065	Color-controllable macro 25	186 ⇔ 187	Auto color macro 63
066 ⇔ 067	Color-controllable macro 26	188 ⇔ 189	Auto color macro 64
068 ⇔ 069	Color-controllable macro 27	190 ⇔ 191	Auto color macro 65
070 ⇔ 071	Color-controllable macro 28	192 ⇔ 193	Auto color macro 66
072 ⇔ 073	Color-controllable macro 29	194 ⇔ 195	Auto color macro 67
074 ⇔ 075	Color-controllable macro 30	196 ⇔ 197	Auto color macro 68
076 ⇔ 077	Color-controllable macro 31	198 ⇔ 199	Auto color macro 69
078 ⇔ 079	Color-controllable macro 32	200 ⇔ 201	Auto color macro 70
080 ⇔ 081	Color-controllable macro 33	202 ⇔ 203	Auto color macro 71
082 ⇔ 083	Color-controllable macro 34	204 ⇔ 205	Auto color macro 72
084 ⇔ 085	Color-controllable macro 35	206 ⇔ 207	Auto color macro 73
086 ⇔ 087	Color-controllable macro 36	208 ⇔ 255	Auto color macro 74 (main macro)
088 ⇔ 135	Color-controllable macro 37 (main macro)		

Patterns

1	○●●●●●●●	44	●○○○●●●●	87	●●○○●○○●	130	●○○○●○○●	173	○●○○○●●●
2	●○●●●●●●	45	●○○○●○○●	88	●●○○●○○○	131	●○○○●○○●	174	○●○○○●●○
3	●●○●●●●●	46	●○○○●○○●	89	●●○○●○○○	132	●○○○●○○○	175	○●●○○○○●
4	●●●○●●●●	47	●○○○●○○○	90	●●●○○○○●	133	●○○○●○○●	176	○●●○○○○○
5	●●●●○●●●	48	●○○○●●●○	91	●●●○○○○○	134	●○○○●○○○	177	○○●●○○○●
6	●●●●●○●●	49	●●○○○○●●	92	●●●○○○○○	135	●○○○●○○○	178	○○●●○○○○
7	●●●●●●○●	50	●●○○●○○●	93	●●●○○○○○	136	●○○○●○○○	179	○○●●●○○○
8	●●●●●●●○	51	●●○○●○○○	94	○○○○●●●●	137	●○○○●○○○	180	○○○●○○●●
9	○○○○○○○○	52	●●○○●●●○	95	○○○○●○○●	138	●○○○●●●○	181	○○○●○○●●
10	○○●●●●●●	53	●●●○○○○●	96	○○○●○○●●	139	●○○○○○○●	182	○○○●○○●○
11	○●○●●●●●	54	●●●○○○○○	97	○○○●●○○●	140	●○○○○○○○	183	○○○●●○○●
12	○●●○●●●●	55	●●●○○○○○	98	○○○●●○○○	141	●○○○○○○○	184	○○○●●○○○
13	○●●●○●●●	56	●●●○○○○○	99	○○●○○○○●	142	●○○○○○○○	185	○○○●●●○○
14	○●●●●○●●	57	●●●○○○○○	100	○○○●○○●●	143	●○○○○○○○	186	○○○○●○○●
15	○●●●●●○●	58	●●●○○○○○	101	○○○●○○●○	144	●○○○○○○○	187	○○○○●○○●
16	○●●●●●●○	59	○○○○●●●●	102	○○○●○○●○	145	●○○○○○○○	188	○○○○●○○○
17	●○○●●●●●	60	○○○○●○○●	103	○○○●○○●●	146	●○○○○○○○	189	●○○○○○○●
18	●○●○●●●●	61	○○○○●○○●	104	○○○●○○●○	147	●○○○○○○○	190	●○○○○○○○
19	●○●●○●●●	62	○○○○●○○○	105	○○○●○○●○	148	●●○○○○○○	191	●○○●○○○○
20	●○●●●○○●	63	○○○○●○○○	106	○○○●○○●○	149	●●○○○○○○	192	●○○●○○○○
21	●○●●●○○○	64	○○○○●○○○	107	○○○●○○●○	150	●●○○○○○○	193	●○○●●○○○
22	●○●●●○○○	65	○○○○●○○●	108	○○○●○○●○	151	●●○○○○○○	194	●○○●●○○○
23	●●○●●●●●	66	○○○○●○○○	109	○○○○●○○●	152	●●○○○○○○	195	●●○○○○○○
24	●●○●○○●●	67	○○○○●○○○	110	○○○○●○○○	153	●●○○○○○○	196	●●○○○○○○
25	●●○●○○○●	68	○○○○●○○○	111	○○○○●○○○	154	●●○○○○○○	197	○○○○○○●●
26	●●○●○○○●	69	○○○○●○○○	112	○○○○●○○○	155	●●○○○○○○	198	○○○○○○●●
27	●●○●○○○○	70	○○○○●○○○	113	○○○○●○○○	156	●●○○○○○○	199	○○○○○○●○
28	●●●○●○○●	71	○○○○●○○○	114	○○○○●○○○	157	●●○○○○○○	200	●○○○○○○○
29	●●●○●○○○	72	○○○○●○○○	115	○○○○●○○○	158	●●○○○○○○	201	●○○○○○○○
30	●●●○●○○○	73	○○○○●○○○	116	○○○○●○○○	159	●●○○○○○○	202	●○○○○○○○
31	●●●○●○○○	74	●○○○○●●●	117	○○○○●○○○	160	●●○○○○○○	203	●○○○○○○○
32	●●●●○●○○	75	●○○○○●○○	118	○○○○●○○○	161	●●○○○○○○	204	○●○○○○○○
33	●●●●○●○○	76	●○○○○●○○	119	○○○○●○○○	162	○○○○●●●●	205	○●○○○○○○
34	●●●●○●○○	77	●○○○○●○○	120	○○○○●○○○	163	○○○○●○○●	206	○●●○○○○○
35	●●●●○●○○	78	●○○○○●○○	121	○○○○●○○○	164	○○○○●○○○	207	●○○○○○○○
36	●●●●○●○○	79	●○○○○●○○	122	○○○○●○○○	165	○○○○●○○○	208	○○○○○○●●
37	●●●●○●○○	80	●○○○○●○○	123	○○○○●○○○	166	●○○○○○○●	209	○○○○○○●○
38	○○○●●●●●	81	●○○○○●○○	124	○○○○●○○○	167	●○○○○○○○	210	○○○○○○●○
39	○○○●○○●●	82	●○○○○●○○	125	○○○○●○○○	168	●○○○○○○○	211	○○○○●○○○
40	○○○●○○●●	83	●○○○○●○○	126	○○○○●○○○	169	●●○○○○○○	212	○○○●○○○○
41	○○○●○○○●	84	●○○○○●○○	127	○○○○●○○○	170	●●○○○○○○	213	○○●○○○○○
42	○○○●○○○●	85	●○○○○●○○	128	○○○○●○○○	171	●●○○○○○○	214	○●○○○○○○
43	○○○●○○○○	86	●○○○○●○○	129	●○○○○●●●	172	○●○○○○○○	215	●○○○○○○○

Acerca de Esta Guía

La Guía de Referencia Rápida (GRR) del COLORado PXL Bar 8 contiene información básica sobre el producto, como montaje, opciones de menú y valores DMX. Descargue el Manual de Usuario de www.chauvetprofessional.com para información más detallada.

Exención de Responsabilidad

La información y especificaciones contenidas en esta GRR están sujetas a cambio sin previo aviso.

GARANTÍA LIMITADA

PARA VER EL REGISTRO DE GARANTÍA Y LOS TÉRMINOS Y CONDICIONES COMPLETOS, VISITE NUESTRO SITIO WEB.

Para clientes en los Estados Unidos y México: www.chauvetlighting.com/warranty-registration.

Para clientes en Reino Unido, República de Irlanda, Bélgica, Países Bajos, Luxemburgo, Francia y Alemania: www.chauvetlighting.eu/warranty-registration.

Chauvet garantiza que este producto estará libre de defectos de material y mano de obra en condiciones de uso normales, durante el periodo especificado, sujeto siempre a las exclusiones y limitaciones establecidas en la garantía limitada completa de nuestro sitio web. Esta garantía se concede únicamente al comprador original del producto y no es transferible. Para ejercer los derechos que otorga esta garantía, usted debe proporcionar una prueba de compra en forma de un recibo de compra original, expedido por un distribuidor autorizado, donde figure el nombre del producto y la fecha de compra. **NO EXISTEN OTRAS GARANTÍAS EXPRESAS NI IMPLÍCITAS.** Esta garantía le otorga derechos legales específicos. Es posible que a usted le asistan otros derechos, que variarán dependiendo del estado o del país. Esta garantía solamente es válida en los Estados Unidos, Reino Unido, República de Irlanda, Bélgica, Países Bajos, Luxemburgo, Francia, Alemania y México. Para conocer los términos de garantía en otros países, consulte a su distribuidor local.

Notas de Seguridad

- NO abra este producto. No contiene piezas reparables por el usuario.
- NO mire a la fuente de luz cuando el producto esté encendido.
- NO ponga en funcionamiento este producto si sospecha que la carcasa, lentes o cables están dañados.
- NO conecte este producto a un atenuador o reostato.
- NO deje ningún material inflamable a menos de 20 cm de este producto mientras esté funcionando o conectado a la alimentación.
- NO sumerja este producto (IP65). La operación temporal en exteriores es correcta.
- No apto para la instalación permanente en exteriores en lugares con condiciones ambientales extremas. Estas incluyen, sin limitarse a ellas:
 - Exposición a un ambiente marino/salino (a menos de 4,8 km de una masa de agua salada).
 - Cuando las temperaturas máxima o mínima habituales del lugar superan los rangos de temperatura en este manual.
 - Lugares proclives a inundaciones o a ser sepultados por la nieve.
 - Otras zonas en las que el producto esté expuesto a radiación extrema o sustancias cáusticas.
- CUIDADO: La carcasa de este producto está caliente cuando las luces están en funcionamiento.
- CUIDADO: Cuando transfiera el producto desde ambientes con temperatura extrema (p. ej., del remolque frío de un camión a una sala de baile con calor y humedad), puede formarse condensación en la electrónica interna del producto. Para evitar que se produzca una avería, deje que el producto se aclimate completamente al ambiente antes de conectar la alimentación.
- USE un cable de seguridad cuando monte este producto en lo alto.
- Conecte este producto SOLO a un circuito con toma de tierra y protegido.
- Use SOLAMENTE los soportes de colgar/montar para mover este producto.
- Monte este producto en una ubicación con ventilación adecuada, al menos a 20 cm de superficies adyacentes.
- El producto no está destinado a una instalación permanente.
- Para evitar un desgaste innecesario y alargar su vida útil, desconecte complementemente el producto de la alimentación, mediante el interruptor o desenchufándolo, durante los periodos en los que no se use.
- En caso de un problema grave de funcionamiento, deje de usarlo inmediatamente.
- La máxima temperatura ambiente es de 113 °F (45 °C). No haga funcionar este producto a temperaturas más altas.
- La luminaria debe colocarse de forma que no sea previsible que se mire fijamente hacia ella a una distancia menor de 3,0 m.
- Si se daña el cable externo flexible de esta luminaria, se sustituirá con un cable especial o con un cable disponible exclusivamente a través del fabricante o de su agente de servicio técnico.
- Solo el fabricante, su agente de servicio o un técnico de similar cualificación podrán reemplazar la fuente de luz contenida en esta luminaria.
- La luminaria está destinada exclusivamente a un uso profesional.

Cumplimiento de la FCC

Este dispositivo cumple la parte 15, parte B de las normas FCC. El Funcionamiento está supeditado al cumplimiento de estas dos condiciones:

1. Este dispositivo no puede causar interferencias perjudiciales; y
2. Este dispositivo debe aceptar cualquier interferencia recibida, incluyendo las interferencias que puedan causar un funcionamiento no deseado.

Cualquier cambio o modificación que no haya sido expresamente autorizado por la parte responsable de conformidad puede anular la potestad del usuario para hacer funcionar el equipo.

Contacto

Fuera de EE. UU., Reino Unido, Irlanda, Benelux, Francia, Alemania o México póngase en contacto con su distribuidor para solicitar asistencia o devolver un producto. Consulte [Contact Us](#) al final de este GRR para información de contacto.

Qué va Incluido

- COLORado PXL Bar 8
- Cable de alimentación Seetronic Powerkon IP65
- 1 soporte Omega con material de montaje
- Guía de Referencia Rápida

Corriente Alterna

Este producto tiene una fuente de alimentación con detección automática que puede funcionar con un rango de tensión de entrada de 100 a 240 V~, 50/60 Hz.

Alimentación en Cadena

Es posible enlazar hasta 1 producto COLORado PXL Bar 8 a 100 V, 3 productos a 120 V, 5 productos a 208 V, 6 productos a 230 V o 6 productos a 240 V. Nunca exceda este número. Los cables de alimentación en cadena se pueden adquirir por separado.

Enchufe CA

Conexión	Cable (EE.UU.)	Cable (Europa)	Color del tornillo
CA Cargado	Negro	Marrón	Amarillo/Latón
CA Neutro	Blanco	Azul	Plata
CA Tierra	Verde/Amarillo	Verde/Amarillo	Verde



Para evitar un desgaste innecesario y alargar su vida útil, desconecte complemente el producto de la alimentación, mediante el interruptor o desenchufándolo, durante los periodos en los que no se use.

Conexiones de señal

Puede enlazar el COLORado PXL Bar 8 a un controlador o software controlador usando una conexión DMX, una conexión Ethernet o ambas. Si está usando otros productos compatibles con Art-Net™ o sACN, el COLORado PXL Bar 8 puede controlar cada uno individualmente en una sola red. Consulte el Manual de usuario para obtener información sobre cómo conectar y configurar el producto para estas señales.

Personalidades de control

El COLORado PXL Bar 8 utiliza DMX, Art-Net™, sACN, WDMX y Kling-Net para sus personalidades de control:

Single Mode	Dual Mode Movement	Dual Mode LED
Basic (19 canales)	Basic (7 canales)	Basic (24 canales)
Standard (51 canales)	Standard (19 canales)	Standard (32 canales)
Advanced (89 canales)	Advanced (25 canales)	Advanced (64 canales)
Tour (105 canales)		
Utiliza DMX, Art-Net™ o sACN	Utiliza DMX, Art-Net™ o sACN	Utiliza DMX, Art-Net™, sACN o Kling-Net

Conexión DMX

El COLORado PXL Bar 8 funcionará con un controlador DMX usando una conexión serie DMX de 5 pines. Hay un Manual DMX disponible en www.chauvetprofessional.com.

RDM (gestión remota del dispositivo)

Remote Device Management (gestión remota del dispositivo) o RDM, es un estándar que permite a los dispositivos con capacidad DMX una comunicación bidireccional por un cableado DMX existente. El COLORado PXL Bar 8 admite protocolo RDM, que posibilita información para supervisar cambiar las opciones del mapa de menú. Descargue el manual de usuario de www.chauvetprofessional.com para una información más detallada.

Conexión Art-Net™

Art-Net™ es un protocolo Ethernet que utiliza TCP/IP para transferir gran cantidad de datos DMX512 usando una conexión Amphenol XLR Net RJ45 sobre una red de gran tamaño. Hay disponible un documento sobre el protocolo Art-Net™ desde www.chauvetprofessional.com. Chauvet Professional recomienda la utilización de modo Unicast para mejores resultados. Art-Net™ diseñado y copyright por Artistic Licence Holdings Ltd.

Conexión sACN

También conocido como ANSI E1.31, el streaming ACN es un protocolo Ethernet que usa las capas y formato de Architecture for Control Networks (arquitectura para redes de control) para transportar datos DMX512 sobre IP o cualquier otra red compatible con ACN.

Conexión Kling-Net

Kling-Net es un protocolo de red que permite la autoconfiguración de los dispositivos de imagen usando una conexión Ethernet etherCON RJ45. Consulte el manual del software ArKaos para instrucciones detalladas sobre la programación de este producto.



- **Para un funcionamiento fluido, ArKaos Kling-Net precisa una tarjeta Ethernet a gigabit (1000 Mbps) y un router de red.**
- **ArKaos Kling-Net solo ejecutará los modos Standard Píxels o Basic Píxels.**

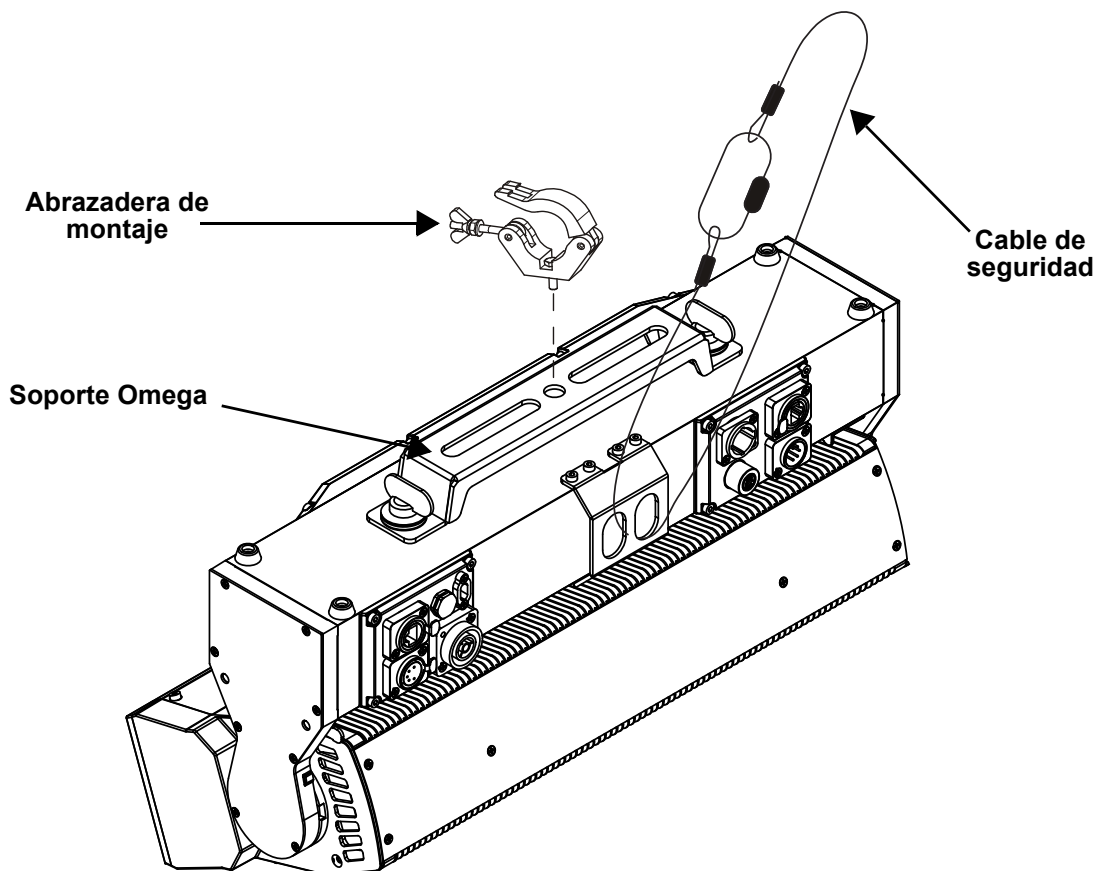
Conexión Maestro/Esclavo

El COLORado PXL Bar 8 usa la conexión de datos DMX para su modo Maestro/Esclavo. Vea el Manual de Usuario para conectar y configurar para funcionamiento Maestro/Esclavo.

Montaje

Antes de montar este producto, lea las [Notas de Seguridad](#). Utilice al menos dos puntos de montaje por producto. Asegúrese de que las abrazaderas de montaje son capaces de soportar el peso del producto. Para nuestra línea Chauvet de abrazaderas de montaje, visite <http://trusst.com/productcategory/truss-clamps/>.

Diagrama de Montaje del Producto



Descripción del Panel de Control

Botón	Función
<MENU>	Sale del menú o función actual
<ENTER>	Habilita el menú actualmente en pantalla o configura el valor seleccionado actualmente dentro de la función seleccionada
<UP>	Navega hacia arriba por la lista de menú o aumenta el valor numérico cuando está en una función
<DOWN>	Navega hacia abajo por la lista de menú o disminuye el valor numérico cuando está en una función

Mapa de Menú

Consulte la página del producto COLORado PXL Bar 8 en www.chauvetprofessional.com para ver el último mapa de menú.

Niveles de Programación				Descripción	
Control Settings				Control Settings Nivel Principal	
Single Mode	DMX	Personality	Basic	Configura la personalidad DMX (vea Personalidades de control)	
			Standard		
			Advanced		
		Tour			
	Start Address	0–512	Configura la dirección DMX de inicio		
	ArtNet	Personality	Basic	Configura la personalidad Art-Net™ (vea Personalidades de control)	
			Standard		
			Advanced		
		Tour			
	Start Address	0–512	Configura la dirección Art-Net™ de inicio		
	Universe	0–255	Configura el universo Art-Net™		
	sACN	Personality	Basic	Configura la personalidad sACN (vea Personalidades de control)	
Standard					
Advanced					
Tour					
Start Address	0–512	Configura la dirección sACN de inicio			
Universe	0–255	Configura el universo sACN			
Control Settings	Dual Mode	Movement	DMX	Basic	Configura la personalidad DMX (vea Personalidades de control)
				Standard	
				Advanced	
			Start Address	0–512	Configura la dirección DMX de inicio
		ArtNet	Personality	Basic	Configura la personalidad Art-Net™ (vea Personalidades de control)
				Standard	
				Advanced	
			Start Address	0–512	Configura la dirección Art-Net™ de inicio
		Universe	0–255	Configura el universo Art-Net™	
		sACN	Personality	Basic	Configura la personalidad sACN (vea Personalidades de control)
				Standard	
				Advanced	
	Start Address		0–512	Configura la dirección sACN de inicio	
	Universe	0–255	Configura el universo sACN		
	LED	DMX	Personality	Basic	Configura la personalidad DMX (vea Personalidades de control)
				Standard	
				Advanced	
			Start Address	0–512	Configura la dirección DMX de inicio
		ArtNet	Personality	Basic	Configura la personalidad Art-Net™ (vea Personalidades de control)
				Standard	
				Advanced	
			Start Address	0–512	Configura la dirección Art-Net™ de inicio
		Universe	0–255	Configura el universo Art-Net™	
		sACN	Personality	Basic	Configura la personalidad sACN (vea Personalidades de control)
Standard					
Advanced					
Start Address	0–512		Configura la dirección sACN de inicio		
Universe	0–255	Configura el universo sACN			
KlingNet	Personality	Basic	Configura la personalidad Kling-Net (vea Personalidades de control)		
		Standard			

Nivel Principal	Niveles de Programación		Descripción
Run Mode		Auto Test	Prueba automática de todas las funciones
	Manual Test	Tilt P/T Speed Red Green Blue White CTC Color Pattern LED Macro LED Ma. Speed LED Ma. Fade Background Background Dim. Dimmer Shutter Function Zoom1	000–255 Controlar y probar todas las funciones a través del panel de control
Setup	Network Settings	IP Mode	Manual Configurar la dirección IP manualmente
			DHCP La red configura la dirección IP
			Static El producto configura la dirección IP
		IP Byte 1–4	000–255 Configurar la dirección IP en modo Manual
		SubMask 1–4	000–255 Configurar la máscara de subred en modo Manual
	Tilt Reverse		OFF Inclinación normal
			ON Inclinación inversa
	Zoom Reverse		OFF Zoom normal
			ON Zoom invertido
	Screen Reverse		NO Pantalla normal
			YES Pantalla inversa
			AUTO Orientación de pantalla automático
	Tilt Angle		200 Rango de inclinación: 200°
			180 Rango de inclinación: 180°
			60 Rango de inclinación: 60°
	BL. O. P/T Move		NO No blackout mientras inclinación
			YES Blackout mientras inclinación
	Backlight Timer		30S La pantalla se apaga a los 30 segundos
			1M La pantalla se apaga al cabo de 1 minuto
			5M La pantalla se apaga al cabo de 5 minutos
			ON La pantalla permanece encendida
	Loss of Data		Hold Mantiene la última señal recibida
			Close Pone el dispositivo en blackout
Fans		Auto Velocidad del ventilador según la temperatura del producto	
		Full Velocidad del ventilador siempre alta	
		ECO Modo silencioso	
Defrost Fan		OFF Activar ventilador de descongelación	
		ON Desactivar ventilador de descongelación	
C Mixing Mode		RGBW Mezcla de color aditivo (0–100%)	
		CMY Mezcla de color sustractivo (100%–0)	
Dimmer Curve		Linear	
		Square	
		I Squa	
		SCurve	

Nivel Principal	Niveles de Programación		Descripción	
Setup	Dimmer Speed	Smooth	Cambia la velocidad del atenuador	
		Fast		
	PWM Option	600Hz	Selecciona la frecuencia de emisión PWM	
		1200Hz		
		2000Hz		
		4000Hz		
		6000Hz		
		15000Hz		
	Cell Order	1-8	La luz se activa de izquierda a derecha	
		8-1	La luz se activa de derecha a izquierda	
	Calibrated White	ON	Temperatura de emisión de luz predeterminada ajustada a 7500K	
		OFF	Desactiva el ajuste de blanco calibrado	
		Custom	Ajuste la temperatura de salida de luz usando la configuración de balance de blancos	
	White Balance	Red	000-255	Configura el valor máximo del LED rojo
		Green		Configura el valor máximo del LED verde
		Blue		Configura el valor máximo del LED azul
		White		Configura el valor máximo del LED rojo
Preset Select	PRESET A	Opciones de menú preconfiguradas grabadas		
	PRESET B			
	PRESET C			
Preset Sync	NO	Permite transferir las opciones de menú preconfiguradas grabadas a otros COLORado PXL Bar 8 de la cadena DMX		
	YES			
USB Update	NO	Habilita/deshabilita la actualización por USB		
	YES			
Reset Function	Tilt	NO	Restablece las funciones individuales o todas las funciones desde el arranque	
		YES		
	Zoom	NO		
		YES		
	All	NO		
		YES		
Factory Settings	NO	Restablece el dispositivo a la configuración de fábrica		
	YES			
Information	Firmware Version		V_	Muestra la versión de firmware
	Running Mode		---	Muestra el modo de ejecución actual
	Address		---	Muestra la dirección de inicio actual
	Temperature		---	Muestra la temperatura actual del producto en °C
	Fixture Time		-----	Muestra el número de horas que el producto ha estado encendido
	LED Hours		---'---'---'---	Muestra el total de horas que el LED ha estado encendido
	ArtNet Info	Ip	---'---'---'---	Muestra la dirección IP actual
		SubMask	---'---'---'---	Muestra la máscara de subred actual
		MAC	-----	Muestra la dirección MAC actual
	Device UID		-----	Muestra el UID del producto
	Fan Information	Head Fan 1-5	-----	Muestra la velocidad del ventilador principal 1-5 en rpm
		Defrost Fan 1	-----	Muestra la velocidad del ventilador de descongelación en rpm
		Base Fan 1	-----	Muestra la velocidad del ventilador base en rpm

Valores DMX
Single Control: Modo “Tour” (105CH)

Canal	Función	Valor	Porcentaje/Configuración
1	Inclinación	000 ⇔ 255	0–100%
2	Inclinación fino	000 ⇔ 255	0–100%
3	Velocidad de inclinación	000 ⇔ 255	0–100%
4	CTC	000 001 ⇔ 255	Sin función Temperature de color, 1900–2700 K
5	Color	000 ⇔ 255	ver Catálogo de colores
6	Diseños (ver Catálogo de colores)	000 001 ⇔ 215 216 ⇔ 255	Sin función Diseño 1–215 Sin función
7	Macro LED	000 ⇔ 255	ver Macro LED
8	Velocidad macro LED	000 ⇔ 127 128 129 ⇔ 255	Rápido a lento sentido horario Mantener Lento a rápido, sentido antihorario
9	Retardo LED integrado	000 ⇔ 255	Rápido a lento
10	Color de fondo	000 ⇔ 255	ver Catálogo de colores
11	Atenuador de color de fondo	000 ⇔ 255	0–100%
12	Atenuador fino de color de fondo	000 ⇔ 255	0–100%
13	Atenuador	000 ⇔ 255	0–100%
14	Atenuador fino	000 ⇔ 255	0–100%
15	Obturador	000 ⇔ 255	ver Configuración de obturador
16	Zoom	000 ⇔ 255	Ancho a estrecho
17	Control	000 ⇔ 255	ver Configuración de control
18	Rojo principal	000 ⇔ 255	Modo RGBW: 0–100% / Modo CMY: 100–0%
19	Rojo principal fino	000 ⇔ 255	Modo RGBW: 0–100% / Modo CMY: 100–0%
20	Verde principal	000 ⇔ 255	Modo RGBW: 0–100% / Modo CMY: 100–0%
21	Verde principal fino	000 ⇔ 255	Modo RGBW: 0–100% / Modo CMY: 100–0%
22	Azul principal	000 ⇔ 255	Modo RGBW: 0–100% / Modo CMY: 100–0%
23	Azul principal fino	000 ⇔ 255	Modo RGBW: 0–100% / Modo CMY: 100–0%
24	Blanco principal	000 ⇔ 255	Modo RGBW: 0–100% / Modo CMY: 100–0%
25	Blanco principal fino	000 ⇔ 255	Modo RGBW: 0–100% / Modo CMY: 100–0%
26	Atenuador 1	000 ⇔ 255	0–100%
27	Atenuador fino 1	000 ⇔ 255	0–100%
28	Rojo 1 Cian 1	000 ⇔ 255	Modo RGBW: 0–100% / Modo CMY: 100–0%
29	Rojo fino 1 Cian fino 1	000 ⇔ 255	Modo RGBW: 0–100% / Modo CMY: 100–0%
30	Verde 1 Magenta 1	000 ⇔ 255	Modo RGBW: 0–100% / Modo CMY: 100–0%
31	Verde fino 1 Magenta fino 1	000 ⇔ 255	Modo RGBW: 0–100% / Modo CMY: 100–0%
32	Azul 1 Amarillo 1	000 ⇔ 255	Modo RGBW: 0–100% / Modo CMY: 100–0%
33	Azul fino 1 Amarillo fino 1	000 ⇔ 255	Modo RGBW: 0–100% / Modo CMY: 100–0%
34	Blanco 1	000 ⇔ 255	Modo RGBW: 0–100% / Modo CMY: 100–0%
35	Blanco fino 1	000 ⇔ 255	Modo RGBW: 0–100% / Modo CMY: 100–0%
36	Atenuador 2	000 ⇔ 255	0–100%
37	Atenuador fino 2	000 ⇔ 255	0–100%
38	Rojo 2 Cian 2	000 ⇔ 255	Modo RGBW: 0–100% / Modo CMY: 100–0%
39	Rojo fino 2 Cian fino 2	000 ⇔ 255	Modo RGBW: 0–100% / Modo CMY: 100–0%
40	Verde 2 Magenta 2	000 ⇔ 255	Modo RGBW: 0–100% / Modo CMY: 100–0%
41	Verde fino 2 Magenta fino 2	000 ⇔ 255	Modo RGBW: 0–100% / Modo CMY: 100–0%
42	Azul 2 Amarillo 2	000 ⇔ 255	Modo RGBW: 0–100% / Modo CMY: 100–0%
43	Azul fino 2 Amarillo fino 2	000 ⇔ 255	Modo RGBW: 0–100% / Modo CMY: 100–0%
44	Blanco 2	000 ⇔ 255	Modo RGBW: 0–100% / Modo CMY: 100–0%
45	Blanco fino 2	000 ⇔ 255	Modo RGBW: 0–100% / Modo CMY: 100–0%

Canal	Función	Valor	Porcentaje/Configuración
46	Atenuador 3	000 ⇔ 255	0–100%
47	Atenuador fino 3	000 ⇔ 255	0–100%
48	Rojo 3 Cian 3	000 ⇔ 255	Modo RGBW: 0–100% / Modo CMY: 100–0%
49	Rojo fino 3 Cian fino 3	000 ⇔ 255	Modo RGBW: 0–100% / Modo CMY: 100–0%
50	Verde 3 Magenta 3	000 ⇔ 255	Modo RGBW: 0–100% / Modo CMY: 100–0%
51	Verde fino 3 Magenta fino 3	000 ⇔ 255	Modo RGBW: 0–100% / Modo CMY: 100–0%
52	Azul 3 Amarillo 3	000 ⇔ 255	Modo RGBW: 0–100% / Modo CMY: 100–0%
53	Azul fino 3 Amarillo fino 3	000 ⇔ 255	Modo RGBW: 0–100% / Modo CMY: 100–0%
54	Blanco 3	000 ⇔ 255	Modo RGBW: 0–100% / Modo CMY: 100–0%
55	Blanco fino 3	000 ⇔ 255	Modo RGBW: 0–100% / Modo CMY: 100–0%
56	Atenuador 4	000 ⇔ 255	0–100%
57	Atenuador fino 4	000 ⇔ 255	0–100%
58	Rojo 4 Cian 4	000 ⇔ 255	Modo RGBW: 0–100% / Modo CMY: 100–0%
59	Rojo fino 4 Cian fino 4	000 ⇔ 255	Modo RGBW: 0–100% / Modo CMY: 100–0%
60	Verde 4 Magenta 4	000 ⇔ 255	Modo RGBW: 0–100% / Modo CMY: 100–0%
61	Verde fino 4 Magenta fino 4	000 ⇔ 255	Modo RGBW: 0–100% / Modo CMY: 100–0%
62	Azul 4 Amarillo 4	000 ⇔ 255	Modo RGBW: 0–100% / Modo CMY: 100–0%
63	Azul fino 4 Amarillo fino 4	000 ⇔ 255	Modo RGBW: 0–100% / Modo CMY: 100–0%
64	Blanco 4	000 ⇔ 255	Modo RGBW: 0–100% / Modo CMY: 100–0%
65	Blanco fino 4	000 ⇔ 255	Modo RGBW: 0–100% / Modo CMY: 100–0%
66	Atenuador 5	000 ⇔ 255	0–100%
67	Atenuador fino 5	000 ⇔ 255	0–100%
68	Rojo 5 Cian 5	000 ⇔ 255	Modo RGBW: 0–100% / Modo CMY: 100–0%
69	Rojo fino 5 Cian fino 5	000 ⇔ 255	Modo RGBW: 0–100% / Modo CMY: 100–0%
70	Verde 5 Magenta 5	000 ⇔ 255	Modo RGBW: 0–100% / Modo CMY: 100–0%
71	Verde fino 5 Magenta fino 5	000 ⇔ 255	Modo RGBW: 0–100% / Modo CMY: 100–0%
72	Azul 5 Amarillo 5	000 ⇔ 255	Modo RGBW: 0–100% / Modo CMY: 100–0%
73	Azul fino 5 Amarillo fino 5	000 ⇔ 255	Modo RGBW: 0–100% / Modo CMY: 100–0%
74	Blanco 5	000 ⇔ 255	Modo RGBW: 0–100% / Modo CMY: 100–0%
75	Blanco fino 5	000 ⇔ 255	Modo RGBW: 0–100% / Modo CMY: 100–0%
76	Atenuador 6	000 ⇔ 255	0–100%
77	Atenuador fino 6	000 ⇔ 255	0–100%
78	Rojo 6 Cian 6	000 ⇔ 255	Modo RGBW: 0–100% / Modo CMY: 100–0%
79	Rojo fino 6 Cian fino 6	000 ⇔ 255	Modo RGBW: 0–100% / Modo CMY: 100–0%
80	Verde 6 Magenta 6	000 ⇔ 255	Modo RGBW: 0–100% / Modo CMY: 100–0%
81	Verde fino 6 Magenta fino 6	000 ⇔ 255	Modo RGBW: 0–100% / Modo CMY: 100–0%
82	Azul 6 Amarillo 6	000 ⇔ 255	Modo RGBW: 0–100% / Modo CMY: 100–0%
83	Azul fino 6 Amarillo fino 6	000 ⇔ 255	Modo RGBW: 0–100% / Modo CMY: 100–0%
84	Blanco 6	000 ⇔ 255	Modo RGBW: 0–100% / Modo CMY: 100–0%
85	Blanco fino 6	000 ⇔ 255	Modo RGBW: 0–100% / Modo CMY: 100–0%
86	Atenuador 7	000 ⇔ 255	0–100%
87	Atenuador fino 7	000 ⇔ 255	0–100%
88	Rojo 7 Cian 7	000 ⇔ 255	Modo RGBW: 0–100% / Modo CMY: 100–0%
89	Rojo fino 7 Cian fino 7	000 ⇔ 255	Modo RGBW: 0–100% / Modo CMY: 100–0%
90	Verde 7 Magenta 7	000 ⇔ 255	Modo RGBW: 0–100% / Modo CMY: 100–0%
91	Verde fino 7 Magenta fino 7	000 ⇔ 255	Modo RGBW: 0–100% / Modo CMY: 100–0%
92	Azul 7 Amarillo 7	000 ⇔ 255	Modo RGBW: 0–100% / Modo CMY: 100–0%
93	Azul fino 7 Amarillo fino 7	000 ⇔ 255	Modo RGBW: 0–100% / Modo CMY: 100–0%
94	Blanco 7	000 ⇔ 255	Modo RGBW: 0–100% / Modo CMY: 100–0%
95	Blanco fino 7	000 ⇔ 255	Modo RGBW: 0–100% / Modo CMY: 100–0%
96	Atenuador 8	000 ⇔ 255	0–100%
97	Atenuador fino 8	000 ⇔ 255	0–100%

Canal	Función	Valor	Porcentaje/Configuración
98	Rojo 8 Cian 8	000 ⇔ 255	Modo RGBW: 0–100% / Modo CMY: 100–0%
99	Rojo fino 8 Cian fino 8	000 ⇔ 255	Modo RGBW: 0–100% / Modo CMY: 100–0%
100	Verde 8 Magenta 8	000 ⇔ 255	Modo RGBW: 0–100% / Modo CMY: 100–0%
101	Verde fino 8 Magenta fino 8	000 ⇔ 255	Modo RGBW: 0–100% / Modo CMY: 100–0%
102	Azul 8 Amarillo 8	000 ⇔ 255	Modo RGBW: 0–100% / Modo CMY: 100–0%
103	Azul fino 8 Amarillo fino 8	000 ⇔ 255	Modo RGBW: 0–100% / Modo CMY: 100–0%
104	Blanco 8	000 ⇔ 255	Modo RGBW: 0–100% / Modo CMY: 100–0%
105	Blanco fino 8	000 ⇔ 255	Modo RGBW: 0–100% / Modo CMY: 100–0%

Single Control: Modo “Advanced” (89CH)

Canal	Función	Valor	Porcentaje/Configuración
1	Inclinación	000 ⇔ 255	0–100%
2	Inclinación fino	000 ⇔ 255	0–100%
3	Velocidad de inclinación	000 ⇔ 255	0–100%
4	CTC	000 001 ⇔ 255	Sin función Temperature de color, 1900–2700 K
5	Color	000 ⇔ 255	ver Catálogo de colores
6	Diseños (ver Catálogo de colores)	000 001 ⇔ 215 216 ⇔ 255	Sin función Diseño 1–215 Sin función
7	Macro LED	000 ⇔ 255	ver Macro LED
8	Velocidad macro LED	000 ⇔ 127 128 129 ⇔ 255	Rápido a lento sentido horario Mantener Lento a rápido, sentido antihorario
9	Retardo LED integrado	000 ⇔ 255	Rápido a lento
10	Color de fondo	000 ⇔ 255	ver Catálogo de colores
11	Atenuador de color de fondo	000 ⇔ 255	0–100%
12	Atenuador fino de color de fondo	000 ⇔ 255	0–100%
13	Atenuador	000 ⇔ 255	0–100%
14	Atenuador fino	000 ⇔ 255	0–100%
15	Obturador	000 ⇔ 255	ver Configuración de obturador
16	Zoom	000 ⇔ 255	Ancho a estrecho
17	Control	000 ⇔ 255	ver Configuración de control
18	Rojo principal	000 ⇔ 255	Modo RGBW: 0–100% / Modo CMY: 100–0%
19	Rojo principal fino	000 ⇔ 255	Modo RGBW: 0–100% / Modo CMY: 100–0%
20	Verde principal	000 ⇔ 255	Modo RGBW: 0–100% / Modo CMY: 100–0%
21	Verde principal fino	000 ⇔ 255	Modo RGBW: 0–100% / Modo CMY: 100–0%
22	Azul principal	000 ⇔ 255	Modo RGBW: 0–100% / Modo CMY: 100–0%
23	Azul principal fino	000 ⇔ 255	Modo RGBW: 0–100% / Modo CMY: 100–0%
24	Blanco principal	000 ⇔ 255	Modo RGBW: 0–100% / Modo CMY: 100–0%
25	Blanco principal fino	000 ⇔ 255	Modo RGBW: 0–100% / Modo CMY: 100–0%
26	Rojo 1 Cian 1	000 ⇔ 255	Modo RGBW: 0–100% / Modo CMY: 100–0%
27	Rojo fino 1 Cian fino 1	000 ⇔ 255	Modo RGBW: 0–100% / Modo CMY: 100–0%
28	Verde 1 Magenta 1	000 ⇔ 255	Modo RGBW: 0–100% / Modo CMY: 100–0%
29	Verde fino 1 Magenta fino 1	000 ⇔ 255	Modo RGBW: 0–100% / Modo CMY: 100–0%
30	Azul 1 Amarillo 1	000 ⇔ 255	Modo RGBW: 0–100% / Modo CMY: 100–0%
31	Azul fino 1 Amarillo fino 1	000 ⇔ 255	Modo RGBW: 0–100% / Modo CMY: 100–0%
32	Blanco 1	000 ⇔ 255	Modo RGBW: 0–100% / Modo CMY: 100–0%
33	Blanco fino 1	000 ⇔ 255	Modo RGBW: 0–100% / Modo CMY: 100–0%
34	Rojo 2 Cian 2	000 ⇔ 255	Modo RGBW: 0–100% / Modo CMY: 100–0%

Canal	Función		Valor	Porcentaje/Configuración
35	Rojo fino 2	Cian fino 2	000 ⇔ 255	Modo RGBW: 0–100% / Modo CMY: 100–0%
36	Verde 2	Magenta 2	000 ⇔ 255	Modo RGBW: 0–100% / Modo CMY: 100–0%
37	Verde fino 2	Magenta fino 2	000 ⇔ 255	Modo RGBW: 0–100% / Modo CMY: 100–0%
38	Azul 2	Amarillo 2	000 ⇔ 255	Modo RGBW: 0–100% / Modo CMY: 100–0%
39	Azul fino 2	Amarillo fino 2	000 ⇔ 255	Modo RGBW: 0–100% / Modo CMY: 100–0%
40	Blanco 2		000 ⇔ 255	Modo RGBW: 0–100% / Modo CMY: 100–0%
41	Blanco fino 2		000 ⇔ 255	Modo RGBW: 0–100% / Modo CMY: 100–0%
42	Rojo 3	Cian 3	000 ⇔ 255	Modo RGBW: 0–100% / Modo CMY: 100–0%
43	Rojo fino 3	Cian fino 3	000 ⇔ 255	Modo RGBW: 0–100% / Modo CMY: 100–0%
44	Verde 3	Magenta 3	000 ⇔ 255	Modo RGBW: 0–100% / Modo CMY: 100–0%
45	Verde fino 3	Magenta fino 3	000 ⇔ 255	Modo RGBW: 0–100% / Modo CMY: 100–0%
46	Azul 3	Amarillo 3	000 ⇔ 255	Modo RGBW: 0–100% / Modo CMY: 100–0%
47	Azul fino 3	Amarillo fino 3	000 ⇔ 255	Modo RGBW: 0–100% / Modo CMY: 100–0%
48	Blanco 3		000 ⇔ 255	Modo RGBW: 0–100% / Modo CMY: 100–0%
49	Blanco fino 3		000 ⇔ 255	Modo RGBW: 0–100% / Modo CMY: 100–0%
50	Rojo 4	Cian 4	000 ⇔ 255	Modo RGBW: 0–100% / Modo CMY: 100–0%
51	Rojo fino 4	Cian fino 4	000 ⇔ 255	Modo RGBW: 0–100% / Modo CMY: 100–0%
52	Verde 4	Magenta 4	000 ⇔ 255	Modo RGBW: 0–100% / Modo CMY: 100–0%
53	Verde fino 4	Magenta fino 4	000 ⇔ 255	Modo RGBW: 0–100% / Modo CMY: 100–0%
54	Azul 4	Amarillo 4	000 ⇔ 255	Modo RGBW: 0–100% / Modo CMY: 100–0%
55	Azul fino 4	Amarillo fino 4	000 ⇔ 255	Modo RGBW: 0–100% / Modo CMY: 100–0%
56	Blanco 4		000 ⇔ 255	Modo RGBW: 0–100% / Modo CMY: 100–0%
57	Blanco fino 4		000 ⇔ 255	Modo RGBW: 0–100% / Modo CMY: 100–0%
58	Rojo 5	Cian 5	000 ⇔ 255	Modo RGBW: 0–100% / Modo CMY: 100–0%
59	Rojo fino 5	Cian fino 5	000 ⇔ 255	Modo RGBW: 0–100% / Modo CMY: 100–0%
60	Verde 5	Magenta 5	000 ⇔ 255	Modo RGBW: 0–100% / Modo CMY: 100–0%
61	Verde fino 5	Magenta fino 5	000 ⇔ 255	Modo RGBW: 0–100% / Modo CMY: 100–0%
62	Azul 5	Amarillo 5	000 ⇔ 255	Modo RGBW: 0–100% / Modo CMY: 100–0%
63	Azul fino 5	Amarillo fino 5	000 ⇔ 255	Modo RGBW: 0–100% / Modo CMY: 100–0%
64	Blanco 5		000 ⇔ 255	Modo RGBW: 0–100% / Modo CMY: 100–0%
65	Blanco fino 5		000 ⇔ 255	Modo RGBW: 0–100% / Modo CMY: 100–0%
66	Rojo 6	Cian 6	000 ⇔ 255	Modo RGBW: 0–100% / Modo CMY: 100–0%
67	Rojo fino 6	Cian fino 6	000 ⇔ 255	Modo RGBW: 0–100% / Modo CMY: 100–0%
68	Verde 6	Magenta 6	000 ⇔ 255	Modo RGBW: 0–100% / Modo CMY: 100–0%
69	Verde fino 6	Magenta fino 6	000 ⇔ 255	Modo RGBW: 0–100% / Modo CMY: 100–0%
70	Azul 6	Amarillo 6	000 ⇔ 255	Modo RGBW: 0–100% / Modo CMY: 100–0%
71	Azul fino 6	Amarillo fino 6	000 ⇔ 255	Modo RGBW: 0–100% / Modo CMY: 100–0%
72	Blanco 6		000 ⇔ 255	Modo RGBW: 0–100% / Modo CMY: 100–0%
73	Blanco fino 6		000 ⇔ 255	Modo RGBW: 0–100% / Modo CMY: 100–0%
74	Rojo 7	Cian 7	000 ⇔ 255	Modo RGBW: 0–100% / Modo CMY: 100–0%
75	Rojo fino 7	Cian fino 7	000 ⇔ 255	Modo RGBW: 0–100% / Modo CMY: 100–0%
76	Verde 7	Magenta 7	000 ⇔ 255	Modo RGBW: 0–100% / Modo CMY: 100–0%
77	Verde fino 7	Magenta fino 7	000 ⇔ 255	Modo RGBW: 0–100% / Modo CMY: 100–0%
78	Azul 7	Amarillo 7	000 ⇔ 255	Modo RGBW: 0–100% / Modo CMY: 100–0%
79	Azul fino 7	Amarillo fino 7	000 ⇔ 255	Modo RGBW: 0–100% / Modo CMY: 100–0%
80	Blanco 7		000 ⇔ 255	Modo RGBW: 0–100% / Modo CMY: 100–0%
81	Blanco fino 7		000 ⇔ 255	Modo RGBW: 0–100% / Modo CMY: 100–0%
82	Rojo 8	Cian 8	000 ⇔ 255	Modo RGBW: 0–100% / Modo CMY: 100–0%
83	Rojo fino 8	Cian fino 8	000 ⇔ 255	Modo RGBW: 0–100% / Modo CMY: 100–0%
84	Verde 8	Magenta 8	000 ⇔ 255	Modo RGBW: 0–100% / Modo CMY: 100–0%
85	Verde fino 8	Magenta fino 8	000 ⇔ 255	Modo RGBW: 0–100% / Modo CMY: 100–0%

Canal	Función	Valor	Porcentaje/Configuración
86	Azul 8 Amarillo 8	000 ⇔ 255	Modo RGBW: 0–100% / Modo CMY: 100–0%
87	Azul fino 8 Amarillo fino 8	000 ⇔ 255	Modo RGBW: 0–100% / Modo CMY: 100–0%
88	Blanco 8	000 ⇔ 255	Modo RGBW: 0–100% / Modo CMY: 100–0%
89	Blanco fino 8	000 ⇔ 255	Modo RGBW: 0–100% / Modo CMY: 100–0%

Single Control: Modo “Standard” (51CH)

Canal	Función	Valor	Porcentaje/Configuración
1	Inclinación	000 ⇔ 255	0–100%
2	Inclinación fino	000 ⇔ 255	0–100%
3	Velocidad de inclinación	000 ⇔ 255	0–100%
4	CTC	000 001 ⇔ 255	Sin función Temperature de color, 1900–2700 K
5	Color	000 ⇔ 255	ver Catálogo de colores
6	Diseños (ver Catálogo de colores)	000 001 ⇔ 215 216 ⇔ 255	Sin función Diseño 1–215 Sin función
7	Macro LED	000 ⇔ 255	ver Macro LED
8	Velocidad macro LED	000 ⇔ 127 128 129 ⇔ 255	Rápido a lento sentido horario Mantener Lento a rápido, sentido antihorario
9	Retardo LED integrado	000 ⇔ 255	Rápido a lento
10	Color de fondo	000 ⇔ 255	ver Catálogo de colores
11	Atenuador de color de fondo	000 ⇔ 255	0–100%
12	Atenuador	000 ⇔ 255	0–100%
13	Obturador	000 ⇔ 255	ver Configuración de obturador
14	Zoom	000 ⇔ 255	Ancho a estrecho
15	Control	000 ⇔ 255	ver Configuración de control
16	Rojo principal	000 ⇔ 255	Modo RGBW: 0–100% / Modo CMY: 100–0%
17	Verde principal	000 ⇔ 255	Modo RGBW: 0–100% / Modo CMY: 100–0%
18	Azul principal	000 ⇔ 255	Modo RGBW: 0–100% / Modo CMY: 100–0%
19	Blanco principal	000 ⇔ 255	Modo RGBW: 0–100% / Modo CMY: 100–0%
20	Rojo 1 Cian 1	000 ⇔ 255	Modo RGBW: 0–100% / Modo CMY: 100–0%
21	Verde 1 Magenta 1	000 ⇔ 255	Modo RGBW: 0–100% / Modo CMY: 100–0%
22	Azul 1 Amarillo 1	000 ⇔ 255	Modo RGBW: 0–100% / Modo CMY: 100–0%
23	Blanco 1	000 ⇔ 255	Modo RGBW: 0–100% / Modo CMY: 100–0%
24	Rojo 2 Cian 2	000 ⇔ 255	Modo RGBW: 0–100% / Modo CMY: 100–0%
25	Verde 2 Magenta 2	000 ⇔ 255	Modo RGBW: 0–100% / Modo CMY: 100–0%
26	Azul 2 Amarillo 2	000 ⇔ 255	Modo RGBW: 0–100% / Modo CMY: 100–0%
27	Blanco 2	000 ⇔ 255	Modo RGBW: 0–100% / Modo CMY: 100–0%
28	Rojo 3 Cian 3	000 ⇔ 255	Modo RGBW: 0–100% / Modo CMY: 100–0%
29	Verde 3 Magenta 3	000 ⇔ 255	Modo RGBW: 0–100% / Modo CMY: 100–0%
30	Azul 3 Amarillo 3	000 ⇔ 255	Modo RGBW: 0–100% / Modo CMY: 100–0%
31	Blanco 3	000 ⇔ 255	Modo RGBW: 0–100% / Modo CMY: 100–0%
32	Rojo 4 Cian 4	000 ⇔ 255	Modo RGBW: 0–100% / Modo CMY: 100–0%
33	Verde 4 Magenta 4	000 ⇔ 255	Modo RGBW: 0–100% / Modo CMY: 100–0%
34	Azul 4 Amarillo 4	000 ⇔ 255	Modo RGBW: 0–100% / Modo CMY: 100–0%
35	Blanco 4	000 ⇔ 255	Modo RGBW: 0–100% / Modo CMY: 100–0%
36	Rojo 5 Cian 5	000 ⇔ 255	Modo RGBW: 0–100% / Modo CMY: 100–0%
37	Verde 5 Magenta 5	000 ⇔ 255	Modo RGBW: 0–100% / Modo CMY: 100–0%
38	Azul 5 Amarillo 5	000 ⇔ 255	Modo RGBW: 0–100% / Modo CMY: 100–0%

Canal	Función	Valor	Porcentaje/Configuración
39	Blanco 5	000 ⇔ 255	Modo RGBW: 0–100% / Modo CMY: 100–0%
40	Rojo 6 Cian 6	000 ⇔ 255	Modo RGBW: 0–100% / Modo CMY: 100–0%
41	Verde 6 Magenta 6	000 ⇔ 255	Modo RGBW: 0–100% / Modo CMY: 100–0%
42	Azul 6 Amarillo 6	000 ⇔ 255	Modo RGBW: 0–100% / Modo CMY: 100–0%
43	Blanco 6	000 ⇔ 255	Modo RGBW: 0–100% / Modo CMY: 100–0%
44	Rojo 7 Cian 7	000 ⇔ 255	Modo RGBW: 0–100% / Modo CMY: 100–0%
45	Verde 7 Magenta 7	000 ⇔ 255	Modo RGBW: 0–100% / Modo CMY: 100–0%
46	Azul 7 Amarillo 7	000 ⇔ 255	Modo RGBW: 0–100% / Modo CMY: 100–0%
47	Blanco 7	000 ⇔ 255	Modo RGBW: 0–100% / Modo CMY: 100–0%
48	Rojo 8 Cian 8	000 ⇔ 255	Modo RGBW: 0–100% / Modo CMY: 100–0%
49	Verde 8 Magenta 8	000 ⇔ 255	Modo RGBW: 0–100% / Modo CMY: 100–0%
50	Azul 8 Amarillo 8	000 ⇔ 255	Modo RGBW: 0–100% / Modo CMY: 100–0%
51	Blanco 8	000 ⇔ 255	Modo RGBW: 0–100% / Modo CMY: 100–0%

Single Control: Modo “Basic” (19CH)

Canal	Función	Valor	Porcentaje/Configuración
1	Inclinación	000 ⇔ 255	0–100%
2	Inclinación fino	000 ⇔ 255	0–100%
3	Velocidad de inclinación	000 ⇔ 255	0–100%
4	CTC	000 001 ⇔ 255	Sin función Temperature de color, 1900–2700 K
5	Color	000 ⇔ 255	ver Catálogo de colores
6	Diseños (ver Catálogo de colores)	000 001 ⇔ 215 216 ⇔ 255	Sin función Diseño 1–215 Sin función
7	Macro LED	000 ⇔ 255	ver Macro LED
8	Velocidad macro LED	000 ⇔ 127 128 129 ⇔ 255	Rápido a lento sentido horario Mantener Lento a rápido, sentido antihorario
9	Retardo LED integrado	000 ⇔ 255	Rápido a lento
10	Color de fondo	000 ⇔ 255	ver Catálogo de colores
11	Atenuador de color de fondo	000 ⇔ 255	0–100%
12	Atenuador	000 ⇔ 255	0–100%
13	Obturador	000 ⇔ 255	ver Configuración de obturador
14	Zoom	000 ⇔ 255	Ancho a estrecho
15	Control	000 ⇔ 255	ver Configuración de control
16	Rojo	000 ⇔ 255	Modo RGBW: 0–100% / Modo CMY: 100–0%
17	Verde	000 ⇔ 255	Modo RGBW: 0–100% / Modo CMY: 100–0%
18	Azul	000 ⇔ 255	Modo RGBW: 0–100% / Modo CMY: 100–0%
19	Blanco	000 ⇔ 255	Modo RGBW: 0–100% / Modo CMY: 100–0%



La personalidad «Single Control: Basic» del COLORado PXL Bar 8 coincide exactamente con la personalidad «Single Control: Basic2» del COLORado PXL Bar 16.

Dual Control Movement: Modo “Advanced” (25CH)

Canal	Función	Valor	Porcentaje/Configuración
1	Inclinación	000 ⇔ 255	0–100%
2	Inclinación fino	000 ⇔ 255	0–100%
3	Velocidad de inclinación	000 ⇔ 255	0–100%
4	CTC	000 001 ⇔ 255	Sin función Temperatura de color, 1900–2700 K
5	Color	000 ⇔ 255	ver Catálogo de colores
6	Diseños (ver Catálogo de colores)	000 001 ⇔ 215 216 ⇔ 255	Sin función Diseño 1–215 Sin función
7	Macro LED	000 ⇔ 255	ver Macro LED
8	Velocidad macro LED	000 ⇔ 127 128 129 ⇔ 255	Rápido a lento sentido horario Mantener Lento a rápido, sentido antihorario
9	Retardo LED integrado	000 ⇔ 255	Rápido a lento
10	Color de fondo	000 ⇔ 255	ver Catálogo de colores
11	Atenuador de color de fondo	000 ⇔ 255	0–100%
12	Atenuador fino de color de fondo	000 ⇔ 255	0–100%
13	Atenuador	000 ⇔ 255	0–100%
14	Atenuador fino	000 ⇔ 255	0–100%
15	Obturador	000 ⇔ 255	ver Configuración de obturador
16	Zoom	000 ⇔ 255	Ancho a estrecho
17	Control	000 ⇔ 255	ver Configuración de control
18	Rojo	000 ⇔ 255	Modo RGBW: 0–100% / Modo CMY: 100–0%
19	Rojo fino	000 ⇔ 255	Modo RGBW: 0–100% / Modo CMY: 100–0%
20	Verde	000 ⇔ 255	Modo RGBW: 0–100% / Modo CMY: 100–0%
21	Verde fino	000 ⇔ 255	Modo RGBW: 0–100% / Modo CMY: 100–0%
22	Azul	000 ⇔ 255	Modo RGBW: 0–100% / Modo CMY: 100–0%
23	Azul fino	000 ⇔ 255	Modo RGBW: 0–100% / Modo CMY: 100–0%
24	Blanco	000 ⇔ 255	Modo RGBW: 0–100% / Modo CMY: 100–0%
25	Blanco fino	000 ⇔ 255	Modo RGBW: 0–100% / Modo CMY: 100–0%

Dual Control Movement: Modo “Standard” (19CH)

Canal	Función	Valor	Porcentaje/Configuración
1	Inclinación	000 ⇔ 255	0–100%
2	Inclinación fino	000 ⇔ 255	0–100%
3	Velocidad de inclinación	000 ⇔ 255	0–100%
4	CTC	000	Sin función
		001 ⇔ 255	Temperature de color, 1900–2700 K
5	Color	000 ⇔ 255	ver Catálogo de colores
6	Diseños (ver Catálogo de colores)	000	Sin función
		001 ⇔ 215	Diseño 1–215
		216 ⇔ 255	Sin función
7	Macro LED	000 ⇔ 255	ver Macro LED
8	Velocidad macro LED	000 ⇔ 127	Rápido a lento sentido horario
		128	Mantener
		129 ⇔ 255	Lento a rápido, sentido antihorario
9	Retardo LED integrado	000 ⇔ 255	Rápido a lento
10	Color de fondo	000 ⇔ 255	ver Catálogo de colores
11	Atenuador de color de fondo	000 ⇔ 255	0–100%
12	Atenuador	000 ⇔ 255	0–100%
13	Obturador	000 ⇔ 255	ver Configuración de obturador
14	Zoom	000 ⇔ 255	Ancho a estrecho
15	Control	000 ⇔ 255	ver Configuración de control
16	Rojo	000 ⇔ 255	Modo RGBW: 0–100% / Modo CMY: 100–0%
17	Verde	000 ⇔ 255	Modo RGBW: 0–100% / Modo CMY: 100–0%
18	Azul	000 ⇔ 255	Modo RGBW: 0–100% / Modo CMY: 100–0%
19	Blanco	000 ⇔ 255	Modo RGBW: 0–100% / Modo CMY: 100–0%

Dual Control Movement: Modo “Basic” (7CH)

Canal	Función	Valor	Porcentaje/Configuración
1	Inclinación	000 ⇔ 255	0–100%
2	Inclinación fino	000 ⇔ 255	0–100%
3	Velocidad de inclinación	000 ⇔ 255	0–100%
4	Atenuador	000 ⇔ 255	0–100%
5	Obturador	000 ⇔ 255	ver Configuración de obturador
6	Zoom	000 ⇔ 255	Ancho a estrecho
7	Control	000 ⇔ 255	ver Configuración de control



La personalidad «Dual Control Movement: Basic» del COLORado PXL Bar 8 coincide exactamente con la personalidad «Dual Control Movement: Basic2» del COLORado PXL Bar 16.

Dual Control LED: Modo “Advanced” (64CH)

Canal	Función		Valor	Porcentaje/Configuración
1	Rojo 1	Cian 1	000 ⇔ 255	Modo RGBW: 0–100% / Modo CMY: 100–0%
2	Rojo fino 1	Cian fino 1	000 ⇔ 255	Modo RGBW: 0–100% / Modo CMY: 100–0%
3	Verde 1	Magenta 1	000 ⇔ 255	Modo RGBW: 0–100% / Modo CMY: 100–0%
4	Verde fino 1	Magenta fino 1	000 ⇔ 255	Modo RGBW: 0–100% / Modo CMY: 100–0%
5	Azul 1	Amarillo 1	000 ⇔ 255	Modo RGBW: 0–100% / Modo CMY: 100–0%
6	Azul fino 1	Amarillo fino 1	000 ⇔ 255	Modo RGBW: 0–100% / Modo CMY: 100–0%
7	Blanco 1		000 ⇔ 255	Modo RGBW: 0–100% / Modo CMY: 100–0%
8	Blanco fino 1		000 ⇔ 255	Modo RGBW: 0–100% / Modo CMY: 100–0%
9	Rojo 2	Cian 2	000 ⇔ 255	Modo RGBW: 0–100% / Modo CMY: 100–0%
10	Rojo fino 2	Cian fino 2	000 ⇔ 255	Modo RGBW: 0–100% / Modo CMY: 100–0%
11	Verde 2	Magenta 2	000 ⇔ 255	Modo RGBW: 0–100% / Modo CMY: 100–0%
12	Verde fino 2	Magenta fino 2	000 ⇔ 255	Modo RGBW: 0–100% / Modo CMY: 100–0%
13	Azul 2	Amarillo 2	000 ⇔ 255	Modo RGBW: 0–100% / Modo CMY: 100–0%
14	Azul fino 2	Amarillo fino 2	000 ⇔ 255	Modo RGBW: 0–100% / Modo CMY: 100–0%
15	Blanco 2		000 ⇔ 255	Modo RGBW: 0–100% / Modo CMY: 100–0%
16	Blanco fino 2		000 ⇔ 255	Modo RGBW: 0–100% / Modo CMY: 100–0%
17	Rojo 3	Cian 3	000 ⇔ 255	Modo RGBW: 0–100% / Modo CMY: 100–0%
18	Rojo fino 3	Cian fino 3	000 ⇔ 255	Modo RGBW: 0–100% / Modo CMY: 100–0%
19	Verde 3	Magenta 3	000 ⇔ 255	Modo RGBW: 0–100% / Modo CMY: 100–0%
20	Verde fino 3	Magenta fino 3	000 ⇔ 255	Modo RGBW: 0–100% / Modo CMY: 100–0%
21	Azul 3	Amarillo 3	000 ⇔ 255	Modo RGBW: 0–100% / Modo CMY: 100–0%
22	Azul fino 3	Amarillo fino 3	000 ⇔ 255	Modo RGBW: 0–100% / Modo CMY: 100–0%
23	Blanco 3		000 ⇔ 255	Modo RGBW: 0–100% / Modo CMY: 100–0%
24	Blanco fino 3		000 ⇔ 255	Modo RGBW: 0–100% / Modo CMY: 100–0%
25	Rojo 4	Cian 4	000 ⇔ 255	Modo RGBW: 0–100% / Modo CMY: 100–0%
26	Rojo fino 4	Cian fino 4	000 ⇔ 255	Modo RGBW: 0–100% / Modo CMY: 100–0%
27	Verde 4	Magenta 4	000 ⇔ 255	Modo RGBW: 0–100% / Modo CMY: 100–0%
28	Verde fino 4	Magenta fino 4	000 ⇔ 255	Modo RGBW: 0–100% / Modo CMY: 100–0%
29	Azul 4	Amarillo 4	000 ⇔ 255	Modo RGBW: 0–100% / Modo CMY: 100–0%
30	Azul fino 4	Amarillo fino 4	000 ⇔ 255	Modo RGBW: 0–100% / Modo CMY: 100–0%
31	Blanco 4		000 ⇔ 255	Modo RGBW: 0–100% / Modo CMY: 100–0%
32	Blanco fino 4		000 ⇔ 255	Modo RGBW: 0–100% / Modo CMY: 100–0%
33	Rojo 5	Cian 1	000 ⇔ 255	Modo RGBW: 0–100% / Modo CMY: 100–0%
34	Rojo fino 5	Cian fino 1	000 ⇔ 255	Modo RGBW: 0–100% / Modo CMY: 100–0%
35	Verde 5	Magenta 1	000 ⇔ 255	Modo RGBW: 0–100% / Modo CMY: 100–0%
36	Verde fino 5	Magenta fino 1	000 ⇔ 255	Modo RGBW: 0–100% / Modo CMY: 100–0%
37	Azul 5	Amarillo 1	000 ⇔ 255	Modo RGBW: 0–100% / Modo CMY: 100–0%
38	Azul fino 5	Amarillo fino 1	000 ⇔ 255	Modo RGBW: 0–100% / Modo CMY: 100–0%
39	Blanco 5		000 ⇔ 255	Modo RGBW: 0–100% / Modo CMY: 100–0%
40	Blanco fino 5		000 ⇔ 255	Modo RGBW: 0–100% / Modo CMY: 100–0%
41	Rojo 6	Cian 6	000 ⇔ 255	Modo RGBW: 0–100% / Modo CMY: 100–0%
42	Rojo fino 6	Cian fino 6	000 ⇔ 255	Modo RGBW: 0–100% / Modo CMY: 100–0%
43	Verde 6	Magenta 6	000 ⇔ 255	Modo RGBW: 0–100% / Modo CMY: 100–0%
44	Verde fino 6	Magenta fino 6	000 ⇔ 255	Modo RGBW: 0–100% / Modo CMY: 100–0%
45	Azul 6	Amarillo 6	000 ⇔ 255	Modo RGBW: 0–100% / Modo CMY: 100–0%
46	Azul fino 6	Amarillo fino 6	000 ⇔ 255	Modo RGBW: 0–100% / Modo CMY: 100–0%
47	Blanco 6		000 ⇔ 255	Modo RGBW: 0–100% / Modo CMY: 100–0%
48	Blanco fino 6		000 ⇔ 255	Modo RGBW: 0–100% / Modo CMY: 100–0%
49	Rojo 7	Cian 7	000 ⇔ 255	Modo RGBW: 0–100% / Modo CMY: 100–0%
50	Rojo fino 7	Cian fino 7	000 ⇔ 255	Modo RGBW: 0–100% / Modo CMY: 100–0%

Canal	Función		Valor	Porcentaje/Configuración
51	Verde 7	Magenta 7	000 ⇔ 255	Modo RGBW: 0–100% / Modo CMY: 100–0%
52	Verde fino 7	Magenta fino 7	000 ⇔ 255	Modo RGBW: 0–100% / Modo CMY: 100–0%
53	Azul 7	Amarillo 7	000 ⇔ 255	Modo RGBW: 0–100% / Modo CMY: 100–0%
54	Azul fino 7	Amarillo fino 7	000 ⇔ 255	Modo RGBW: 0–100% / Modo CMY: 100–0%
55	Blanco 7		000 ⇔ 255	Modo RGBW: 0–100% / Modo CMY: 100–0%
56	Blanco fino 7		000 ⇔ 255	Modo RGBW: 0–100% / Modo CMY: 100–0%
57	Rojo 8	Cian 8	000 ⇔ 255	Modo RGBW: 0–100% / Modo CMY: 100–0%
58	Rojo fino 8	Cian fino 8	000 ⇔ 255	Modo RGBW: 0–100% / Modo CMY: 100–0%
59	Verde 8	Magenta 8	000 ⇔ 255	Modo RGBW: 0–100% / Modo CMY: 100–0%
60	Verde fino 8	Magenta fino 8	000 ⇔ 255	Modo RGBW: 0–100% / Modo CMY: 100–0%
61	Azul 8	Amarillo 8	000 ⇔ 255	Modo RGBW: 0–100% / Modo CMY: 100–0%
62	Azul fino 8	Amarillo fino 8	000 ⇔ 255	Modo RGBW: 0–100% / Modo CMY: 100–0%
63	Blanco 8		000 ⇔ 255	Modo RGBW: 0–100% / Modo CMY: 100–0%
64	Blanco fino 8		000 ⇔ 255	Modo RGBW: 0–100% / Modo CMY: 100–0%

Dual Control LED: Modo “Standard” (32CH)

Canal	Función		Valor	Porcentaje/Configuración
1	Rojo 1	Cian 1	000 ⇔ 255	Modo RGBW: 0–100% / Modo CMY: 100–0%
2	Verde 1	Magenta 1	000 ⇔ 255	Modo RGBW: 0–100% / Modo CMY: 100–0%
3	Azul 1	Amarillo 1	000 ⇔ 255	Modo RGBW: 0–100% / Modo CMY: 100–0%
4	Blanco 1		000 ⇔ 255	Modo RGBW: 0–100% / Modo CMY: 100–0%
5	Rojo 2	Cian 2	000 ⇔ 255	Modo RGBW: 0–100% / Modo CMY: 100–0%
6	Verde 2	Magenta 2	000 ⇔ 255	Modo RGBW: 0–100% / Modo CMY: 100–0%
7	Azul 2	Amarillo 2	000 ⇔ 255	Modo RGBW: 0–100% / Modo CMY: 100–0%
8	Blanco 2		000 ⇔ 255	Modo RGBW: 0–100% / Modo CMY: 100–0%
9	Rojo 3	Cian 3	000 ⇔ 255	Modo RGBW: 0–100% / Modo CMY: 100–0%
10	Verde 3	Magenta 3	000 ⇔ 255	Modo RGBW: 0–100% / Modo CMY: 100–0%
11	Azul 3	Amarillo 3	000 ⇔ 255	Modo RGBW: 0–100% / Modo CMY: 100–0%
12	Blanco 3		000 ⇔ 255	Modo RGBW: 0–100% / Modo CMY: 100–0%
13	Rojo 4	Cian 4	000 ⇔ 255	Modo RGBW: 0–100% / Modo CMY: 100–0%
14	Verde 4	Magenta 4	000 ⇔ 255	Modo RGBW: 0–100% / Modo CMY: 100–0%
15	Azul 4	Amarillo 4	000 ⇔ 255	Modo RGBW: 0–100% / Modo CMY: 100–0%
16	Blanco 4		000 ⇔ 255	Modo RGBW: 0–100% / Modo CMY: 100–0%
17	Rojo 5	Cian 5	000 ⇔ 255	Modo RGBW: 0–100% / Modo CMY: 100–0%
18	Verde 5	Magenta 5	000 ⇔ 255	Modo RGBW: 0–100% / Modo CMY: 100–0%
19	Azul 5	Amarillo 5	000 ⇔ 255	Modo RGBW: 0–100% / Modo CMY: 100–0%
20	Blanco 5		000 ⇔ 255	Modo RGBW: 0–100% / Modo CMY: 100–0%
21	Rojo 6	Cian 6	000 ⇔ 255	Modo RGBW: 0–100% / Modo CMY: 100–0%
22	Verde 6	Magenta 6	000 ⇔ 255	Modo RGBW: 0–100% / Modo CMY: 100–0%
23	Azul 6	Amarillo 6	000 ⇔ 255	Modo RGBW: 0–100% / Modo CMY: 100–0%
24	Blanco 6		000 ⇔ 255	Modo RGBW: 0–100% / Modo CMY: 100–0%
25	Rojo 7	Cian 7	000 ⇔ 255	Modo RGBW: 0–100% / Modo CMY: 100–0%
26	Verde 7	Magenta 7	000 ⇔ 255	Modo RGBW: 0–100% / Modo CMY: 100–0%
27	Azul 7	Amarillo 7	000 ⇔ 255	Modo RGBW: 0–100% / Modo CMY: 100–0%
28	Blanco 7		000 ⇔ 255	Modo RGBW: 0–100% / Modo CMY: 100–0%
29	Rojo 8	Cian 8	000 ⇔ 255	Modo RGBW: 0–100% / Modo CMY: 100–0%
30	Verde 8	Magenta 8	000 ⇔ 255	Modo RGBW: 0–100% / Modo CMY: 100–0%
31	Azul 8	Amarillo 8	000 ⇔ 255	Modo RGBW: 0–100% / Modo CMY: 100–0%
32	Blanco 8		000 ⇔ 255	Modo RGBW: 0–100% / Modo CMY: 100–0%

Dual Control LED: Modo “Basic” (24CH)

Canal	Función		Valor	Porcentaje/Configuración
1	Rojo 1	Cian 1	000 ⇔ 255	Modo RGBW: 0–100% / Modo CMY: 100–0%
2	Verde 1	Magenta 1	000 ⇔ 255	Modo RGBW: 0–100% / Modo CMY: 100–0%
3	Azul 1	Amarillo 1	000 ⇔ 255	Modo RGBW: 0–100% / Modo CMY: 100–0%
4	Rojo 2	Cian 2	000 ⇔ 255	Modo RGBW: 0–100% / Modo CMY: 100–0%
5	Verde 2	Magenta 2	000 ⇔ 255	Modo RGBW: 0–100% / Modo CMY: 100–0%
6	Azul 2	Amarillo 2	000 ⇔ 255	Modo RGBW: 0–100% / Modo CMY: 100–0%
7	Rojo 3	Cian 3	000 ⇔ 255	Modo RGBW: 0–100% / Modo CMY: 100–0%
8	Verde 3	Magenta 3	000 ⇔ 255	Modo RGBW: 0–100% / Modo CMY: 100–0%
9	Azul 3	Amarillo 3	000 ⇔ 255	Modo RGBW: 0–100% / Modo CMY: 100–0%
10	Rojo 4	Cian 4	000 ⇔ 255	Modo RGBW: 0–100% / Modo CMY: 100–0%
11	Verde 4	Magenta 4	000 ⇔ 255	Modo RGBW: 0–100% / Modo CMY: 100–0%
12	Azul 4	Amarillo 4	000 ⇔ 255	Modo RGBW: 0–100% / Modo CMY: 100–0%
13	Rojo 5	Cian 5	000 ⇔ 255	Modo RGBW: 0–100% / Modo CMY: 100–0%
14	Verde 5	Magenta 5	000 ⇔ 255	Modo RGBW: 0–100% / Modo CMY: 100–0%
15	Azul 5	Amarillo 5	000 ⇔ 255	Modo RGBW: 0–100% / Modo CMY: 100–0%
16	Rojo 6	Cian 6	000 ⇔ 255	Modo RGBW: 0–100% / Modo CMY: 100–0%
17	Verde 6	Magenta 6	000 ⇔ 255	Modo RGBW: 0–100% / Modo CMY: 100–0%
18	Azul 6	Amarillo 6	000 ⇔ 255	Modo RGBW: 0–100% / Modo CMY: 100–0%
19	Rojo 7	Cian 7	000 ⇔ 255	Modo RGBW: 0–100% / Modo CMY: 100–0%
20	Verde 7	Magenta 7	000 ⇔ 255	Modo RGBW: 0–100% / Modo CMY: 100–0%
21	Azul 7	Amarillo 7	000 ⇔ 255	Modo RGBW: 0–100% / Modo CMY: 100–0%
22	Rojo 8	Cian 8	000 ⇔ 255	Modo RGBW: 0–100% / Modo CMY: 100–0%
23	Verde 8	Magenta 8	000 ⇔ 255	Modo RGBW: 0–100% / Modo CMY: 100–0%
24	Azul 8	Amarillo 8	000 ⇔ 255	Modo RGBW: 0–100% / Modo CMY: 100–0%

Catálogo de colores

Valor	Porcentaje/Configuración				
000	Sin función				
001 ⇔ 002	Blanco 2700K	R = 156	G = 118	B = 0	W = 63
003 ⇔ 004	Blanco 3200K	R = 156	G = 141	B = 5	W = 89
005 ⇔ 006	Blanco 4200K	R = 156	G = 141	B = 14	W = 255
007 ⇔ 008	Blanco 5600K	R = 156	G = 207	B = 54	W = 255
009 ⇔ 010	Blanco 8000K	R = 130	G = 255	B = 96	W = 255
011	Azul	R = 0	G = 0	B = 255	W = 0
012 ⇔ 048	+ verde	R = 0	G = 0-255	B = 255	W = 0
049	Cyan	R = 0	G = 255	B = 255	W = 0
050 ⇔ 086	- azul	R = 0	G = 255	B = 255-0	W = 0
087	Verde	R = 0	G = 255	B = 0	W = 0
088 ⇔ 124	+ rojo	R = 0-255	G = 255	B = 0	W = 0
125	Amarillo	R = 255	G = 255	B = 0	W = 0
126 ⇔ 162	- verde	R = 255	G = 255-0	B = 0	W = 0
163	Rojo	R = 255	G = 0	B = 0	W = 0
164 ⇔ 200	+ azul	R = 255	G = 0	B = 0-255	W = 0
201	Magenta	R = 255	G = 0	B = 255	W = 0
202 ⇔ 238	- rojo	R = 255-0	G = 0	B = 255	W = 0
239	Azul	R = 0	G = 0	B = 255	W = 0
240 ⇔ 247	Cambio de color, rápido a lento				
248 ⇔ 255	Salto de color, rápido a lento				

Configuración de obturador

Valor	Porcentaje/Configuración	Valor	Porcentaje/Configuración
000 ⇔ 019	Apagado	145 ⇔ 149	Encendido
020 ⇔ 024	Encendido	150 ⇔ 164	Estroboscopia aleatorio 0-100%, rápido a lento
025 ⇔ 064	Estroboscopia, rápido a lento	165 ⇔ 169	Encendido
065 ⇔ 069	Encendido	170 ⇔ 184	Estroboscopia pulso, rápido a lento
070 ⇔ 084	Estroboscopia 100-0%, rápido a lento	185 ⇔ 189	Encendido
085 ⇔ 089	Encendido	190 ⇔ 204	Estroboscopia pulso aleatorio, rápido a lento
090 ⇔ 104	Estroboscopia 0-100%, rápido a lento	205 ⇔ 209	Encendido
105 ⇔ 109	Encendido	210 ⇔ 224	Estroboscopia 0-100-0%, rápido a lento
110 ⇔ 124	Estroboscopia aleatorio, rápido a lento	225 ⇔ 229	Encendido
125 ⇔ 129	Encendido	230 ⇔ 244	Estroboscopia pulso aleatorio, rápido a lento
130 ⇔ 144	Estroboscopia aleatorio 100-0%, rápido a lento	245 ⇔ 255	Encendido

Configuración de control

Valor	Porcentaje/Configuración	Valor	Porcentaje/Configuración
000 ⇔ 009	Sin función	095 ⇔ 099	Reservado para usos futuros
010 ⇔ 014	Blackout inclinación	100 ⇔ 104	Inclinación reverso desactivar
015 ⇔ 019	Reservado para usos futuros	105 ⇔ 119	Reservado para usos futuros
020 ⇔ 024	Modo de mezcla de color RGBW (adición)	120 ⇔ 124	Modo de ventilador ECO
025 ⇔ 029	Modo de mezcla de color CMY (sustracción)	125 ⇔ 129	Modo de ventilador al máximo
030 ⇔ 039	Reservado para usos futuros	130 ⇔ 134	Modo de ventilador automático
040 ⇔ 044	Descongelar ventilador encendido	135 ⇔ 139	Modo de atenuador rápido
045 ⇔ 049	Descongelar ventilador apagado	140 ⇔ 144	Modo de atenuador lento
050 ⇔ 054	Reservado para usos futuros	145 ⇔ 149	Linear
055 ⇔ 059	Reiniciar inclinación	150 ⇔ 154	Square
060 ⇔ 064	Restablecer zoom	155 ⇔ 159	i Squa
065 ⇔ 069	Reservado para usos futuros	160 ⇔ 164	SCurve
070 ⇔ 074	Reiniciar todo	165 ⇔ 169	Modo blanco
075 ⇔ 089	Reservado para usos futuros	170 ⇔ 174	Modo completo
090 ⇔ 094	Inclinación reverso	175 ⇔ 255	Reservado para usos futuros

Macro LED

Valor	Porcentaje/Configuración	Valor	Porcentaje/Configuración
000 ⇔ 015	Sin función	136 ⇔ 137	Macro de color automático 38
016 ⇔ 017	Macro de color controlable 1	138 ⇔ 139	Macro de color automático 39
018 ⇔ 019	Macro de color controlable 2	140 ⇔ 141	Macro de color automático 40
020 ⇔ 021	Macro de color controlable 3	142 ⇔ 143	Macro de color automático 41
022 ⇔ 023	Macro de color controlable 4	144 ⇔ 145	Macro de color automático 42
024 ⇔ 025	Macro de color controlable 5	146 ⇔ 147	Macro de color automático 43
026 ⇔ 027	Macro de color controlable 6	148 ⇔ 149	Macro de color automático 44
028 ⇔ 029	Macro de color controlable 7	150 ⇔ 151	Macro de color automático 45
030 ⇔ 031	Macro de color controlable 8	152 ⇔ 153	Macro de color automático 46
032 ⇔ 033	Macro de color controlable 9	154 ⇔ 155	Macro de color automático 47
034 ⇔ 035	Macro de color controlable 10	156 ⇔ 157	Macro de color automático 48
036 ⇔ 037	Macro de color controlable 11	158 ⇔ 159	Macro de color automático 49
038 ⇔ 039	Macro de color controlable 12	160 ⇔ 161	Macro de color automático 50
040 ⇔ 041	Macro de color controlable 13	162 ⇔ 163	Macro de color automático 51
042 ⇔ 043	Macro de color controlable 14	164 ⇔ 165	Macro de color automático 52
044 ⇔ 045	Macro de color controlable 15	166 ⇔ 167	Macro de color automático 53
046 ⇔ 047	Macro de color controlable 16	168 ⇔ 169	Macro de color automático 54
048 ⇔ 049	Macro de color controlable 17	170 ⇔ 171	Macro de color automático 55
050 ⇔ 051	Macro de color controlable 18	172 ⇔ 173	Macro de color automático 56
052 ⇔ 053	Macro de color controlable 19	174 ⇔ 175	Macro de color automático 57
054 ⇔ 055	Macro de color controlable 20	176 ⇔ 177	Macro de color automático 58
056 ⇔ 057	Macro de color controlable 21	178 ⇔ 179	Macro de color automático 59
058 ⇔ 059	Macro de color controlable 22	180 ⇔ 181	Macro de color automático 60
060 ⇔ 061	Macro de color controlable 23	182 ⇔ 183	Macro de color automático 61
062 ⇔ 063	Macro de color controlable 24	184 ⇔ 185	Macro de color automático 62
064 ⇔ 065	Macro de color controlable 25	186 ⇔ 187	Macro de color automático 63
066 ⇔ 067	Macro de color controlable 26	188 ⇔ 189	Macro de color automático 64
068 ⇔ 069	Macro de color controlable 27	190 ⇔ 191	Macro de color automático 65
070 ⇔ 071	Macro de color controlable 28	192 ⇔ 193	Macro de color automático 66
072 ⇔ 073	Macro de color controlable 29	194 ⇔ 195	Macro de color automático 67
074 ⇔ 075	Macro de color controlable 30	196 ⇔ 197	Macro de color automático 68
076 ⇔ 077	Macro de color controlable 31	198 ⇔ 199	Macro de color automático 69
078 ⇔ 079	Macro de color controlable 32	200 ⇔ 201	Macro de color automático 70
080 ⇔ 081	Macro de color controlable 33	202 ⇔ 203	Macro de color automático 71
082 ⇔ 083	Macro de color controlable 34	204 ⇔ 205	Macro de color automático 72
084 ⇔ 085	Macro de color controlable 35	206 ⇔ 207	Macro de color automático 73
086 ⇔ 087	Macro de color controlable 36	208 ⇔ 255	Macro de color automático 74 (macro principal)
088 ⇔ 135	Macro de color controlable 37 (macro principal)		

ES

Diseños

1	○●●●●●●●	44	●○○○●●●●	87	●●●●○○●●	130	●○○○●●●●	173	○●○○○●●●
2	●○●●●●●●	45	●○○○●●●●	88	●●●●○○○●	131	●○○○●●●●	174	○●○○○●●●
3	●●○●●●●●	46	●○○○●●●●	89	●●●●○○○●	132	●○○○●●●●	175	○●●○○○○●
4	●●●○●●●●	47	●○○○●●●●	90	●●●○●●●●	133	●○○○●●●●	176	○●●○○○○●
5	●●●●○●●●	48	●○○○●●●●	91	●●●○○○●●	134	●○○○●●●●	177	○●●●○○○●
6	●●●●●○●●	49	●●○○○●●●	92	●●●○●●●●	135	●○○○●●●●	178	○●●●○○○●
7	●●●●●●○●	50	●●○○○●●●	93	●●●●○○○●	136	●○○○●●●●	179	○●●●○○○●
8	●●●●●●●○	51	●●○○○●●●	94	○○○○●●●●	137	●○○○●●●●	180	○○○●○○○●
9	○○○○○○○○	52	●●○○○●●●	95	○○○●●●●●	138	●○○○●●●●	181	○○○●●●●●
10	○○●●●●●●	53	●●●○○○●●	96	○○○●●●●●	139	●○○○●●●●	182	○○○●●●●●
11	○●○●●●●●	54	●●●○○○●●	97	○○○●●●●●	140	●○○○●●●●	183	○○○●●●●●
12	○●●○●●●●	55	●●●○○○●●	98	○○○●●●●●	141	●○○○●●●●	184	○○○●●●●●
13	○●●●○●●●	56	●●●○○○●●	99	○○○●●●●●	142	●○○○●●●●	185	○○○●●●●●
14	○●●●●○●●	57	●●●○○○●●	100	○○○●●●●●	143	●○○○●●●●	186	○○○●●●●●
15	○●●●●●○●	58	●●●○○○●●	101	○○○●●●●●	144	●○○○●●●●	187	○○○●●●●●
16	○●●●●●●○	59	○○○○●●●●	102	○○○●●●●●	145	●○○○●●●●	188	○○○●●●●●
17	●○○●●●●●	60	○○○●●●●●	103	○○○●●●●●	146	●○○○●●●●	189	●○○●○○○●
18	●○●○●●●●	61	○○○●●●●●	104	○○○●●●●●	147	●○○○●●●●	190	●○○●○○○●
19	●○●●○●●●	62	○○○●●●●●	105	○○○●●●●●	148	●●○○○○●●	191	●○○●○○○●
20	●○●●●○●●	63	○○○●●●●●	106	○○○●●●●●	149	●●○○○○●●	192	●○○●○○○●
21	●○●●●●○●	64	○○○●●●●●	107	○○○●●●●●	150	●●○○○○●●	193	●○○●○○○●
22	●○●●●●●○	65	○○○●●●●●	108	○○○●●●●●	151	●●○○○○●●	194	●○○●○○○●
23	●●○●○○●●	66	○○○●●●●●	109	○○○●●●●●	152	●●○○○○●●	195	●●○○○○●●
24	●●○●○●●●	67	○○○●●●●●	110	○○○●●●●●	153	●●○○○○●●	196	●●○○○○●●
25	●●○●●○●●	68	○○○●●●●●	111	○○○●●●●●	154	●●○●○○○●	197	○○○○○●●●
26	●●○●●●○●	69	○○○●●●●●	112	○○○●●●●●	155	●●○●○○○●	198	○○○○○●●●
27	●●○●●●●○	70	○○○●●●●●	113	○○○●●●●●	156	●●○●○○○●	199	○○○○○●●●
28	●●●○●○○●	71	○○○●●●●●	114	○○○●●●●●	157	●●○●○○○●	200	●○○○○○●●
29	●●●○●○●●	72	○○○●●●●●	115	○○○●●●●●	158	●●●○○○○●	201	●○○○○○●●
30	●●●○●●○●	73	○○○●●●●●	116	○○○●●●●●	159	●●●○○○○●	202	●○●○○○○○
31	●●●○●●●○	74	○○○●●●●●	117	○○○●●●●●	160	●●●○○○○○	203	●○○○○○○○
32	●●●●○●●●	75	○○○●●●●●	118	○○○●●●●●	161	●●●●○○○○	204	○○○○○○○●
33	●●●●●○●●	76	○○○●●●●●	119	○○○●●●●●	162	○○○○○●●●	205	○●○○○○○●
34	●●●●●●○●	77	○○○●●●●●	120	○○○●●●●●	163	○○○○○●●●	206	○●●○○○○○
35	●●●●●●●○	78	○○○●●●●●	121	○○○●●●●●	164	○○○○●●●●	207	●○●○○○○○
36	●●●●●○○●	79	○○○●●●●●	122	○○○●●●●●	165	○○○○●●●●	208	○○○○○○○●
37	●●●●●○○○	80	○○○●●●●●	123	○○○●●●●●	166	●○○○○○●●	209	○○○○○○○●
38	○○○●●●●●	81	○○○●●●●●	124	○○○●●●●●	167	●○○○○○●●	210	○○○○○●○○
39	○○○●○●●●	82	○○○●●●●●	125	○○○●●●●●	168	●○○○○○●●	211	○○○○●○○○
40	○○○●●○●●	83	○○○●●●●●	126	○○○●●●●●	169	●○○○○○●●	212	○○○●○○○○
41	○○○●●●○●	84	●●○●○○○●	127	○○○●●●●●	170	●○○○○○●●	213	○○●○○○○○
42	○○○●●●●○	85	●●○●○○○●	128	○○○●●●●●	171	●●●○○○○○	214	○●○○○○○○
43	○○○●●●●○	86	●●○●○○○●	129	●○○○○○●●	172	○○○○○○○●	215	●○○○○○○○

À Propos de ce Manuel

Le Manuel de Référence du COLORado PXL Bar 8 (MdR) reprend des informations de base sur cet appareil notamment en matière de connexions, montage, options de menu et valeurs DMX. Télécharger le Manuel d'Utilisation sur www.chauvetprofessional.com pour de plus amples informations.

Clause de Non-Responsabilité

Les informations et caractéristiques contenues dans ce manuel sont sujettes à changement sans préavis.

GARANTIE LIMITÉE

VEUILLEZ VISITER NOTRE SITE INTERNET POUR CONSULTER LES MODALITÉS D'ENREGISTREMENT DE LA GARANTIE ET LES CONDITIONS GÉNÉRALES COMPLÈTES.

Pour les clients aux États-Unis et au Mexique: www.chauvetlighting.com/warranty-registration.

Pour les clients du Royaume-Uni, de la République d'Irlande, de la Belgique, des Pays-Bas, du Luxembourg, de la France et de l'Allemagne: www.chauvetlighting.eu/warranty-registration.

Chauvet garantit que cet appareil est exempt de défauts de matériaux et de fabrication dans des conditions normales d'utilisation, pendant la période spécifiée dans la garantie limitée complète consultable sur notre site Internet et sous réserve des exclusions et limitations qui y sont énoncées. Cette garantie ne s'applique qu'à l'acheteur initial du produit et n'est pas transférable. Pour exercer les droits prévus par cette garantie, vous devez fournir une preuve d'achat sous la forme d'un reçu de vente original d'un revendeur autorisé qui indique le nom du produit et la date d'achat. **IL N'EXISTE AUCUNE AUTRE GARANTIE EXPRESSE OU IMPLICITE.** Cette garantie vous confère des droits légaux spécifique. Vous pouvez également bénéficier d'autres droits qui varient selon les états et les pays. Cette garantie n'est valable qu'aux États-Unis, au Royaume-Uni, en République d'Irlande, en Belgique, aux Pays-Bas, au Luxembourg, en France, en Allemagne et au Mexique. Pour connaître les conditions de garantie dans d'autres pays, veuillez consulter votre revendeur local.

Consignes de Sécurité

- N'ouvrez PAS cet appareil. Il ne contient aucun composant susceptible d'être réparé par l'utilisateur.
- Ne regardez PAS la source lumineuse lorsque l'appareil fonctionne.
- Montez toujours cet appareil dans un endroit bien ventilé, à au moins, 20 cm des surfaces adjacentes.
- Ne laissez AUCUNE source inflammable dans un rayon de 20 cm de l'appareil lorsque celui-ci fonctionne.
- N'immergez PAS ce produit (IP 65). Un usage temporaire en extérieur est autorisé.
- Ne convient pas aux installations permanentes en extérieur sur des sites sujets à des conditions environnementales extrêmes. Cela inclut par exemple :
 - L'exposition à un environnement marin ou à une solution saline (à moins de 4,8 kilomètres d'un corps d'eau salée).
 - Lorsque les températures moyennes hautes ou basses du site dépassent les plages de températures indiquées dans ce manuel.
 - Les sites qui sont sujets aux inondations ou qui présentent un risque d'être ensevelis sous la neige.
 - Tout autre endroit où le produit risque d'être soumis à des rayonnements extrêmes ou à des substances caustiques.
- ATTENTION : Le boîtier de cet appareil est brûlant lors du fonctionnement.
- ATTENTION : Lorsque l'appareil est transféré d'un environnement à température extrême à un autre (par exemple d'un camion froid vers une salle de bal chaude et humide), de la condensation peut se former sur les composants électriques internes. Pour éviter de causer des dommages, laissez l'appareil s'acclimater entièrement au milieu environnant avant de le mettre sous tension.
- Utilisez TOUJOURS un câble de sécurité lorsque vous montez cet appareil en hauteur.
- N'utilisez PAS cet appareil si le boîtier, les lentilles ou les câbles vous semblent endommagés.
- Ne connectez PAS cet appareil ni à un gradateur ni à un rhéostat.
- Connectez UNIQUEMENT cet appareil à un circuit protégé et relié à la terre.
- Transportez/Suspendez cet appareil UNIQUEMENT par le support de montage dont il est doté.
- Durant les périodes de non-utilisation, pour éviter tout usure inutile et pour prolonger la durée de vie, déconnectez-entièrement l'appareil en le débranchant de l'alimentation électrique ou en coupant le disjoncteur.
- En cas de sérieux problèmes de fonctionnement, arrêtez le système immédiatement.
- La température ambiante maximale supportée par cet appareil est de 113 °F (45 °C). Ne le faites pas fonctionner à des températures plus élevées.
- Le luminaire doit être placé de manière à ce qu'il ne soit pas possible de le regarder de manière fixe à une distance inférieure à 3,0 m.
- Si le câble ou le cordon flexible externe de ce luminaire est endommagé, il doit être remplacé par un câble ou cordon spécial disponible exclusivement auprès du fabricant ou de son prestataire de service.
- La source lumineuse contenue dans ce luminaire ne peut être remplacée que par le fabricant ou son prestataire de service ou une personne suffisamment qualifiée.
- Ce luminaire est uniquement réservé à un usage professionnel.

Conformité FCC

Cet appareil est conforme à la partie 15, sous-partie B du règlement de la FCC. L'utilisation est soumise aux deux conditions suivantes:

1. Cet appareil ne doit pas causer d'interférences nuisibles, et
2. Cet appareil doit accepter toutes les interférences reçues, y compris celles pouvant entraîner un fonctionnement indésirable.

Tout changement ou modification non expressément approuvé par l'autorité responsable de la conformité pourrait annuler le droit de l'utilisateur à utiliser l'équipement.

Contact

En dehors des États-Unis, du Royaume-Uni, de l'Irlande, du Benelux, de la France, de l'Allemagne, ou du Mexique, contactez votre fournisseur si vous avez besoin d'assistance ou pour retourner un appareil. Référez-vous à [Contact Us](#) à la fin de ce MdR pour obtenir des informations pour nous contacter.

Ce Qui est Inclus

- COLORado PXL Bar 8
- Cordon d'alimentation Seetronic Powerkon IP65
- Fixation Omega avec matériel de montage
- Manuel de Référence

Alimentation CA

Cet appareil est doté d'une alimentation universelle prenant en charge toute tension d'entrée comprise entre 100 et 240 V~, 50/60 Hz.

Connexion Électrique

Il est possible connecter jusqu'à 1 produit COLORado PXL Bar 8 à 100 V, 3 produits à 120 V, 5 produits à 208 V, 6 produits à 230 V ou 6 produits à 240 V. Ne dépassez jamais ce nombre. Les cordons d'alimentation peuvent être achetés séparément.

Prise CA

Connexion	Câble (États-Unis)	Câble (Europe)	Couleur de la vis
Conducteur CA	Noir	Marron	Jaune/Cuivré
Neutre CA	Blanc	Bleu	Argenté
Terre CA	Vert/Jaune	Vert/Jaune	Vert



Durant les périodes de non-utilisation, pour éviter toute usure inutile et pour prolonger la durée de vie, déconnectez-entièrement l'appareil en le débranchant de l'alimentation électrique ou en coupant le disjoncteur.

Connexions du signal

Vous pouvez relier le COLORado PXL Bar 8 à un contrôleur ou à un logiciel de contrôle à l'aide d'une connexion DMX, une connexion Ethernet ou les deux à la fois. En cas d'utilisation du COLORado PXL Bar 8 conjointement avec d'autres appareils compatibles avec les protocoles Art-Net™, sACN ou Kling-Net, vous gardez le contrôle individuel sur un même réseau. Veuillez consulter le manuel d'utilisation pour plus d'informations sur la connexion et la configuration de l'appareil avec ces signaux.

Personnalités de contrôle

Le COLORado PXL Bar 8 utilise les protocoles DMX, Art-Net™, sACN et Kling-Net pour ses personnalités de contrôle:

Single Mode	Dual Mode Movement	Dual Mode LED
Basic (19 canaux)	Basic (7 canaux)	Basic (24 canaux)
Standard (51 canaux)	Standard (19 canaux)	Standard (32 canaux)
Advanced (89 canaux)	Advanced (25 canaux)	Advanced (64 canaux)
Tour (105 canaux)		
Utilise DMX, Art-Net™ ou sACN	Utilise DMX, Art-Net™ ou sACN	Utilise DMX, Art-Net™, sACN ou Kling-Net

Raccordement DMX

Le COLORado PXL Bar 8 fonctionnera avec une console DMX au moyen d'une connexion série DMX à 5 broches. Une introduction au DMX est à votre disposition sur www.chauvetprofessional.com.

RDM (Gestion des périphériques à distance)

Le protocole RDM (gestion des périphériques à distance) est un standard pour la communication bidirectionnelle des appareils dotés de fonctions DMX dans un câblage DMX existant. Le COLORado PXL Bar 8 supporte le protocole RDM permettant un retour d'information pour la surveillance et des changements des options de menu. Veuillez télécharger le manuel de l'utilisateur à partir du site internet www.chauvetprofessional.com pour plus de détails.

Connexions Art-Net™

Art-Net™ est un protocole Ethernet par TCP/IP qui permet de transférer de grandes quantités de données DMX512 en utilisant une connexion Amphenol XLR Net RJ45 sur un grand réseau. Une introduction au protocole Art-Net™ est disponible sur le site internet www.chauvetprofessional.com. Chauvet Professional recommande d'utiliser le mode Unicast pour de meilleurs résultats.

Art-Net™ conçu et droit d'auteur par Artistic Licence Holdings Ltd.

Connexions sACN

Également appelé ANSI E1.31, le streaming ACN est un protocole Ethernet qui utilise les couches et le formatage de l'Architecture for Control Networks pour transporter des données DMX512 par IP ou tout autre réseau compatible ACN.

Connexion Kling-Net

Kling-Net est un protocole réseau qui permet la configuration automatique des appareils d'affichage en utilisant une connexion Ethernet etherCON RJ45. Référez-vous au manuel du logiciel ArKaos pour des instructions détaillées sur la programmation de cet appareil.



- Pour un fonctionnement sans problème, le protocole ArKaos Kling-Net nécessite l'utilisation d'une carte réseau Ethernet gigabit (1000 Mbps) et d'un routeur.
- Le protocole ArKaos Kling-Net permet uniquement de faire fonctionner les modes « Standard LED » ou « Basic LED ».

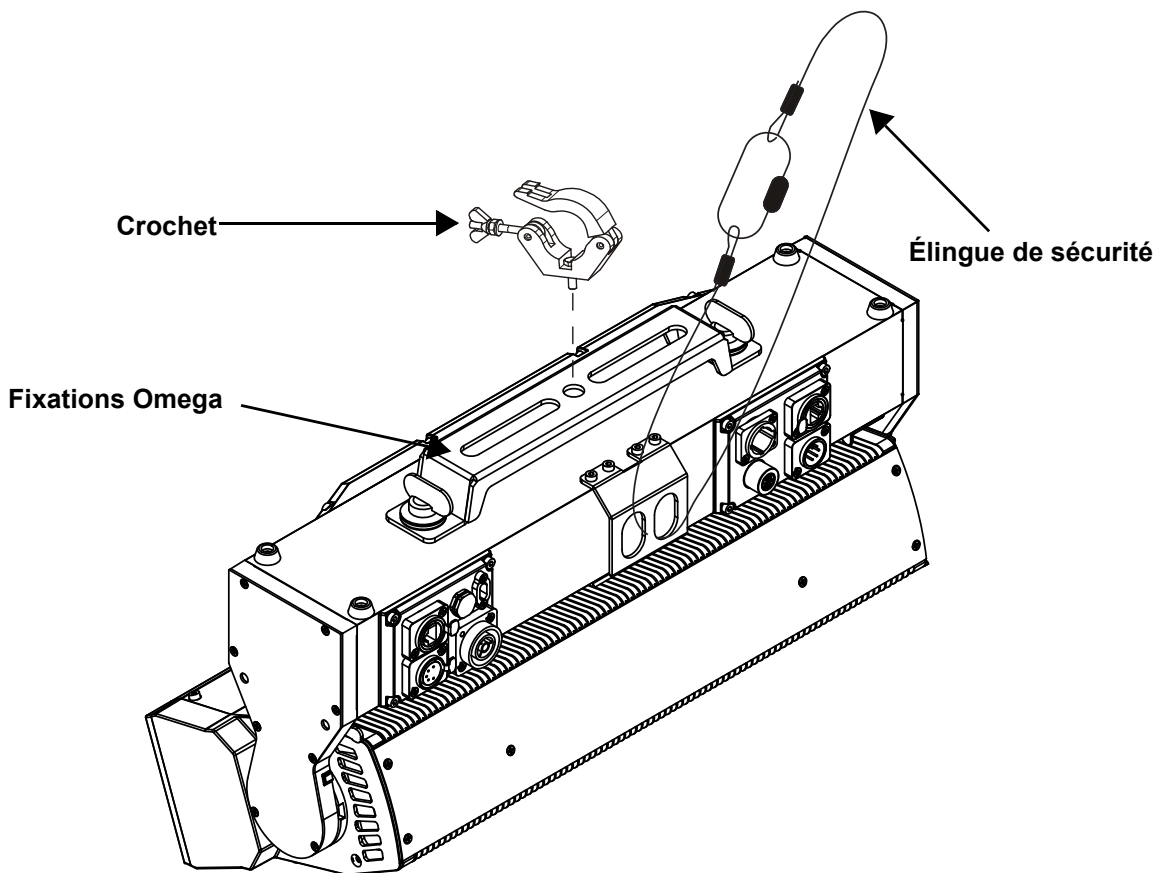
Connexion Maître/ Esclave

Le COLORado PXL Bar 8 utilise une connexion de données DMX pour son mode Maître/Esclave. Consultez le Manuel d'Utilisation pour connecter et configurer le mode de fonctionnement Maître/Esclave.

Installation

Avant de monter cet appareil, lisez et assimilez les [Consignes de Sécurité](#). Utilisez au moins deux points de fixation par appareil. Soyez sûr que les crochets sont capables de supporter le poids du produit. Pour voir notre gamme de crochets, rendez-vous sur <http://trusst.com/productcategory/truss-clamps>.

Schéma de Montage de l'Appareil



Description du Tableau de Commandes

Bouton	Fonction
<MENU>	Permet la sortie du menu ou de la fonction en cours
<ENTER>	Permet l'affichage du menu en cours ou permet de configurer la valeur en cours dans la fonction sélectionnée
<UP>	Permet de parcourir les listes ou les menus vers le haut, dans une fonction permet d'augmenter les valeurs numériques
<DOWN>	Permet de parcourir les listes ou les menus vers le bas, dans une fonction permet de diminuer les valeurs numériques

Plan du Menu

Reportez-vous à la page du produit COLORado PXL Bar 8 sur www.chauvetprofessional.com pour la dernière carte des menu.

Niveaux de Programmation				Description		
Control Settings				Control Settings Niveau Principal		
Single Control	DMX	Personality	Basic	Définir la personnalité DMX (voir la section Personnalités de contrôle)		
			Standard			
			Advanced			
			Tour			
		Start Address	0-512	Définir l'adresse DMX de départ		
	ArtNet	Personality	Basic	Définir la personnalité Art-Net™ (voir la section Personnalités de contrôle)		
			Standard			
			Advanced			
			Tour			
		Start Address	0-512	Définir l'adresse Art-Net™ de départ		
		Universe	0-255	Définir l'univers Art-Net™		
	sACN	Personality	Basic	Définir la personnalité sACN (voir la section Personnalités de contrôle)		
			Standard			
			Advanced			
			Tour			
	Start Address	0-512	Définir l'adresse sACN de départ			
	Universe	0-255	Définir l'univers sACN			
Control Settings	Movement	DMX	Basic	Définir la personnalité DMX (voir la section Personnalités de contrôle)		
			Standard			
			Advanced			
			Tour			
			Start Address	0-512	Définir l'adresse DMX de départ	
		ArtNet	Personality	Basic	Définir la personnalité Art-Net™ (voir la section Personnalités de contrôle)	
				Standard		
				Advanced		
				Tour		
			Start Address	0-512	Définir l'adresse Art-Net™ de départ	
			Universe	0-255	Définir l'univers Art-Net™	
		sACN	Personality	Basic	Définir la personnalité sACN (voir la section Personnalités de contrôle)	
	Standard					
	Advanced					
	Tour					
		Start Address	0-512	Définir l'adresse sACN de départ		
		Universe	0-255	Définir l'univers sACN		
	Dual Control	LED	DMX	Basic	Définir la personnalité DMX (voir la section Personnalités de contrôle)	
				Standard		
				Advanced		
				Tour		
				Start Address	0-512	Définir l'adresse DMX de départ
			ArtNet	Personality	Basic	Définir la personnalité Art-Net™ (voir la section Personnalités de contrôle)
		Standard				
Advanced						
Tour						
		Start Address	0-512	Définir l'adresse Art-Net™ de départ		
		Universe	0-255	Définir l'univers Art-Net™		
sACN		Personality	Basic	Définir la personnalité sACN (voir la section Personnalités de contrôle)		
	Standard					
	Advanced					
	Tour					
	Start Address	0-512	Définir l'adresse sACN de départ			
	Universe	0-255	Définir l'univers sACN			
	KlingNet	Personality	Basic	Définir la personnalité Kling-Net (voir la section Personnalités de contrôle)		
			Standard			

Niveau Principal	Niveaux de Programmation		Description	
Run Mode	Auto Test		Effectuer un test automatique de toutes les fonctions	
	Manual Test	Tilt P/T Speed Red Green Blue White CTC Color Pattern LED Macro LED Ma. Speed LED Ma. Fade Background Background Dim. Dimmer Shutter Function Zoom1 000–255	Contrôler et tester manuellement chaque paramètre depuis le panneau de commande	
Setup	Network Settings	IP Mode	Manual DHCP Static	Réglage manuel de l'adresse IP L'adresse IP est définie par le réseau L'adresse IP est définie par l'appareil
		IP Byte 1–4	000–255	Réglage de l'adresse IP en mode manuel
		SubMask 1–4	000–255	Réglage du masque de sous-réseau en mode manuel
		Tilt Reverse	OFF ON	Fonctionnement normal du tilt Fonctionnement inversé du tilt
	Zoom Reverse	OFF ON	Zoom normal Zoom inverse	
	Screen Reverse	NO YES AUTO	L'écran s'affiche à normal L'écran s'affiche à l'envers Orientation automatique de l'écran	
	Tilt Angle	200 180 60	Plage d'angle de tilt: 200° Plage d'angle de tilt: 180° Plage d'angle de tilt: 60°	
	BL. O. P/T Move	NO YES	Pas de noir général pendant le tilt Noir général pendant le tilt	
	Backlight Timer	30S 1M 5M	L'affichage s'éteint après 30 secondes L'affichage s'éteint après 1 minute L'affichage s'éteint après 5 minutes	
		ON	L'affichage reste allumé	
		Loss of Data	Hold Close	Conservation du dernier signal reçu Extinction de l'unité
	Fans	Auto Full ECO	La vitesse du ventilateur s'adapte à la température de l'appareil La vitesse du ventilateur est réglée sur la vitesse haute Mode silencieux	
		Defrost Fan	OFF ON	Activer le ventilateur de dégivrage Désactiver le ventilateur de dégivrage
		C Mixing Mode	RGBW CMY	Mélange de couleur supplémentaire (0 à 100%) Mélange de couleur retirée (100% à 0)
	Dimmer Curve		Linear Square I Squa SCurve	Définir la courbe de gradation

Niveau Principal	Niveaux de Programmation		Description	
Setup	Dimmer Speed	Smooth	Modifier la vitesse de gradation	
		Fast		
	PWM Option	600Hz	Permet de sélectionner la fréquence de sortie MLI	
		1200Hz		
		2000Hz		
		4000Hz		
		6000Hz		
		15000Hz		
	Cell Order	1–8	La lumière s'active de gauche à droite	
		8–1	La lumière s'active de droite à gauche	
	Calibrated White	ON	Température de sortie de la lumière réglée par défaut à 7500K	
		OFF	Désactive le réglage de calibration du blanc	
		Custom	Ajustez la température de sortie de la lumière à l'aide du paramètre de balance des blancs	
	White Balance	Red	000–255	Définir la valeur maximum de LED rouge
		Green		Définir la valeur maximum de LED verte
		Blue		Définir la valeur maximum de LED bleue
		White		Définir la valeur maximum de LED blanche
Preset Select	PRESET A	Options de menu des préséglages enregistrés		
	PRESET B			
	PRESET C			
Preset Sync	NO	Permet de transférer les options de menu des préséglages enregistrés vers d'autres appareils COLORado PXL Bar 8 de la chaîne DMX en guirlande		
	YES			
USB Update	NO	Active/désactive mise à jour par USB		
	YES			
Reset Function	Tilt	NO	Réinitialiser chaque fonction de manière individuelle ou toutes les fonctions à partir du démarrage	
		YES		
	Zoom	NO		
		YES		
	All	NO		
		YES		
Factory Settings	NO	Réinitialisation aux paramètres par défaut d'usine		
	YES			
Information	Firmware Version		V_	Affiche la version du micrologiciel
	Running Mode		---	Affiche le mode d'exécution actuel
	Address		---	Affiche l'adresse de départ actuelle
	Temperature		---	Affiche la température actuelle de l'appareil en °C
	Fixture Time		-----	Affiche le nombre d'heure pendant lequel l'appareil est resté allumé
	LED Hours			Affiche le nombre total d'heures pendant lesquelles la LED a été allumée
	ArtNet Info	Ip	-----	Affiche l'adresse IP actuelle
		SubMask	-----	Affiche le masque de sous-réseau actuel
		MAC	-----	Affiche l'adresse MAC actuelle
	Device UID		-----	Affiche l'UID du produit
	Fan Information	Head Fan 1–5	-----	Affiche la vitesse du ventilateur de tête 1–5 en tr / min
		Defrost Fan 1		Affiche la vitesse du ventilateur de dégivrage en tr / min
		Base Fan 1		Affiche la vitesse du ventilateur de base en tr/min

Valeurs DMX

Single Control: Mode « Tour » (105CH)

Canal	Fonction	Valeur	Pourcentage/Paramétrage	
1	Inclinaison	000 ⇄ 255	0–100%	
2	Inclinaison fin	000 ⇄ 255	0–100%	
3	Vitesse d'inclinaison	000 ⇄ 255	0–100%	
4	CTC	000 001 ⇄ 255	Pas de fonction Température de couleur, 1900–2700 K	
5	Couleur	000 ⇄ 255	voir Charte de couleurs	
6	Motifs (voir Charte de couleurs)	000 001 ⇄ 215 216 ⇄ 255	Pas de fonction Motif 1–215 Pas de fonction	
7	Macro LED	000 ⇄ 255	voir Macro LED	
8	Vitesse pour macro LED	000 ⇄ 127 128 129 ⇄ 255	Rapide à lent, sens horaire Attente Lent à rapide, dans le sens antihoraire	
9	Décalage interne LED	000 ⇄ 255	Rapide à lent	
10	Couleur de l'arrière plan	000 ⇄ 255	voir Charte de couleurs	
11	Gradateur de l'arrière plan	000 ⇄ 255	0–100%	
12	Gradateur fin de l'arrière plan	000 ⇄ 255	0–100%	
13	Gradateur	000 ⇄ 255	0–100%	
14	Gradateur fin	000 ⇄ 255	0–100%	
15	Obturbateur	000 ⇄ 255	voir Paramètres obturbateur	
16	Zoom	000 ⇄ 255	Large à étroit	
17	Contrôle	000 ⇄ 255	voir Paramètres de contrôle	
18	Rouge principal	000 ⇄ 255	Mode RGBW: 0–100% / Mode CMY: 100–0%	
19	Rouge fin principal	000 ⇄ 255	Mode RGBW: 0–100% / Mode CMY: 100–0%	
20	Vert principal	000 ⇄ 255	Mode RGBW: 0–100% / Mode CMY: 100–0%	
21	Vert fin principal	000 ⇄ 255	Mode RGBW: 0–100% / Mode CMY: 100–0%	
22	Bleu principal	000 ⇄ 255	Mode RGBW: 0–100% / Mode CMY: 100–0%	
23	Bleu fin principal	000 ⇄ 255	Mode RGBW: 0–100% / Mode CMY: 100–0%	
24	Blanc principal	000 ⇄ 255	Mode RGBW: 0–100% / Mode CMY: 100–0%	
25	Blanc fin principal	000 ⇄ 255	Mode RGBW: 0–100% / Mode CMY: 100–0%	
26	Gradateur 1	000 ⇄ 255	0–100%	
27	Gradateur fin 1	000 ⇄ 255	0–100%	
28	Rouge 1	Cyan 1	000 ⇄ 255	Mode RGBW: 0–100% / Mode CMY: 100–0%
29	Rouge fin 1	Cyan fin 1	000 ⇄ 255	Mode RGBW: 0–100% / Mode CMY: 100–0%
30	Vert 1	Magenta 1	000 ⇄ 255	Mode RGBW: 0–100% / Mode CMY: 100–0%
31	Vert fin 1	Magenta fin 1	000 ⇄ 255	Mode RGBW: 0–100% / Mode CMY: 100–0%
32	Bleu 1	Jaune 1	000 ⇄ 255	Mode RGBW: 0–100% / Mode CMY: 100–0%
33	Bleu fin 1	Jaune fin 1	000 ⇄ 255	Mode RGBW: 0–100% / Mode CMY: 100–0%
34	Blanc 1		000 ⇄ 255	Mode RGBW: 0–100% / Mode CMY: 100–0%
35	Blanc fin 1		000 ⇄ 255	Mode RGBW: 0–100% / Mode CMY: 100–0%
36	Gradateur 2		000 ⇄ 255	0–100%
37	Gradateur fin 2		000 ⇄ 255	0–100%
38	Rouge 2	Cyan 2	000 ⇄ 255	Mode RGBW: 0–100% / Mode CMY: 100–0%
39	Rouge fin 2	Cyan fin 2	000 ⇄ 255	Mode RGBW: 0–100% / Mode CMY: 100–0%
40	Vert 2	Magenta 2	000 ⇄ 255	Mode RGBW: 0–100% / Mode CMY: 100–0%
41	Vert fin 2	Magenta fin 2	000 ⇄ 255	Mode RGBW: 0–100% / Mode CMY: 100–0%
42	Bleu 2	Jaune 2	000 ⇄ 255	Mode RGBW: 0–100% / Mode CMY: 100–0%
43	Bleu fin 2	Jaune fin 2	000 ⇄ 255	Mode RGBW: 0–100% / Mode CMY: 100–0%
44	Blanc 2		000 ⇄ 255	Mode RGBW: 0–100% / Mode CMY: 100–0%

Canal	Fonction	Valeur	Pourcentage/Paramétrage
45	Blanc fin 2	000 ⇔ 255	Mode RGBW: 0–100% / Mode CMY: 100–0%
46	Gradateur 3	000 ⇔ 255	0–100%
47	Gradateur fin 3	000 ⇔ 255	0–100%
48	Rouge 3 Cyan 3	000 ⇔ 255	Mode RGBW: 0–100% / Mode CMY: 100–0%
49	Rouge fin 3 Cyan fin 3	000 ⇔ 255	Mode RGBW: 0–100% / Mode CMY: 100–0%
50	Vert 3 Magenta 3	000 ⇔ 255	Mode RGBW: 0–100% / Mode CMY: 100–0%
51	Vert fin 3 Magenta fin 3	000 ⇔ 255	Mode RGBW: 0–100% / Mode CMY: 100–0%
52	Bleu 3 Jaune 3	000 ⇔ 255	Mode RGBW: 0–100% / Mode CMY: 100–0%
53	Bleu fin 3 Jaune fin 3	000 ⇔ 255	Mode RGBW: 0–100% / Mode CMY: 100–0%
54	Blanc 3	000 ⇔ 255	Mode RGBW: 0–100% / Mode CMY: 100–0%
55	Blanc fin 3	000 ⇔ 255	Mode RGBW: 0–100% / Mode CMY: 100–0%
56	Gradateur 4	000 ⇔ 255	0–100%
57	Gradateur fin 4	000 ⇔ 255	0–100%
58	Rouge 4 Cyan 4	000 ⇔ 255	Mode RGBW: 0–100% / Mode CMY: 100–0%
59	Rouge fin 4 Cyan fin 4	000 ⇔ 255	Mode RGBW: 0–100% / Mode CMY: 100–0%
60	Vert 4 Magenta 4	000 ⇔ 255	Mode RGBW: 0–100% / Mode CMY: 100–0%
61	Vert fin 4 Magenta fin 4	000 ⇔ 255	Mode RGBW: 0–100% / Mode CMY: 100–0%
62	Bleu 4 Jaune 4	000 ⇔ 255	Mode RGBW: 0–100% / Mode CMY: 100–0%
63	Bleu fin 4 Jaune fin 4	000 ⇔ 255	Mode RGBW: 0–100% / Mode CMY: 100–0%
64	Blanc 4	000 ⇔ 255	Mode RGBW: 0–100% / Mode CMY: 100–0%
65	Blanc fin 4	000 ⇔ 255	Mode RGBW: 0–100% / Mode CMY: 100–0%
66	Gradateur 5	000 ⇔ 255	0–100%
67	Gradateur fin 5	000 ⇔ 255	0–100%
68	Rouge 5 Cyan 5	000 ⇔ 255	Mode RGBW: 0–100% / Mode CMY: 100–0%
69	Rouge fin 5 Cyan fin 5	000 ⇔ 255	Mode RGBW: 0–100% / Mode CMY: 100–0%
70	Vert 5 Magenta 5	000 ⇔ 255	Mode RGBW: 0–100% / Mode CMY: 100–0%
71	Vert fin 5 Magenta fin 5	000 ⇔ 255	Mode RGBW: 0–100% / Mode CMY: 100–0%
72	Bleu 5 Jaune 5	000 ⇔ 255	Mode RGBW: 0–100% / Mode CMY: 100–0%
73	Bleu fin 5 Jaune fin 5	000 ⇔ 255	Mode RGBW: 0–100% / Mode CMY: 100–0%
74	Blanc 5	000 ⇔ 255	Mode RGBW: 0–100% / Mode CMY: 100–0%
75	Blanc fin 5	000 ⇔ 255	Mode RGBW: 0–100% / Mode CMY: 100–0%
76	Gradateur 6	000 ⇔ 255	0–100%
77	Gradateur fin 6	000 ⇔ 255	0–100%
78	Rouge 6 Cyan 6	000 ⇔ 255	Mode RGBW: 0–100% / Mode CMY: 100–0%
79	Rouge fin 6 Cyan fin 6	000 ⇔ 255	Mode RGBW: 0–100% / Mode CMY: 100–0%
80	Vert 6 Magenta 6	000 ⇔ 255	Mode RGBW: 0–100% / Mode CMY: 100–0%
81	Vert fin 6 Magenta fin 6	000 ⇔ 255	Mode RGBW: 0–100% / Mode CMY: 100–0%
82	Bleu 6 Jaune 6	000 ⇔ 255	Mode RGBW: 0–100% / Mode CMY: 100–0%
83	Bleu fin 6 Jaune fin 6	000 ⇔ 255	Mode RGBW: 0–100% / Mode CMY: 100–0%
84	Blanc 6	000 ⇔ 255	Mode RGBW: 0–100% / Mode CMY: 100–0%
85	Blanc fin 6	000 ⇔ 255	Mode RGBW: 0–100% / Mode CMY: 100–0%
86	Gradateur 7	000 ⇔ 255	0–100%
87	Gradateur fin 7	000 ⇔ 255	0–100%
88	Rouge 7 Cyan 7	000 ⇔ 255	Mode RGBW: 0–100% / Mode CMY: 100–0%
89	Rouge fin 7 Cyan fin 7	000 ⇔ 255	Mode RGBW: 0–100% / Mode CMY: 100–0%
90	Vert 7 Magenta 7	000 ⇔ 255	Mode RGBW: 0–100% / Mode CMY: 100–0%
91	Vert fin 7 Magenta fin 7	000 ⇔ 255	Mode RGBW: 0–100% / Mode CMY: 100–0%
92	Bleu 7 Jaune 7	000 ⇔ 255	Mode RGBW: 0–100% / Mode CMY: 100–0%
93	Bleu fin 7 Jaune fin 7	000 ⇔ 255	Mode RGBW: 0–100% / Mode CMY: 100–0%
94	Blanc 7	000 ⇔ 255	Mode RGBW: 0–100% / Mode CMY: 100–0%
95	Blanc fin 7	000 ⇔ 255	Mode RGBW: 0–100% / Mode CMY: 100–0%

Canal	Fonction	Valeur	Pourcentage/Paramétrage
96	Gradateur 8	000 ⇔ 255	0–100%
97	Gradateur fin 8	000 ⇔ 255	0–100%
98	Rouge 8 Cyan 8	000 ⇔ 255	Mode RGBW: 0–100% / Mode CMY: 100–0%
99	Rouge fin 8 Cyan fin 8	000 ⇔ 255	Mode RGBW: 0–100% / Mode CMY: 100–0%
100	Vert 8 Magenta 8	000 ⇔ 255	Mode RGBW: 0–100% / Mode CMY: 100–0%
101	Vert fin 8 Magenta fin 8	000 ⇔ 255	Mode RGBW: 0–100% / Mode CMY: 100–0%
102	Bleu 8 Jaune 8	000 ⇔ 255	Mode RGBW: 0–100% / Mode CMY: 100–0%
103	Bleu fin 8 Jaune fin 8	000 ⇔ 255	Mode RGBW: 0–100% / Mode CMY: 100–0%
104	Blanc 8	000 ⇔ 255	Mode RGBW: 0–100% / Mode CMY: 100–0%
105	Blanc fin 8	000 ⇔ 255	Mode RGBW: 0–100% / Mode CMY: 100–0%

Single Control: Mode « Advanced » (89CH)

Canal	Fonction	Valeur	Pourcentage/Paramétrage
1	Inclinaison	000 ⇔ 255	0–100%
2	Inclinaison fin	000 ⇔ 255	0–100%
3	Vitesse d'inclinaison	000 ⇔ 255	0–100%
4	CTC	000	Pas de fonction
		001 ⇔ 255	Température de couleur, 1900–2700 K
5	Couleur	000 ⇔ 255	voir Charte de couleurs
6	Motifs (voir Charte de couleurs)	000	Pas de fonction
		001 ⇔ 215	Motif 1–215
		216 ⇔ 255	Pas de fonction
7	Macro LED	000 ⇔ 255	voir Macro LED
8	Vitesse pour macro LED	000 ⇔ 127	Rapide à lent, sens horaire
		128	Attente
		129 ⇔ 255	Lent à rapide, dans le sens antihoraire
9	Décalage interne LED	000 ⇔ 255	Rapide à lent
10	Couleur de l'arrière plan	000 ⇔ 255	voir Charte de couleurs
11	Gradateur de l'arrière plan	000 ⇔ 255	0–100%
12	Gradateur fin de l'arrière plan	000 ⇔ 255	0–100%
13	Gradateur	000 ⇔ 255	0–100%
14	Gradateur fin	000 ⇔ 255	0–100%
15	Obturateur	000 ⇔ 255	voir Paramètres obturateur
16	Zoom	000 ⇔ 255	Large à étroit
17	Contrôle	000 ⇔ 255	voir Paramètres de contrôle
18	Rouge principal	000 ⇔ 255	Mode RGBW: 0–100% / Mode CMY: 100–0%
19	Rouge fin principal	000 ⇔ 255	Mode RGBW: 0–100% / Mode CMY: 100–0%
20	Vert principal	000 ⇔ 255	Mode RGBW: 0–100% / Mode CMY: 100–0%
21	Vert fin principal	000 ⇔ 255	Mode RGBW: 0–100% / Mode CMY: 100–0%
22	Bleu principal	000 ⇔ 255	Mode RGBW: 0–100% / Mode CMY: 100–0%
23	Bleu fin principal	000 ⇔ 255	Mode RGBW: 0–100% / Mode CMY: 100–0%
24	Blanc principal	000 ⇔ 255	Mode RGBW: 0–100% / Mode CMY: 100–0%
25	Blanc fin principal	000 ⇔ 255	Mode RGBW: 0–100% / Mode CMY: 100–0%
26	Rouge 1 Cyan 1	000 ⇔ 255	Mode RGBW: 0–100% / Mode CMY: 100–0%
27	Rouge fin 1 Cyan fin 1	000 ⇔ 255	Mode RGBW: 0–100% / Mode CMY: 100–0%
28	Vert 1 Magenta 1	000 ⇔ 255	Mode RGBW: 0–100% / Mode CMY: 100–0%
29	Vert fin 1 Magenta fin 1	000 ⇔ 255	Mode RGBW: 0–100% / Mode CMY: 100–0%
30	Bleu 1 Jaune 1	000 ⇔ 255	Mode RGBW: 0–100% / Mode CMY: 100–0%
31	Bleu fin 1 Jaune fin 1	000 ⇔ 255	Mode RGBW: 0–100% / Mode CMY: 100–0%
32	Blanc 1	000 ⇔ 255	Mode RGBW: 0–100% / Mode CMY: 100–0%

Canal	Fonction	Valeur	Pourcentage/Paramétrage
33	Blanc fin 1	000 ⇔ 255	Mode RGBW: 0–100% / Mode CMY: 100–0%
34	Rouge 2 Cyan 2	000 ⇔ 255	Mode RGBW: 0–100% / Mode CMY: 100–0%
35	Rouge fin 2 Cyan fin 2	000 ⇔ 255	Mode RGBW: 0–100% / Mode CMY: 100–0%
36	Vert 2 Magenta 2	000 ⇔ 255	Mode RGBW: 0–100% / Mode CMY: 100–0%
37	Vert fin 2 Magenta fin 2	000 ⇔ 255	Mode RGBW: 0–100% / Mode CMY: 100–0%
38	Bleu 2 Jaune 2	000 ⇔ 255	Mode RGBW: 0–100% / Mode CMY: 100–0%
39	Bleu fin 2 Jaune fin 2	000 ⇔ 255	Mode RGBW: 0–100% / Mode CMY: 100–0%
40	Blanc 2	000 ⇔ 255	Mode RGBW: 0–100% / Mode CMY: 100–0%
41	Blanc fin 2	000 ⇔ 255	Mode RGBW: 0–100% / Mode CMY: 100–0%
42	Rouge 3 Cyan 3	000 ⇔ 255	Mode RGBW: 0–100% / Mode CMY: 100–0%
43	Rouge fin 3 Cyan fin 3	000 ⇔ 255	Mode RGBW: 0–100% / Mode CMY: 100–0%
44	Vert 3 Magenta 3	000 ⇔ 255	Mode RGBW: 0–100% / Mode CMY: 100–0%
45	Vert fin 3 Magenta fin 3	000 ⇔ 255	Mode RGBW: 0–100% / Mode CMY: 100–0%
46	Bleu 3 Jaune 3	000 ⇔ 255	Mode RGBW: 0–100% / Mode CMY: 100–0%
47	Bleu fin 3 Jaune fin 3	000 ⇔ 255	Mode RGBW: 0–100% / Mode CMY: 100–0%
48	Blanc 3	000 ⇔ 255	Mode RGBW: 0–100% / Mode CMY: 100–0%
49	Blanc fin 3	000 ⇔ 255	Mode RGBW: 0–100% / Mode CMY: 100–0%
50	Rouge 4 Cyan 4	000 ⇔ 255	Mode RGBW: 0–100% / Mode CMY: 100–0%
51	Rouge fin 4 Cyan fin 4	000 ⇔ 255	Mode RGBW: 0–100% / Mode CMY: 100–0%
52	Vert 4 Magenta 4	000 ⇔ 255	Mode RGBW: 0–100% / Mode CMY: 100–0%
53	Vert fin 4 Magenta fin 4	000 ⇔ 255	Mode RGBW: 0–100% / Mode CMY: 100–0%
54	Bleu 4 Jaune 4	000 ⇔ 255	Mode RGBW: 0–100% / Mode CMY: 100–0%
55	Bleu fin 4 Jaune fin 4	000 ⇔ 255	Mode RGBW: 0–100% / Mode CMY: 100–0%
56	Blanc 4	000 ⇔ 255	Mode RGBW: 0–100% / Mode CMY: 100–0%
57	Blanc fin 4	000 ⇔ 255	Mode RGBW: 0–100% / Mode CMY: 100–0%
58	Rouge 5 Cyan 5	000 ⇔ 255	Mode RGBW: 0–100% / Mode CMY: 100–0%
59	Rouge fin 5 Cyan fin 5	000 ⇔ 255	Mode RGBW: 0–100% / Mode CMY: 100–0%
60	Vert 5 Magenta 5	000 ⇔ 255	Mode RGBW: 0–100% / Mode CMY: 100–0%
61	Vert fin 5 Magenta fin 5	000 ⇔ 255	Mode RGBW: 0–100% / Mode CMY: 100–0%
62	Bleu 5 Jaune 5	000 ⇔ 255	Mode RGBW: 0–100% / Mode CMY: 100–0%
63	Bleu fin 5 Jaune fin 5	000 ⇔ 255	Mode RGBW: 0–100% / Mode CMY: 100–0%
64	Blanc 5	000 ⇔ 255	Mode RGBW: 0–100% / Mode CMY: 100–0%
65	Blanc fin 5	000 ⇔ 255	Mode RGBW: 0–100% / Mode CMY: 100–0%
66	Rouge 6 Cyan 6	000 ⇔ 255	Mode RGBW: 0–100% / Mode CMY: 100–0%
67	Rouge fin 6 Cyan fin 6	000 ⇔ 255	Mode RGBW: 0–100% / Mode CMY: 100–0%
68	Vert 6 Magenta 6	000 ⇔ 255	Mode RGBW: 0–100% / Mode CMY: 100–0%
69	Vert fin 6 Magenta fin 6	000 ⇔ 255	Mode RGBW: 0–100% / Mode CMY: 100–0%
70	Bleu 6 Jaune 6	000 ⇔ 255	Mode RGBW: 0–100% / Mode CMY: 100–0%
71	Bleu fin 6 Jaune fin 6	000 ⇔ 255	Mode RGBW: 0–100% / Mode CMY: 100–0%
72	Blanc 6	000 ⇔ 255	Mode RGBW: 0–100% / Mode CMY: 100–0%
73	Blanc fin 6	000 ⇔ 255	Mode RGBW: 0–100% / Mode CMY: 100–0%
74	Rouge 7 Cyan 7	000 ⇔ 255	Mode RGBW: 0–100% / Mode CMY: 100–0%
75	Rouge fin 7 Cyan fin 7	000 ⇔ 255	Mode RGBW: 0–100% / Mode CMY: 100–0%
76	Vert 7 Magenta 7	000 ⇔ 255	Mode RGBW: 0–100% / Mode CMY: 100–0%
77	Vert fin 7 Magenta fin 7	000 ⇔ 255	Mode RGBW: 0–100% / Mode CMY: 100–0%
78	Bleu 7 Jaune 7	000 ⇔ 255	Mode RGBW: 0–100% / Mode CMY: 100–0%
79	Bleu fin 7 Jaune fin 7	000 ⇔ 255	Mode RGBW: 0–100% / Mode CMY: 100–0%
80	Blanc 7	000 ⇔ 255	Mode RGBW: 0–100% / Mode CMY: 100–0%
81	Blanc fin 7	000 ⇔ 255	Mode RGBW: 0–100% / Mode CMY: 100–0%
82	Rouge 8 Cyan 8	000 ⇔ 255	Mode RGBW: 0–100% / Mode CMY: 100–0%
83	Rouge fin 8 Cyan fin 8	000 ⇔ 255	Mode RGBW: 0–100% / Mode CMY: 100–0%

Canal	Fonction	Valeur	Pourcentage/Paramétrage
84	Vert 8 Magenta 8	000 ⇔ 255	Mode RGBW: 0–100% / Mode CMY: 100–0%
85	Vert fin 8 Magenta fin 8	000 ⇔ 255	Mode RGBW: 0–100% / Mode CMY: 100–0%
86	Bleu 8 Jaune 8	000 ⇔ 255	Mode RGBW: 0–100% / Mode CMY: 100–0%
87	Bleu fin 8 Jaune fin 8	000 ⇔ 255	Mode RGBW: 0–100% / Mode CMY: 100–0%
88	Blanc 8	000 ⇔ 255	Mode RGBW: 0–100% / Mode CMY: 100–0%
89	Blanc fin 8	000 ⇔ 255	Mode RGBW: 0–100% / Mode CMY: 100–0%

Single Control: Mode « Standard » (51CH)

Canal	Fonction	Valeur	Pourcentage/Paramétrage
1	Inclinaison	000 ⇔ 255	0–100%
2	Inclinaison fin	000 ⇔ 255	0–100%
3	Vitesse d'inclinaison	000 ⇔ 255	0–100%
4	CTC	000 001 ⇔ 255	Pas de fonction Température de couleur, 1900–2700 K
5	Couleur	000 ⇔ 255	voir Charte de couleurs
6	Motifs (voir Charte de couleurs)	000 001 ⇔ 215 216 ⇔ 255	Pas de fonction Motif 1–215 Pas de fonction
7	Macro LED	000 ⇔ 255	voir Macro LED
8	Vitesse pour macro LED	000 ⇔ 127 128 129 ⇔ 255	Rapide à lent, sens horaire Attente Lent à rapide, dans le sens antihoraire
9	Décalage interne LED	000 ⇔ 255	Rapide à lent
10	Couleur de l'arrière plan	000 ⇔ 255	voir Charte de couleurs
11	Gradateur de l'arrière plan	000 ⇔ 255	0–100%
12	Gradateur	000 ⇔ 255	0–100%
13	Obturateur	000 ⇔ 255	voir Paramètres obturateur
14	Zoom	000 ⇔ 255	Large à étroit
15	Contrôle	000 ⇔ 255	voir Paramètres de contrôle
16	Rouge principal	000 ⇔ 255	Mode RGBW: 0–100% / Mode CMY: 100–0%
17	Vert principal	000 ⇔ 255	Mode RGBW: 0–100% / Mode CMY: 100–0%
18	Bleu principal	000 ⇔ 255	Mode RGBW: 0–100% / Mode CMY: 100–0%
19	Blanc principal	000 ⇔ 255	Mode RGBW: 0–100% / Mode CMY: 100–0%
20	Rouge 1 Cyan 1	000 ⇔ 255	Mode RGBW: 0–100% / Mode CMY: 100–0%
21	Vert 1 Magenta 1	000 ⇔ 255	Mode RGBW: 0–100% / Mode CMY: 100–0%
22	Bleu 1 Jaune 1	000 ⇔ 255	Mode RGBW: 0–100% / Mode CMY: 100–0%
23	Blanc 1	000 ⇔ 255	Mode RGBW: 0–100% / Mode CMY: 100–0%
24	Rouge 2 Cyan 2	000 ⇔ 255	Mode RGBW: 0–100% / Mode CMY: 100–0%
25	Vert 2 Magenta 2	000 ⇔ 255	Mode RGBW: 0–100% / Mode CMY: 100–0%
26	Bleu 2 Jaune 2	000 ⇔ 255	Mode RGBW: 0–100% / Mode CMY: 100–0%
27	Blanc 2	000 ⇔ 255	Mode RGBW: 0–100% / Mode CMY: 100–0%
28	Rouge 3 Cyan 3	000 ⇔ 255	Mode RGBW: 0–100% / Mode CMY: 100–0%
29	Vert 3 Magenta 3	000 ⇔ 255	Mode RGBW: 0–100% / Mode CMY: 100–0%
30	Bleu 3 Jaune 3	000 ⇔ 255	Mode RGBW: 0–100% / Mode CMY: 100–0%
31	Blanc 3	000 ⇔ 255	Mode RGBW: 0–100% / Mode CMY: 100–0%
32	Rouge 4 Cyan 4	000 ⇔ 255	Mode RGBW: 0–100% / Mode CMY: 100–0%
33	Vert 4 Magenta 4	000 ⇔ 255	Mode RGBW: 0–100% / Mode CMY: 100–0%
34	Bleu 4 Jaune 4	000 ⇔ 255	Mode RGBW: 0–100% / Mode CMY: 100–0%
35	Blanc 4	000 ⇔ 255	Mode RGBW: 0–100% / Mode CMY: 100–0%
36	Rouge 5 Cyan 5	000 ⇔ 255	Mode RGBW: 0–100% / Mode CMY: 100–0%

Canal	Fonction	Valeur	Pourcentage/Paramétrage
37	Vert 5 Magenta 5	000 ⇔ 255	Mode RGBW: 0–100% / Mode CMY: 100–0%
38	Bleu 5 Jaune 5	000 ⇔ 255	Mode RGBW: 0–100% / Mode CMY: 100–0%
39	Blanc 5	000 ⇔ 255	Mode RGBW: 0–100% / Mode CMY: 100–0%
40	Rouge 6 Cyan 6	000 ⇔ 255	Mode RGBW: 0–100% / Mode CMY: 100–0%
41	Vert 6 Magenta 6	000 ⇔ 255	Mode RGBW: 0–100% / Mode CMY: 100–0%
42	Bleu 6 Jaune 6	000 ⇔ 255	Mode RGBW: 0–100% / Mode CMY: 100–0%
43	Blanc 6	000 ⇔ 255	Mode RGBW: 0–100% / Mode CMY: 100–0%
44	Rouge 7 Cyan 7	000 ⇔ 255	Mode RGBW: 0–100% / Mode CMY: 100–0%
45	Vert 7 Magenta 7	000 ⇔ 255	Mode RGBW: 0–100% / Mode CMY: 100–0%
46	Bleu 7 Jaune 7	000 ⇔ 255	Mode RGBW: 0–100% / Mode CMY: 100–0%
47	Blanc 7	000 ⇔ 255	Mode RGBW: 0–100% / Mode CMY: 100–0%
48	Rouge 8 Cyan 8	000 ⇔ 255	Mode RGBW: 0–100% / Mode CMY: 100–0%
49	Vert 8 Magenta 8	000 ⇔ 255	Mode RGBW: 0–100% / Mode CMY: 100–0%
50	Bleu 8 Jaune 8	000 ⇔ 255	Mode RGBW: 0–100% / Mode CMY: 100–0%
51	Blanc 8	000 ⇔ 255	Mode RGBW: 0–100% / Mode CMY: 100–0%

Single Control: Mode « Basic » (19CH)

Canal	Fonction	Valeur	Pourcentage/Paramétrage
1	Inclinaison	000 ⇔ 255	0–100%
2	Inclinaison fin	000 ⇔ 255	0–100%
3	Vitesse d'inclinaison	000 ⇔ 255	0–100%
4	CTC	000 001 ⇔ 255	Pas de fonction Température de couleur, 1900–2700 K
5	Couleur	000 ⇔ 255	voir Charte de couleurs
6	Motifs (voir Charte de couleurs)	000 001 ⇔ 215 216 ⇔ 255	Pas de fonction Motif 1–215 Pas de fonction
7	Macro LED	000 ⇔ 255	voir Macro LED
8	Vitesse pour macro LED	000 ⇔ 127 128 129 ⇔ 255	Rapide à lent, sens horaire Attente Lent à rapide, dans le sens antihoraire
9	Décalage interne LED	000 ⇔ 255	Rapide à lent
10	Couleur de l'arrière plan	000 ⇔ 255	voir Charte de couleurs
11	Gradateur de l'arrière plan	000 ⇔ 255	0–100%
12	Gradateur	000 ⇔ 255	0–100%
13	Obturateur	000 ⇔ 255	voir Paramètres obturateur
14	Zoom	000 ⇔ 255	Large à étroit
15	Contrôle	000 ⇔ 255	voir Paramètres de contrôle
16	Rouge	000 ⇔ 255	Mode RGBW: 0–100% / Mode CMY: 100–0%
17	Vert	000 ⇔ 255	Mode RGBW: 0–100% / Mode CMY: 100–0%
18	Bleu	000 ⇔ 255	Mode RGBW: 0–100% / Mode CMY: 100–0%
19	Blanc	000 ⇔ 255	Mode RGBW: 0–100% / Mode CMY: 100–0%



La personnalité « Single Control: Basic » du COLORado PXL Bar 8 correspond exactement à la personnalité « Single Control: Basic2 » du COLORado PXL Bar 16.

Dual Control Movement: Mode « Advanced » (25CH)

Canal	Fonction	Valeur	Pourcentage/Paramétrage
1	Inclinaison	000 ⇄ 255	0–100%
2	Inclinaison fin	000 ⇄ 255	0–100%
3	Vitesse d'inclinaison	000 ⇄ 255	0–100%
4	CTC	000	Pas de fonction
		001 ⇄ 255	Température de couleur, 1900–2700 K
5	Couleur	000 ⇄ 255	voir Charte de couleurs
6	Motifs (voir Charte de couleurs)	000	Pas de fonction
		001 ⇄ 215	Motif 1–215
		216 ⇄ 255	Pas de fonction
7	Macro LED	000 ⇄ 255	voir Macro LED
8	Vitesse pour macro LED	000 ⇄ 127	Rapide à lent, sens horaire
		128	Attente
		129 ⇄ 255	Lent à rapide, dans le sens antihoraire
9	Décalage interne LED	000 ⇄ 255	Rapide à lent
10	Couleur de l'arrière plan	000 ⇄ 255	voir Charte de couleurs
11	Gradateur de l'arrière plan	000 ⇄ 255	0–100%
12	Gradateur fin de l'arrière plan	000 ⇄ 255	0–100%
13	Gradateur	000 ⇄ 255	0–100%
14	Gradateur fin	000 ⇄ 255	0–100%
15	Obturbateur	000 ⇄ 255	voir Paramètres obturbateur
16	Zoom	000 ⇄ 255	Large à étroit
17	Contrôle	000 ⇄ 255	voir Paramètres de contrôle
18	Rouge	000 ⇄ 255	Mode RGBW: 0–100% / Mode CMY: 100–0%
19	Rouge fin	000 ⇄ 255	Mode RGBW: 0–100% / Mode CMY: 100–0%
20	Vert	000 ⇄ 255	Mode RGBW: 0–100% / Mode CMY: 100–0%
21	Vert fin	000 ⇄ 255	Mode RGBW: 0–100% / Mode CMY: 100–0%
22	Bleu	000 ⇄ 255	Mode RGBW: 0–100% / Mode CMY: 100–0%
23	Bleu fin	000 ⇄ 255	Mode RGBW: 0–100% / Mode CMY: 100–0%
24	Blanc	000 ⇄ 255	Mode RGBW: 0–100% / Mode CMY: 100–0%
25	Blanc fin	000 ⇄ 255	Mode RGBW: 0–100% / Mode CMY: 100–0%

Dual Control Movement: Mode « Standard » (19CH)

Canal	Fonction	Valeur	Pourcentage/Paramétrage
1	Inclinaison	000 ⇔ 255	0–100%
2	Inclinaison fin	000 ⇔ 255	0–100%
3	Vitesse d'inclinaison	000 ⇔ 255	0–100%
4	CTC	000	Pas de fonction
		001 ⇔ 255	Température de couleur, 1900–2700 K
5	Couleur	000 ⇔ 255	voir Charte de couleurs
6	Motifs (voir Charte de couleurs)	000	Pas de fonction
		001 ⇔ 215	Motif 1–215
		216 ⇔ 255	Pas de fonction
7	Macro LED	000 ⇔ 255	voir Macro LED
8	Vitesse pour macro LED	000 ⇔ 127	Rapide à lent, sens horaire
		128	Attente
		129 ⇔ 255	Lent à rapide, dans le sens antihoraire
9	Décalage interne LED	000 ⇔ 255	Rapide à lent
10	Couleur de l'arrière plan	000 ⇔ 255	voir Charte de couleurs
11	Gradateur de l'arrière plan	000 ⇔ 255	0–100%
12	Gradateur	000 ⇔ 255	0–100%
13	Obturbateur	000 ⇔ 255	voir Paramètres obturbateur
14	Zoom	000 ⇔ 255	Large à étroit
15	Contrôle	000 ⇔ 255	voir Paramètres de contrôle
16	Rouge	000 ⇔ 255	Mode RGBW: 0–100% / Mode CMY: 100–0%
17	Vert	000 ⇔ 255	Mode RGBW: 0–100% / Mode CMY: 100–0%
18	Bleu	000 ⇔ 255	Mode RGBW: 0–100% / Mode CMY: 100–0%
19	Blanc	000 ⇔ 255	Mode RGBW: 0–100% / Mode CMY: 100–0%

Dual Control Movement: Mode « Basic » (7CH)

Canal	Fonction	Valeur	Pourcentage/Paramétrage
1	Inclinaison	000 ⇔ 255	0–100%
2	Inclinaison fin	000 ⇔ 255	0–100%
3	Vitesse d'inclinaison	000 ⇔ 255	0–100%
4	Gradateur	000 ⇔ 255	0–100%
5	Obturbateur	000 ⇔ 255	voir Paramètres obturbateur
6	Zoom	000 ⇔ 255	Large à étroit
7	Contrôle	000 ⇔ 255	voir Paramètres de contrôle



La personnalité « Dual Control Movement: Basic » du COLORado PXL Bar 8 correspond exactement à la personnalité « Dual Control Movement: Basic2 » du COLORado PXL Bar 16.

Dual Control LED: Mode « Advanced » (64CH)

Canal	Fonction		Valeur	Pourcentage/Paramétrage
1	Rouge 1	Cyan 1	000 ⇔ 255	Mode RGBW: 0–100% / Mode CMY: 100–0%
2	Rouge fin 1	Cyan fin 1	000 ⇔ 255	Mode RGBW: 0–100% / Mode CMY: 100–0%
3	Vert 1	Magenta 1	000 ⇔ 255	Mode RGBW: 0–100% / Mode CMY: 100–0%
4	Vert fin 1	Magenta fin 1	000 ⇔ 255	Mode RGBW: 0–100% / Mode CMY: 100–0%
5	Bleu 1	Jaune 1	000 ⇔ 255	Mode RGBW: 0–100% / Mode CMY: 100–0%
6	Bleu fin 1	Jaune fin 1	000 ⇔ 255	Mode RGBW: 0–100% / Mode CMY: 100–0%
7	Blanc 1		000 ⇔ 255	Mode RGBW: 0–100% / Mode CMY: 100–0%
8	Blanc fin 1		000 ⇔ 255	Mode RGBW: 0–100% / Mode CMY: 100–0%
9	Rouge 2	Cyan 2	000 ⇔ 255	Mode RGBW: 0–100% / Mode CMY: 100–0%
10	Rouge fin 2	Cyan fin 2	000 ⇔ 255	Mode RGBW: 0–100% / Mode CMY: 100–0%
11	Vert 2	Magenta 2	000 ⇔ 255	Mode RGBW: 0–100% / Mode CMY: 100–0%
12	Vert fin 2	Magenta fin 2	000 ⇔ 255	Mode RGBW: 0–100% / Mode CMY: 100–0%
13	Bleu 2	Jaune 2	000 ⇔ 255	Mode RGBW: 0–100% / Mode CMY: 100–0%
14	Bleu fin 2	Jaune fin 2	000 ⇔ 255	Mode RGBW: 0–100% / Mode CMY: 100–0%
15	Blanc 2		000 ⇔ 255	Mode RGBW: 0–100% / Mode CMY: 100–0%
16	Blanc fin 2		000 ⇔ 255	Mode RGBW: 0–100% / Mode CMY: 100–0%
17	Rouge 3	Cyan 3	000 ⇔ 255	Mode RGBW: 0–100% / Mode CMY: 100–0%
18	Rouge fin 3	Cyan fin 3	000 ⇔ 255	Mode RGBW: 0–100% / Mode CMY: 100–0%
19	Vert 3	Magenta 3	000 ⇔ 255	Mode RGBW: 0–100% / Mode CMY: 100–0%
20	Vert fin 3	Magenta fin 3	000 ⇔ 255	Mode RGBW: 0–100% / Mode CMY: 100–0%
21	Bleu 3	Jaune 3	000 ⇔ 255	Mode RGBW: 0–100% / Mode CMY: 100–0%
22	Bleu fin 3	Jaune fin 3	000 ⇔ 255	Mode RGBW: 0–100% / Mode CMY: 100–0%
23	Blanc 3		000 ⇔ 255	Mode RGBW: 0–100% / Mode CMY: 100–0%
24	Blanc fin 3		000 ⇔ 255	Mode RGBW: 0–100% / Mode CMY: 100–0%
25	Rouge 4	Cyan 4	000 ⇔ 255	Mode RGBW: 0–100% / Mode CMY: 100–0%
26	Rouge fin 4	Cyan fin 4	000 ⇔ 255	Mode RGBW: 0–100% / Mode CMY: 100–0%
27	Vert 4	Magenta 4	000 ⇔ 255	Mode RGBW: 0–100% / Mode CMY: 100–0%
28	Vert fin 4	Magenta fin 4	000 ⇔ 255	Mode RGBW: 0–100% / Mode CMY: 100–0%
29	Bleu 4	Jaune 4	000 ⇔ 255	Mode RGBW: 0–100% / Mode CMY: 100–0%
30	Bleu fin 4	Jaune fin 4	000 ⇔ 255	Mode RGBW: 0–100% / Mode CMY: 100–0%
31	Blanc 4		000 ⇔ 255	Mode RGBW: 0–100% / Mode CMY: 100–0%
32	Blanc fin 4		000 ⇔ 255	Mode RGBW: 0–100% / Mode CMY: 100–0%
33	Rouge 5	Cyan 5	000 ⇔ 255	Mode RGBW: 0–100% / Mode CMY: 100–0%
34	Rouge fin 5	Cyan fin 5	000 ⇔ 255	Mode RGBW: 0–100% / Mode CMY: 100–0%
35	Vert 5	Magenta 5	000 ⇔ 255	Mode RGBW: 0–100% / Mode CMY: 100–0%
36	Vert fin 5	Magenta fin 5	000 ⇔ 255	Mode RGBW: 0–100% / Mode CMY: 100–0%
37	Bleu 5	Jaune 5	000 ⇔ 255	Mode RGBW: 0–100% / Mode CMY: 100–0%
38	Bleu fin 5	Jaune fin 5	000 ⇔ 255	Mode RGBW: 0–100% / Mode CMY: 100–0%
39	Blanc 5		000 ⇔ 255	Mode RGBW: 0–100% / Mode CMY: 100–0%
40	Blanc fin 5		000 ⇔ 255	Mode RGBW: 0–100% / Mode CMY: 100–0%
41	Rouge 6	Cyan 6	000 ⇔ 255	Mode RGBW: 0–100% / Mode CMY: 100–0%
42	Rouge fin 6	Cyan fin 6	000 ⇔ 255	Mode RGBW: 0–100% / Mode CMY: 100–0%
43	Vert 6	Magenta 6	000 ⇔ 255	Mode RGBW: 0–100% / Mode CMY: 100–0%
44	Vert fin 6	Magenta fin 6	000 ⇔ 255	Mode RGBW: 0–100% / Mode CMY: 100–0%
45	Bleu 6	Jaune 6	000 ⇔ 255	Mode RGBW: 0–100% / Mode CMY: 100–0%
46	Bleu fin 6	Jaune fin 6	000 ⇔ 255	Mode RGBW: 0–100% / Mode CMY: 100–0%
47	Blanc 6		000 ⇔ 255	Mode RGBW: 0–100% / Mode CMY: 100–0%
48	Blanc fin 6		000 ⇔ 255	Mode RGBW: 0–100% / Mode CMY: 100–0%
49	Rouge 7	Cyan 7	000 ⇔ 255	Mode RGBW: 0–100% / Mode CMY: 100–0%
50	Rouge fin 7	Cyan fin 7	000 ⇔ 255	Mode RGBW: 0–100% / Mode CMY: 100–0%

Canal	Fonction	Valeur	Pourcentage/Paramétrage
51	Vert 7 Magenta 7	000 ⇔ 255	Mode RGBW: 0–100% / Mode CMY: 100–0%
52	Vert fin 7 Magenta fin 7	000 ⇔ 255	Mode RGBW: 0–100% / Mode CMY: 100–0%
53	Bleu 7 Jaune 7	000 ⇔ 255	Mode RGBW: 0–100% / Mode CMY: 100–0%
54	Bleu fin 7 Jaune fin 7	000 ⇔ 255	Mode RGBW: 0–100% / Mode CMY: 100–0%
55	Blanc 7	000 ⇔ 255	Mode RGBW: 0–100% / Mode CMY: 100–0%
56	Blanc fin 7	000 ⇔ 255	Mode RGBW: 0–100% / Mode CMY: 100–0%
57	Rouge 8 Cyan 8	000 ⇔ 255	Mode RGBW: 0–100% / Mode CMY: 100–0%
58	Rouge fin 8 Cyan fin 8	000 ⇔ 255	Mode RGBW: 0–100% / Mode CMY: 100–0%
59	Vert 8 Magenta 8	000 ⇔ 255	Mode RGBW: 0–100% / Mode CMY: 100–0%
60	Vert fin 8 Magenta fin 8	000 ⇔ 255	Mode RGBW: 0–100% / Mode CMY: 100–0%
61	Bleu 8 Jaune 8	000 ⇔ 255	Mode RGBW: 0–100% / Mode CMY: 100–0%
62	Bleu fin 8 Jaune fin 8	000 ⇔ 255	Mode RGBW: 0–100% / Mode CMY: 100–0%
63	Blanc 8	000 ⇔ 255	Mode RGBW: 0–100% / Mode CMY: 100–0%
64	Blanc fin 8	000 ⇔ 255	Mode RGBW: 0–100% / Mode CMY: 100–0%

Dual Control LED: Mode « Standard » (32CH)

Channel	Fonction	Valeur	Pourcentage/Paramétrage
1	Rouge 1 Cyan 1	000 ⇔ 255	Mode RGBW: 0–100% / Mode CMY: 100–0%
2	Vert 1 Magenta 1	000 ⇔ 255	Mode RGBW: 0–100% / Mode CMY: 100–0%
3	Bleu 1 Jaune 1	000 ⇔ 255	Mode RGBW: 0–100% / Mode CMY: 100–0%
4	Blanc 1	000 ⇔ 255	Mode RGBW: 0–100% / Mode CMY: 100–0%
5	Rouge 2 Cyan 2	000 ⇔ 255	Mode RGBW: 0–100% / Mode CMY: 100–0%
6	Vert 2 Magenta 2	000 ⇔ 255	Mode RGBW: 0–100% / Mode CMY: 100–0%
7	Bleu 2 Jaune 2	000 ⇔ 255	Mode RGBW: 0–100% / Mode CMY: 100–0%
8	Blanc 2	000 ⇔ 255	Mode RGBW: 0–100% / Mode CMY: 100–0%
9	Rouge 3 Cyan 3	000 ⇔ 255	Mode RGBW: 0–100% / Mode CMY: 100–0%
10	Vert 3 Magenta 3	000 ⇔ 255	Mode RGBW: 0–100% / Mode CMY: 100–0%
11	Bleu 3 Jaune 3	000 ⇔ 255	Mode RGBW: 0–100% / Mode CMY: 100–0%
12	Blanc 3	000 ⇔ 255	Mode RGBW: 0–100% / Mode CMY: 100–0%
13	Rouge 4 Cyan 4	000 ⇔ 255	Mode RGBW: 0–100% / Mode CMY: 100–0%
14	Vert 4 Magenta 4	000 ⇔ 255	Mode RGBW: 0–100% / Mode CMY: 100–0%
15	Bleu 4 Jaune 4	000 ⇔ 255	Mode RGBW: 0–100% / Mode CMY: 100–0%
16	Blanc 4	000 ⇔ 255	Mode RGBW: 0–100% / Mode CMY: 100–0%
17	Rouge 5 Cyan 5	000 ⇔ 255	Mode RGBW: 0–100% / Mode CMY: 100–0%
18	Vert 5 Magenta 5	000 ⇔ 255	Mode RGBW: 0–100% / Mode CMY: 100–0%
19	Bleu 5 Jaune 5	000 ⇔ 255	Mode RGBW: 0–100% / Mode CMY: 100–0%
20	Blanc 5	000 ⇔ 255	Mode RGBW: 0–100% / Mode CMY: 100–0%
21	Rouge 6 Cyan 6	000 ⇔ 255	Mode RGBW: 0–100% / Mode CMY: 100–0%
22	Vert 6 Magenta 6	000 ⇔ 255	Mode RGBW: 0–100% / Mode CMY: 100–0%
23	Bleu 6 Jaune 6	000 ⇔ 255	Mode RGBW: 0–100% / Mode CMY: 100–0%
24	Blanc 6	000 ⇔ 255	Mode RGBW: 0–100% / Mode CMY: 100–0%
25	Rouge 7 Cyan 7	000 ⇔ 255	Mode RGBW: 0–100% / Mode CMY: 100–0%
26	Vert 7 Magenta 7	000 ⇔ 255	Mode RGBW: 0–100% / Mode CMY: 100–0%
27	Bleu 7 Jaune 7	000 ⇔ 255	Mode RGBW: 0–100% / Mode CMY: 100–0%
28	Blanc 7	000 ⇔ 255	Mode RGBW: 0–100% / Mode CMY: 100–0%
29	Rouge 8 Cyan 8	000 ⇔ 255	Mode RGBW: 0–100% / Mode CMY: 100–0%
30	Vert 8 Magenta 8	000 ⇔ 255	Mode RGBW: 0–100% / Mode CMY: 100–0%
31	Bleu 8 Jaune 8	000 ⇔ 255	Mode RGBW: 0–100% / Mode CMY: 100–0%
32	Blanc 8	000 ⇔ 255	Mode RGBW: 0–100% / Mode CMY: 100–0%

Dual Control LED: Mode « Basic » (24CH)

Channel	Fonction		Valeur	Pourcentage/Paramétrage
1	Rouge 1	Cyan 1	000 ⇔ 255	Mode RGBW: 0–100% / Mode CMY: 100–0%
2	Vert 1	Magenta 1	000 ⇔ 255	Mode RGBW: 0–100% / Mode CMY: 100–0%
3	Bleu 1	Jaune 1	000 ⇔ 255	Mode RGBW: 0–100% / Mode CMY: 100–0%
4	Rouge 2	Cyan 2	000 ⇔ 255	Mode RGBW: 0–100% / Mode CMY: 100–0%
5	Vert 2	Magenta 2	000 ⇔ 255	Mode RGBW: 0–100% / Mode CMY: 100–0%
6	Bleu 2	Jaune 2	000 ⇔ 255	Mode RGBW: 0–100% / Mode CMY: 100–0%
7	Rouge 3	Cyan 3	000 ⇔ 255	Mode RGBW: 0–100% / Mode CMY: 100–0%
8	Vert 3	Magenta 3	000 ⇔ 255	Mode RGBW: 0–100% / Mode CMY: 100–0%
9	Bleu 3	Jaune 3	000 ⇔ 255	Mode RGBW: 0–100% / Mode CMY: 100–0%
10	Rouge 4	Cyan 4	000 ⇔ 255	Mode RGBW: 0–100% / Mode CMY: 100–0%
11	Vert 4	Magenta 4	000 ⇔ 255	Mode RGBW: 0–100% / Mode CMY: 100–0%
12	Bleu 4	Jaune 4	000 ⇔ 255	Mode RGBW: 0–100% / Mode CMY: 100–0%
13	Rouge 5	Cyan 5	000 ⇔ 255	Mode RGBW: 0–100% / Mode CMY: 100–0%
14	Vert 5	Magenta 5	000 ⇔ 255	Mode RGBW: 0–100% / Mode CMY: 100–0%
15	Bleu 5	Jaune 5	000 ⇔ 255	Mode RGBW: 0–100% / Mode CMY: 100–0%
16	Rouge 6	Cyan 6	000 ⇔ 255	Mode RGBW: 0–100% / Mode CMY: 100–0%
17	Vert 6	Magenta 6	000 ⇔ 255	Mode RGBW: 0–100% / Mode CMY: 100–0%
18	Bleu 6	Jaune 6	000 ⇔ 255	Mode RGBW: 0–100% / Mode CMY: 100–0%
19	Rouge 7	Cyan 7	000 ⇔ 255	Mode RGBW: 0–100% / Mode CMY: 100–0%
20	Vert 7	Magenta 7	000 ⇔ 255	Mode RGBW: 0–100% / Mode CMY: 100–0%
21	Bleu 7	Jaune 7	000 ⇔ 255	Mode RGBW: 0–100% / Mode CMY: 100–0%
22	Rouge 8	Cyan 8	000 ⇔ 255	Mode RGBW: 0–100% / Mode CMY: 100–0%
23	Vert 8	Magenta 8	000 ⇔ 255	Mode RGBW: 0–100% / Mode CMY: 100–0%
24	Bleu 8	Jaune 8	000 ⇔ 255	Mode RGBW: 0–100% / Mode CMY: 100–0%

Charte de couleurs

Valeur	Pourcentage/Paramétrage				
000	Pas de fonction				
001 ⇔ 002	Blanc 2700K	R = 156	G = 118	B = 0	W = 63
003 ⇔ 004	Blanc 3200K	R = 156	G = 141	B = 5	W = 89
005 ⇔ 006	Blanc 4200K	R = 156	G = 141	B = 14	W = 255
007 ⇔ 008	Blanc 5600K	R = 156	G = 207	B = 54	W = 255
009 ⇔ 010	Blanc 8000K	R = 130	G = 255	B = 96	W = 255
011	Bleu	R = 0	G = 0	B = 255	W = 0
012 ⇔ 048	+ vert	R = 0	G = 0–255	B = 255	W = 0
049	Cyan	R = 0	G = 255	B = 255	W = 0
050 ⇔ 086	- bleu	R = 0	G = 255	B = 255–0	W = 0
087	Vert	R = 0	G = 255	B = 0	W = 0
088 ⇔ 124	+ rouge	R = 0–255	G = 255	B = 0	W = 0
125	Jaune	R = 255	G = 255	B = 0	W = 0
126 ⇔ 162	- vert	R = 255	G = 255–0	B = 0	W = 0
163	Rouge	R = 255	G = 0	B = 0	W = 0
164 ⇔ 200	+ bleu	R = 255	G = 0	B = 0–255	W = 0
201	Magenta	R = 255	G = 0	B = 255	W = 0
202 ⇔ 238	- rouge	R = 255–0	G = 0	B = 255	W = 0
239	Bleu	R = 0	G = 0	B = 255	W = 0
240 ⇔ 247	Changement de couleur, rapide à lent				
248 ⇔ 255	Saut de couleur, rapide à lent				

Paramètres obturateur

Valeur	Pourcentage/Paramétrage	Valeur	Pourcentage/Paramétrage
000 ⇔ 019	Arrêt	145 ⇔ 149	Marche
020 ⇔ 024	Marche	150 ⇔ 164	Stroboscope aléatoire 0–100%, rapide à lent
025 ⇔ 064	Stroboscope, rapide à lent	165 ⇔ 169	Marche
065 ⇔ 069	Marche	170 ⇔ 184	Stroboscope pulsation, rapide à lent
070 ⇔ 084	Stroboscope 100–0%, rapide à lent	185 ⇔ 189	Marche
085 ⇔ 089	Marche	190 ⇔ 204	Stroboscope pulsation aléatoire, rapide à lent
090 ⇔ 104	Stroboscope 0–100%, rapide à lent	205 ⇔ 209	Marche
105 ⇔ 109	Marche	210 ⇔ 224	Stroboscope 0–100–0%, rapide à lent
110 ⇔ 124	Stroboscope aléatoire, rapide à lent	225 ⇔ 229	Marche
125 ⇔ 129	Marche	230 ⇔ 244	Stroboscope pulsation aléatoire, rapide à lent
130 ⇔ 144	Stroboscope aléatoire 100–0%, rapide à lent	245 ⇔ 255	Marche

Paramètres de contrôle

Valeur	Pourcentage/Paramétrage	Valeur	Pourcentage/Paramétrage
000 ⇔ 009	Pas de fonction	095 ⇔ 099	Réservé pour utilisation future
010 ⇔ 014	Noir général pendant le tilt	100 ⇔ 104	Inverser l'inclinaison désactivée
015 ⇔ 019	Réservé pour utilisation future	105 ⇔ 119	Réservé pour utilisation future
020 ⇔ 024	Mode de mélange de couleur RGBW (en ajout)	120 ⇔ 124	Mode de vitesse ventilateur ECO
025 ⇔ 029	Mode de mélange de couleur CMY (en soustraction)	125 ⇔ 129	Mode de vitesse ventilateur plein régime
030 ⇔ 039	Réservé pour utilisation future	130 ⇔ 134	Mode de vitesse ventilateur automatique
040 ⇔ 044	Ventilateur de dégivrage active	135 ⇔ 139	Mode de vitesse de gradation rapide
045 ⇔ 049	Ventilateur de dégivrage désactive	140 ⇔ 144	Mode de vitesse de gradation lente
050 ⇔ 054	Réservé pour utilisation future	145 ⇔ 149	Linear
055 ⇔ 059	Réinitialisation du tilt	150 ⇔ 154	Square
060 ⇔ 064	Réinitialisation zoom	155 ⇔ 159	i Squa
065 ⇔ 069	Réservé pour utilisation future	160 ⇔ 164	SCurve
070 ⇔ 074	Réinitialisation totale	165 ⇔ 169	Mode blanc
075 ⇔ 089	Réservé pour utilisation future	170 ⇔ 174	Mode complet
090 ⇔ 094	Inclinaison inversée	175 ⇔ 255	Réservé pour utilisation future

Macro LED

Valeur	Pourcentage/Paramétrage	Valeur	Pourcentage/Paramétrage
000 ⇔ 015	Pas de fonction	136 ⇔ 137	Macro de couleur automatique 38
016 ⇔ 017	Macro à couleur contrôlable 1	138 ⇔ 139	Macro de couleur automatique 39
018 ⇔ 019	Macro à couleur contrôlable 2	140 ⇔ 141	Macro de couleur automatique 40
020 ⇔ 021	Macro à couleur contrôlable 3	142 ⇔ 143	Macro de couleur automatique 41
022 ⇔ 023	Macro à couleur contrôlable 4	144 ⇔ 145	Macro de couleur automatique 42
024 ⇔ 025	Macro à couleur contrôlable 5	146 ⇔ 147	Macro de couleur automatique 43
026 ⇔ 027	Macro à couleur contrôlable 6	148 ⇔ 149	Macro de couleur automatique 44
028 ⇔ 029	Macro à couleur contrôlable 7	150 ⇔ 151	Macro de couleur automatique 45
030 ⇔ 031	Macro à couleur contrôlable 8	152 ⇔ 153	Macro de couleur automatique 46
032 ⇔ 033	Macro à couleur contrôlable 9	154 ⇔ 155	Macro de couleur automatique 47
034 ⇔ 035	Macro à couleur contrôlable 10	156 ⇔ 157	Macro de couleur automatique 48
036 ⇔ 037	Macro à couleur contrôlable 11	158 ⇔ 159	Macro de couleur automatique 49
038 ⇔ 039	Macro à couleur contrôlable 12	160 ⇔ 161	Macro de couleur automatique 50
040 ⇔ 041	Macro à couleur contrôlable 13	162 ⇔ 163	Macro de couleur automatique 51
042 ⇔ 043	Macro à couleur contrôlable 14	164 ⇔ 165	Macro de couleur automatique 52
044 ⇔ 045	Macro à couleur contrôlable 15	166 ⇔ 167	Macro de couleur automatique 53
046 ⇔ 047	Macro à couleur contrôlable 16	168 ⇔ 169	Macro de couleur automatique 54
048 ⇔ 049	Macro à couleur contrôlable 17	170 ⇔ 171	Macro de couleur automatique 55
050 ⇔ 051	Macro à couleur contrôlable 18	172 ⇔ 173	Macro de couleur automatique 56
052 ⇔ 053	Macro à couleur contrôlable 19	174 ⇔ 175	Macro de couleur automatique 57
054 ⇔ 055	Macro à couleur contrôlable 20	176 ⇔ 177	Macro de couleur automatique 58
056 ⇔ 057	Macro à couleur contrôlable 21	178 ⇔ 179	Macro de couleur automatique 59
058 ⇔ 059	Macro à couleur contrôlable 22	180 ⇔ 181	Macro de couleur automatique 60
060 ⇔ 061	Macro à couleur contrôlable 23	182 ⇔ 183	Macro de couleur automatique 61
062 ⇔ 063	Macro à couleur contrôlable 24	184 ⇔ 185	Macro de couleur automatique 62
064 ⇔ 065	Macro à couleur contrôlable 25	186 ⇔ 187	Macro de couleur automatique 63
066 ⇔ 067	Macro à couleur contrôlable 26	188 ⇔ 189	Macro de couleur automatique 64
068 ⇔ 069	Macro à couleur contrôlable 27	190 ⇔ 191	Macro de couleur automatique 65
070 ⇔ 071	Macro à couleur contrôlable 28	192 ⇔ 193	Macro de couleur automatique 66
072 ⇔ 073	Macro à couleur contrôlable 29	194 ⇔ 195	Macro de couleur automatique 67
074 ⇔ 075	Macro à couleur contrôlable 30	196 ⇔ 197	Macro de couleur automatique 68
076 ⇔ 077	Macro à couleur contrôlable 31	198 ⇔ 199	Macro de couleur automatique 69
078 ⇔ 079	Macro à couleur contrôlable 32	200 ⇔ 201	Macro de couleur automatique 70
080 ⇔ 081	Macro à couleur contrôlable 33	202 ⇔ 203	Macro de couleur automatique 71
082 ⇔ 083	Macro à couleur contrôlable 34	204 ⇔ 205	Macro de couleur automatique 72
084 ⇔ 085	Macro à couleur contrôlable 35	206 ⇔ 207	Macro de couleur automatique 73
086 ⇔ 087	Macro à couleur contrôlable 36	208 ⇔ 255	Macro de couleur automatique 74 (macro principale)
088 ⇔ 135	Macro à couleur contrôlable 37 (macro principale)		

Motifs

1	○●●●●●●●	44	●○○○●●●●	87	●●○○●○○●	130	●○○○●○○●	173	○●○○○●●●
2	●○○●●●●●	45	●○○○●●●●	88	●●○○●○○○	131	●○○○●○○●	174	○●○○○●●○
3	●●○○●●●●	46	●○○○●●○○●	89	●●○○●●○○	132	●○○○●○○○	175	○●●○○○○●
4	●●●○○●●●	47	●○○○●●○○○	90	●●●○○○○●	133	●○○○●○○●	176	○●●○○○○○
5	●●●●○○●●	48	●○○○●●●○○	91	●●●○○○○○	134	●○○○●○○○	177	○○●●○○○●
6	●●●●●○○●	49	●●○○○○●●●	92	●●●○○○○○	135	●○○○●○○○	178	○○●●○○○○
7	●●●●●●○○	50	●●○○●○○●●	93	●●●○○○○○	136	●○○○●○○○	179	○○●●●○○○
8	●●●●●●○○	51	●●○○●○○○●	94	○○○○●●●●●	137	●○○○●○○○	180	○○○●○○●●
9	○○○○○○○○	52	●●○○●●●○○	95	○○○●○○●●●	138	●○○○●●●○○	181	○○○●○○●●
10	○○●●●●●●	53	●●●○○○○●●	96	○○○●○○●●●	139	●○○○○○○●●	182	○○○●○○●○
11	○●○○●●●●	54	●●●○○○○○●	97	○○○●○○●●●	140	●○○○○○○○●	183	○○○●○○●○
12	○●○○●●●●	55	●●●○○○○○○	98	○○○●○○●○○	141	●○○○○○○○●	184	○○○●○○●○
13	○●●●○○●●	56	●●●●○○○○●	99	○○●○○○○●●	142	●○○○○○○○●	185	○○○●●●○○
14	○●●●○○●●	57	●●●●○○○○○	100	○○○●○○○○●	143	●○○○○○○○●	186	○○○○●○○●
15	○●●●○○○○	58	●●●●○○○○○	101	○○○●○○○○●	144	●○○○○○○○●	187	○○○○●○○●
16	○●●●○○○○	59	○○○○●●●●●	102	○○○●○○○○○	145	●○○○○○○○●	188	○○○○●○○○
17	●○○●●●●●	60	○○○●○○●●●	103	○○○●○○○○○	146	●○○○○○○○●	189	●○○○○○○●
18	●○○●○○●●	61	○○○●○○●●●	104	○○○●○○○○○	147	●○○○○○○○●	190	●○○○○○○○
19	●○○●○○●●	62	○○○●○○●○○	105	○○○●○○○○○	148	●●○○○○○○●	191	●○○●○○○○
20	●○○●○○●●	63	○○○●○○●○○	106	○○○●○○○○○	149	●●○○○○○○○	192	●○○●○○○○
21	●○○●○○○○	64	○○○●○○●○○	107	○○○●○○○○○	150	●●○○○○○○○	193	●○○●○○○○
22	●○○●○○○○	65	○○○●○○●○○	108	○○○●○○○○○	151	●●○○○○○○○	194	●○○●○○○○
23	●●○○●●●●	66	○○○●○○●○○	109	○○○●○○○○○	152	●●○○○○○○○	195	●●○○○○○○○
24	●●○○●●●●	67	○○○●○○●○○	110	○○○●○○○○○	153	●●○○○○○○○	196	●●○○○○○○○
25	●●○○●●○○	68	○○○●○○●○○	111	○○○●○○○○○	154	●●○○○○○○○	197	○○○○○○●●
26	●●○○●●○○	69	○○○●○○●○○	112	○○○●○○○○○	155	●●○○○○○○○	198	○○○○○○●●
27	●●○○●●○○	70	○○○●○○●○○	113	○○○●○○○○○	156	●●○○○○○○○	199	○○○○○○●○
28	●●○○●●○○	71	○○○●○○●○○	114	○○○●○○○○○	157	●●○○○○○○○	200	●○○○○○○○
29	●●○○●○○●	72	○○○●○○●○○	115	○○○●○○○○○	158	●●○○○○○○○	201	●○○○○○○○
30	●●○○●○○●	73	○○○●○○●○○	116	○○○●○○○○○	159	●●○○○○○○○	202	●○○○○○○○
31	●●○○●○○○	74	○○○●○○●○○	117	○○○●○○○○○	160	●●○○○○○○○	203	●○○○○○○○
32	●●●●○○●●	75	○○○●○○●○○	118	○○○●○○○○○	161	●●○○○○○○○	204	○●○○○○○○●
33	●●●●○○●●	76	○○○●○○●○○	119	○○○●○○○○○	162	○○○○○○●●●	205	○●○○○○○○○
34	●●●●○○○○	77	○○○●○○●○○	120	○○○●○○○○○	163	○○○○○○●●●	206	○●●○○○○○
35	●●●●○○○○	78	○○○●○○●○○	121	○○○●○○○○○	164	○○○○○○●●●	207	●○○○○○○○
36	●●●●○○○○	79	○○○●○○●○○	122	○○○●○○○○○	165	○○○○○○●○○	208	○○○○○○●○
37	●●●●○○○○	80	○○○●○○●○○	123	○○○●○○○○○	166	●○○○○○○●●	209	○○○○○○●○
38	○○○●●●●●	81	○○○●○○●○○	124	○○○●○○○○○	167	●○○○○○○●●	210	○○○○○○●○
39	○○○●○○●●	82	○○○●○○●○○	125	○○○●○○○○○	168	●○○○○○○●○	211	○○○○●○○○
40	○○○●○○●●	83	○○○●○○●○○	126	○○○●○○○○○	169	●●○○○○○○○	212	○○○●○○○○
41	○○○●○○●●	84	○○○●○○●○○	127	○○○●○○○○○	170	●●○○○○○○○	213	○○●○○○○○
42	○○○●○○●●	85	○○○●○○●○○	128	○○○●○○○○○	171	●●○○○○○○○	214	○●○○○○○○○
43	○○○●●●●○	86	○○○●○○●○○	129	●○○○○○○●●	172	○●○○○○○○●	215	●○○○○○○○

Über diese Schnellanleitung

In der Schnellanleitung des COLORado PXL Bar 8 finden Sie die wesentlichen Produktinformationen, wie etwa über die Montage, Menüoptionen und DMX-Werte des Geräts. Laden Sie für weiterführende Informationen unter www.chauvetprofessional.com das Benutzerhandbuch herunter.

Haftungsausschluss

Die in dieser Anleitung aufgeführten Informationen und Spezifikationen können ohne vorherige Ankündigung geändert werden.

EINGESCHRÄNKTE GARANTIE

ZUR REGISTRIERUNG FÜR GARANTIEANSPRÜCHE UND ZUR EINSICHT IN DIE VOLLSTÄNDIGEN GESCHÄFTSBEDINGUNGEN BESUCHEN SIE BITTE UNSERE WEBSITE.

Für Kunden in den USA und in Mexiko: www.chauvetlighting.com/warranty-registration.

Für Kunden im Vereinigten Königreich, in Irland, Belgien, den Niederlanden, Luxemburg, Frankreich und Deutschland: www.chauvetlighting.eu/warranty-registration.

Chauvet garantiert für die in der auf unserer Website veröffentlichten vollständigen eingeschränkten Garantie genannten Dauer und unter Vorbehalt der darin genannten Haftungsausschlüsse und -beschränkungen, dass dieses Produkt bei normalen Gebrauch frei von Material- und Verarbeitungsfehlern ist. Diese Garantie erstreckt sich nur auf den Erstkäufer des Produkts und ist nicht übertragbar. Zur Ausübung der unter dieser Garantie gewährten Rechte ist der Kaufbeleg in Form der Originalrechnung von einem autorisierten Händler vorzulegen, in der die Produktbezeichnung und das Kaufdatum vermerkt sein müssen. **ES BESTEHEN KEINE WEITEREN AUSDRÜCKLICHEN ODER STILLSCHWEIGENDEN GARANTIEEN.** Diese Garantie gibt Ihnen besondere gesetzliche Rechte. Und Sie haben möglicherweise weitere Rechte, die von Land zu Land unterschiedlich sein können. Diese Garantie ist nur in den USA, im Vereinigten Königreich, in Irland, Belgien, den Niederlanden, Luxemburg, Frankreich, Deutschland und Mexiko gültig. Bezüglich der Garantiebestimmungen in anderen Ländern wenden Sie sich bitte an Ihren lokalen Händler.

Sicherheitshinweise

- Dieses Gerät NICHT öffnen. Die eingebauten Komponenten sind für den Kunden wartungsfrei.
- Um unnötigen Verschleiß zu vermeiden und die Lebensdauer des Geräts zu verlängern, trennen Sie während längerer Perioden des Nichtgebrauchs das Gerät vom Stromnetz – entweder per Trennschalter oder durch Herausziehen des Steckers aus der Steckdose.
- Dieses Gerät darf NICHT in Wasser eingetaucht werden (IP65). Eine temporärer Verwendung dieses Geräts im Freien ist möglich.
- Dieses Geräts eignet sich nicht für eine permanente Installation im Außenbereich an Orten mit extremen Umweltbedingungen. Dies beinhaltet insbesondere:
 - Exposition gegenüber Meeres-/salzhaltigen Umgebungen (innerhalb von 5 km eines salzhaltigen Gewässers).
 - Orte, an denen die normalen Niedrigst- oder Höchsttemperaturen außerhalb des im Handbuch angegebenen Temperaturbereichs liegen.
 - Orte, die überflutet oder zugeschneit werden können.
 - Sonstige Bereiche, in denen das Produkt einer großen Strahlung oder ätzenden Substanzen ausgesetzt ist.
- NIEMALS in die Lichtquelle schauen, während das Gerät eingeschaltet ist.
- VORSICHT: Das Gehäuse dieses Produkts kann während des Betriebs heiß werden. Installieren Sie das Gerät an einem Ort mit ausreichender Belüftung und mit einem Abstand von mindestens 20 cm zu den angrenzenden Flächen.
- Belassen Sie KEINE entflammaren Materialien in einem Umkreis von 20 cm dieses Geräts, während es in Betrieb oder an der Stromversorgung angeschlossen ist.
- VORSICHT: Beim Transport des Geräts von einer Umgebung mit außergewöhnlichen Temperaturen in eine andere solche Umgebung (z. B. aus einem kalten Transporter in einen warm-feuchten Ballsaal) kann an der im Gerät enthaltenen Elektronik Wasser kondensieren. Um einen Defekt zu vermeiden, muss sich das Gerät erst in der neuen Umgebung akklimatisiert haben, bevor es an die Stromversorgung angeschlossen werden kann.
- VERWENDEN Sie bei Montage über Kopf immer ein Sicherungsseil.
- NIEMALS das Gerät in Betrieb nehmen, wenn Ihnen das Gehäuse, die Linsen oder das Kabel beschädigt erscheinen.
- Schließen Sie dieses Gerät NICHT an einen Dimmer oder Regelwiderstand an.
- Schließen Sie dieses Produkt NUR an einen mit der Erde verbundenen und geschützten Stromkreis an.
- Das Gerät NUR an den Hänge-/Befestigungsbügeln oder Griffen tragen.
- Bei ernsthaften Betriebsproblemen stoppen Sie umgehend die Verwendung des Geräts.
- Die maximal zulässige Umgebungstemperatur beträgt 45 °C. Nehmen Sie das Gerät nicht bei höheren Temperaturen in Betrieb.
- Die Leuchte sollte so positioniert werden, dass ein langes starres Schauen in die Leuchte in einem Abstand von weniger als 3,0 m nicht zu erwarten ist.
- Ist das externe flexible Kabel dieser Leuchte beschädigt, muss es durch ein gleichwertiges Kabel oder ein ausschließlich vom Hersteller oder dessen Vertriebspartner erhältliches Kabel ersetzt werden.
- Das in dieser Leuchte enthaltene Leuchtmittel darf nur vom Hersteller oder dessen Vertriebspartner oder einer ähnlich qualifizierten Person ausgetauscht werden.
- Die Leuchte ist ausschließlich für den professionellen Einsatz bestimmt.

FCC-Konformität

Dieses Gerät erfüllt Teil 15, Teil B, der FCC-Bestimmungen. Der Betrieb ist an folgende zwei Bedingungen geknüpft:

1. Dieses Gerät darf keine schädlichen Interferenzen verursachen, und
2. Dieses Gerät muss empfangende Interferenzen aufnehmen können, auch Interferenzen, die eventuell einen unerwünschten Betrieb verursachen.

Jegliche Änderungen oder Modifikationen, die nicht ausdrücklich von der Partei genehmigt wurden, die für die Compliance zuständig ist, könnten die Berechtigung des Benutzers zum Betrieb dieses Geräts aufheben.

Kontakt

Kunden außerhalb der USA, GB, Irland, Benelux, Frankreich, Deutschland oder Mexiko wenden sich an ihren Lieferanten, um den Kundensupport in Anspruch zu nehmen oder ein Produkt zurückzuschicken. Kontaktinformationen finden Sie im [Contact Us](#) am Ende dieses QRG.

Packungsinhalt

- COLORado PXL Bar 8 mit Blendschutz
- Netz Kabel Seetronic Powerkon IP65
- Omega-Hängebügel
- Schnellanleitung

Wechselstrom

Dieses Gerät verfügt über ein Vorschaltgerät, das automatisch die anliegende Spannung erkennt, sobald der Netzstecker in die Schuko-Steckdose gesteckt wird, und kann mit einer Eingangsspannung von 100~240 V~, 50/60 Hz arbeiten.

Serienschaltung der Geräte

Bis zu 1 COLORado PXL Bar 8-Produkte mit 100 V, 3 Produkte mit 120 V, 5 Produkte mit 208 V, 6 Produkte mit 230 V oder 6 Produkte mit 240 V verbinden. Überschreiten Sie niemals diese Anzahl. Power-Link-Kabel können separat erworben werden.

Wechselstromstecker

Anschluss	Draht (USA)	Draht (Europa)	Schraubenfarbe
Stromführender AC-Leiter	Schwarz	Braun	Gelb/Messingfarben
AC-Neutralleiter	Weiß	Blau	Silber
AC-Erdungsleiter	Grün/Gelb	Grün/Gelb	Grün



Um unnötigen Verschleiß zu vermeiden und die Lebensdauer des Geräts zu verlängern, trennen Sie während längerer Perioden des Nichtgebrauchs das Gerät vom Stromnetz – entweder per Trennschalter oder durch Herausziehen des Steckers aus der Steckdose.

Signalanschlüsse

Sie können den COLORado PXL Bar 8 per Ethernet mit einer Controller-Software verbinden. Werden an de mit Art-Net™ oder sACN compatible Produkte zusammen mit dem COLORado PXL Bar 8 verwendet, können Sie jedes der Produkte innerhalb eines einzigen Netzwerks ansteuern. Informationen zum Anschließen und Konfigurieren des Produkts für diese Signale finden Sie in der Bedienungsanleitung.

Persönlichkeiten kontrollieren

Der COLORado PXL Bar 8 verwendet DMX, Art-Net™, sACN und Kling-Net für seine Kontrollpersönlichkeiten:

Einzelsteuerung	Dual Control Bewegung	Dual Kontrollwerte LED
Basic (19 Kanäle)	Basic (7 Kanäle)	Basic (24 Kanäle)
Standard (51 Kanäle)	Standard (19 Kanäle)	Standard (32 Kanäle)
Advanced (89 Kanäle)	Advanced (25 Kanäle)	Advanced (64 Kanäle)
Tour (105 Kanäle)		
Verwendet DMX, Art-Net™ oder sACN	Verwendet DMX, Art-Net™ oder sACN	Verwendet DMX, Art-Net™, sACN oder Kling-Net



Im Dual Control-Modus können das Bewegungsprotokoll und das LEDprotokoll nicht identisch sein.

DMX-Verbindung

Der COLORado PXL Bar 8 kann mit einem DMX-Controller betrieben werden, wenn eine 5-polige DMX-Serienschaltung zum Einsatz kommt. Sie können sich eine Einführung in DMX unter www.chauvetprofessional.com herunterladen.

RDM (Remote Device Management)

Remote Device Management bzw. RDM ist ein Standard, mit dem DMX-aktivierte Geräte bidirektional entlang bestehender DMX-Kabel kommunizieren können. Lesen Sie die Bedienungsanleitung des DMX-Controllers oder wenden Sie sich an den Hersteller, da nicht alle DMX-Controller über diese Funktion verfügt. Der COLORado PXL Bar 8 unterstützt das RDM-Protokoll, das ein Feedback zur Vornahme von Änderungen der Menüoptionen erlaubt. Laden Sie für weiterführende Informationen unter www.chauvetprofessional.com das Benutzerhandbuch herunter.

Art-Net™-Verbindung

Art-Net™ ist ein Ethernet-Protokoll, das mit TCP/IP eine große Menge an DMX512-Daten über ein großes Netzwerk an eine Amphenol XLR Net RJ45-Verbindung überträgt. Das Dokument des Art-Net™-Protokolls können Sie unter www.chauvetprofessional.com herunterladen. Chauvet Professional empfiehlt für beste Ergebnisse die Verwendung von unicast Art-Net™.

Art-Net™-Design und -Copyright Artistic Licence Holdings Ltd.

sACN-Verbindung

Das auch als ANSI E1.31 bekannte Streaming-ACN ist ein Ethernet-Protokoll, das auf das Layering und die Formatierung von Architecture for Control Networks zurückgreift, um DMX512-Daten "over IP" oder ein anderes mit ACN kompatibles Netzwerk übermittelt.

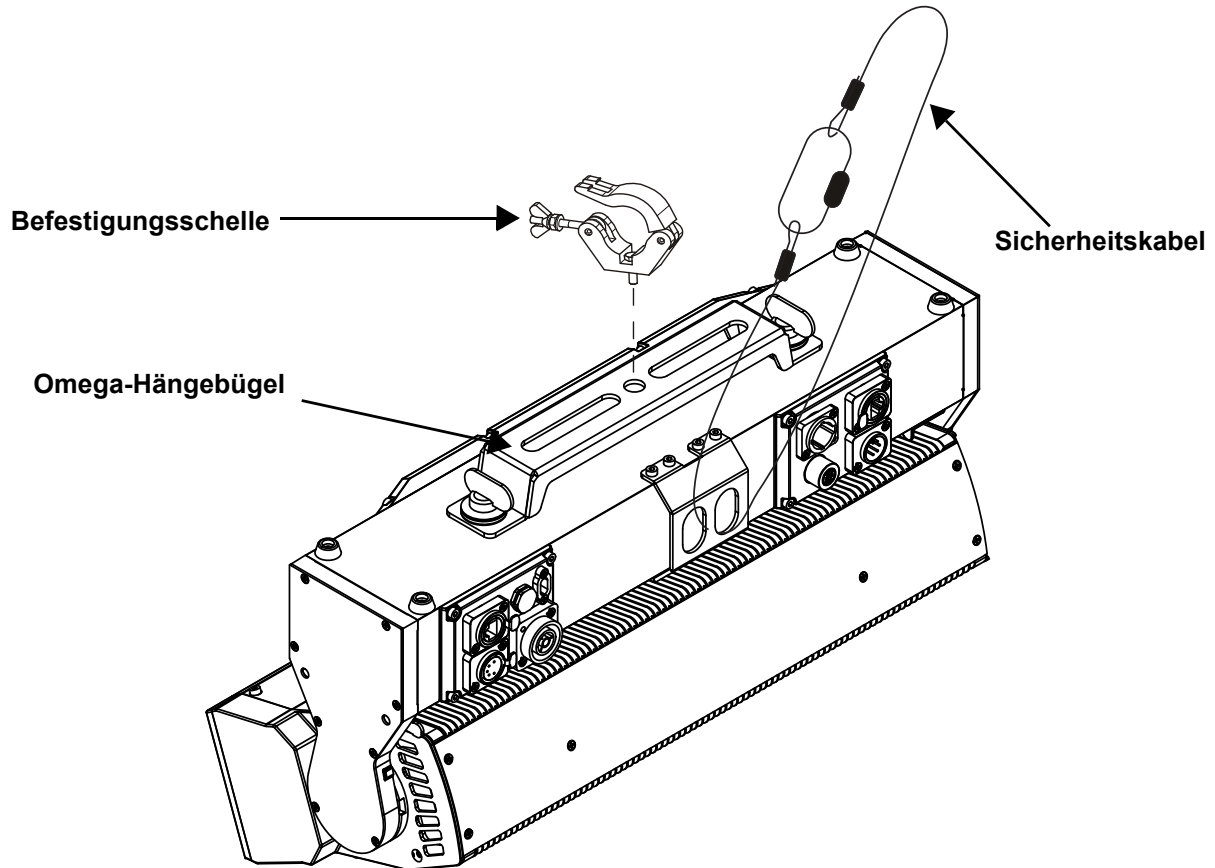
Master/Slave-Schaltung

Der COLORado PXL Bar 8 verwendet für seinen Master/Slave-Modus eine DMX-Datenverbindung. Informationen zum Anschließen und Konfigurieren des Geräts für einen Master/Slave-Betrieb finden Sie in der Bedienungsanleitung.

Montage

Lesen Sie vor der Montage dieses Geräts die [Sicherheitshinweise](#) durch. Mindestens zwei Befestigungspunkt pro Gerät verwenden. Stellen Sie sicher, dass die Befestigungsklemmen dafür ausgelegt sind, das Produktgewicht tragen zu können. Informationen zu unserer CHAUVET-Produktlinie für Befestigungsklemmen finden Sie unter <http://trusst.com/productcategory/truss-clamps/>.

Montageansicht



Beschreibung des Bedienfeldes

Taste	Funktion
<MENU>	Damit verlassen Sie das aktuelle Menü oder die Funktion.
<ENTER>	Damit wird das aktuell angezeigte Menü aktiviert oder der aktuell ausgewählte Wert einer Funktion eingestellt.
<UP>	Damit navigieren Sie sich durch die Menüpunkte nach oben oder erhöhen den numerischen Wert der entsprechenden Funktion.
<DOWN>	Damit navigieren Sie sich durch die Menüpunkte nach unten oder verringern den numerischen Wert der entsprechenden Funktion.

Menüstruktur

Die neueste Menükarte finden Sie auf der COLORado PXL Bar 8--produktseite unter www.chauvetprofessional.com

Programmirebenen			Beschreibung			
Control Settings			Control Settings Main Level			
Single Control	DMX	Personality	Basic	Legt die DMX-Persönlichkeit fest (siehe Persönlichkeiten kontrollieren)		
			Standard			
			Advanced			
			Tour			
		Start Address	0-512	Legt die DMX-Startadresse fest		
	ArtNet	Personality	Basic	Legt die Art-Net™-Persönlichkeit fest (siehe Persönlichkeiten kontrollieren)		
			Standard			
			Advanced			
			Tour			
		Start Address	0-512	Legt die Art-Net™-Startadresse fest		
		Universe	0-255	Legt das Art-Net™-Universum fest		
	sACN	Personality	Basic	Legt die sACN-Persönlichkeit fest (siehe Persönlichkeiten kontrollieren)		
Standard						
Advanced						
Tour						
	Start Address	0-512	Legt die sACN-Startadresse fest			
	Universe	0-255	Legt das sACN-Universum fest			
Control Settings	Movement	DMX	Basic	Legt die DMX-Persönlichkeit fest (siehe Persönlichkeiten kontrollieren)		
			Standard			
			Advanced			
			Tour			
			Start Address	0-512	Legt die DMX-Startadresse fest	
		ArtNet	Personality	Basic	Legt die Art-Net™-Persönlichkeit fest (siehe Persönlichkeiten kontrollieren)	
				Standard		
				Advanced		
				Tour		
			Start Address	0-512	Legt die Art-Net™-Startadresse fest	
			Universe	0-255	Legt das Art-Net™-Universum fest	
		sACN	Personality	Basic	Legt die sACN-Persönlichkeit fest (siehe Persönlichkeiten kontrollieren)	
	Standard					
	Advanced					
	Tour					
		Start Address	0-512	Legt die sACN-Startadresse fest		
		Universe	0-255	Legt das sACN-Universum fest		
	Dual Control	LED	DMX	Basic	Legt die DMX-Persönlichkeit fest (siehe Persönlichkeiten kontrollieren)	
				Standard		
				Advanced		
				Tour		
				Start Address	0-512	Legt die DMX-Startadresse fest
			ArtNet	Personality	Basic	Legt die Art-Net™-Persönlichkeit fest (siehe Persönlichkeiten kontrollieren)
		Standard				
Advanced						
Tour						
		Start Address	0-512	Legt die Art-Net™-Startadresse fest		
		Universe	0-255	Legt das Art-Net™-Universum fest		
sACN		Personality	Basic	Legt die sACN-Persönlichkeit fest (siehe Persönlichkeiten kontrollieren)		
	Standard					
	Advanced					
	Tour					
	Start Address	0-512	Legt die sACN-Startadresse fest			
	Universe	0-255	Legt das sACN-Universum fest			
KlingNet	Personality	Basic	Legt die Kling-Net-Persönlichkeit fest (siehe Persönlichkeiten kontrollieren)			
		Standard				

Hauptlevel	Programmirebenen		Beschreibung	
Run Mode	Auto Test		Alle Funktionen automatisch testen	
	Manual Test	Tilt	000–255	Kontrollieren und testen Sie alle Einstellungen manuell über das Bedienfeld
		P/T Speed		
		Red		
		Green		
		Blue		
		White		
		CTC		
		Color		
		Pattern		
		LED Macro		
		LED Ma. Speed		
		LED Ma. Fade		
		Background		
		Background Dim.		
Dimmer				
Shutter				
Function				
Zoom1				
Setup	Network Settings	IP Mode	Manual	IP-Adresse manuell einstellen
			DHCP	Netzwerk legt die IP-Adresse fest
			Static	Produkt legt die IP-Adresse fest
		IP Byte 1–4	000–255	Legt die IP-Adresse im manuellen Modus fest
		SubMask 1–4	000–255	Legt Subnetzmaske im manuellen Modus fest
	Tilt Reverse		OFF	Neigung Normal
			ON	Umgekehrte Neigung
	Zoom Reverse		OFF	Zoom Normal
			ON	Umgekehrter Zoom
	Screen Reverse		NO	Normale Anzeige
			YES	Umgekehrte Anzeige
			AUTO	Automatische Anzeigerichtung
	Tilt Angle		200	Neigungsbereich 200°
			180	Neigungsbereich 180°
			60	Neigungsbereich 60°
	BL. O. P/T Move		NO	Während Neigung nicht verdunkeln
			YES	Während Neigung verdunkeln
	Backlight Timer		30S	Anzeige schaltet nach 30 Sekunden ab
			1M	Anzeige schaltet nach 1 Minute ab
			5M	Anzeige schaltet nach 5 Minuten ab
			ON	Anzeige bleibt an
	Loss of Data		Hold	Hält das zuletzt erhaltene Signal
			Close	Verdunkelt Gerät
	Fans		Auto	Lüfterdrehzahl gemäß Gerätetemperatur
			Full	Lüfterdrehzahl auf volle Drehzahl
			ECO	Lautloser Modus
	Defrost Fan		OFF	Activate defrost fan
			ON	Deactivate defrost fan
	C Mixing Mode		RGBW	RGBW-Modus
			CMY	CMY-Modus (R=C, G=M, B=Y)
Dimmer Curve		Linear	Stellt die Dimmungskurve ein	
		Square		
		I Squa		
		SCurve		
Dimmer Speed		Smooth	Stellt die Dimmungsgeschwindigkeit ein	
		Fast		

Hauptlevel	Programmirebenen		Beschreibung	
Setup	PWM Option	600Hz	Legt die Frequenz der Puls-Weiten-Modulation fest	
		1200Hz		
		2000Hz		
		4000Hz		
		6000Hz		
		15000Hz		
	Cell Order	1–8	Licht wird aktiviert von links nach rechts	
		8–1	Licht wird aktiviert von rechts nach links	
	Calibrated White	ON	Standard-Ausgangstemperatur des Lichts eingestellt auf 7500 K	
		OFF	Deaktiviert Einstellung für kalibriertes Weiß	
		Custom	Passen Sie die Lichtausgangstemperatur mit dem Weißabgleich an	
	White Balance	Red	000–255	Stellt den maximalen Wert der roten LED ein
		Green		Stellt den maximalen Wert der grünen LED ein
		Blue		Stellt den maximalen Wert der blauen LED ein
		White		Stellt den maximalen Wert der weißen LED ein
Preset Select	PRESET A	Aufgezeichnete Voreinstellungs-Menüoptionen		
	PRESET B			
	PRESET C			
Preset Sync	NO	Ermöglicht die Übermittlung aufgezeichneter Voreinstellungs-Menüoptionen an andere COLORado PXL Bar 8-Geräte in der DMX-Serienschaltung		
	YES			
USB Update	NO	Aktiviert / deaktiviert die Aktualisierung über USB		
	YES			
Reset Function	Tilt	NO	Setzt einzelne oder alle Funktionen ab Start zurück	
		YES		
	Zoom	NO		
		YES		
	All	NO		
		YES		
Factory Settings	NO	Setzt auf die standardmäßigen Werkseinstellungen zurück		
	YES			
Information	Firmware Version		V_	Zeigt die Firmware-Version an
	Running Mode		---	Zeigt den aktuellen Betriebsmodus an
	Address		---	Zeigt die aktuelle DMX-Startadresse an
	Temperature		---	Zeigt die aktuelle Temperatur des Geräts in °C an
	Fixture Time		-----	Zeigt an, wie lange das Gerät eingeschaltet gewesen ist
	LED Hours			Zeigt die Gesamtstunden an, in denen die LED eingeschaltet wurde
	ArtNet Info	Ip	-----	Zeigt die aktuelle IP-Adresse an
		SubMask	-----	Zeigt die aktuelle Subnetzmaske an
		MAC	-----	Zeigt die aktuelle MAC-Adresse an
	Device UID		-----	Zeigt die Produkt-UID an
	Fan Information	Head Fan 1–5	----	Zeigt die Drehzahl der Kopflüfter in U/min an
Defrost Fan 1		----	Zeigt Drehzahl des Abtaulüfters in U/min an	
Base Fan 1		----	Zeigt die Drehzahl des Basislüfters in U/min an	

DMX-Werte

Single Control: Tourmodus (105CH)

Kanal	Funktion	Wert	Prozent/Einstellung
1	Neigung	000 ⇔ 255	0–100%
2	Neigung fein	000 ⇔ 255	0–100%
3	Neigungsgeschwindigkeit	000 ⇔ 255	0–100%
4	CTC	000 001 ⇔ 255	Kein Funktion Farbtemperatur, 1900–2700 K
5	Farbe	000 ⇔ 255	siehe Farbkarte
6	Muster (siehe Muster)	000 001 ⇔ 215 216 ⇔ 255	Kein Funktion Muster 1–215 Kein Funktion
7	LED Makro	000 ⇔ 255	siehe Muster
8	LED Makrogeschwindigkeit	000 ⇔ 127 128 129 ⇔ 255	Auto-Geschwindigkeit, schnell bis langsam Halt Auto-Geschwindigkeit, langsam bis schnell
9	LED eingebaute Verzögerung	000 ⇔ 255	Schnell bis langsam
10	Hintergrundfarbe	000 ⇔ 255	siehe Farbkarte
11	Hintergrunddimmer	000 ⇔ 255	0–100%
12	Hintergrund feiner Dimmer	000 ⇔ 255	0–100%
13	Hauptdimmer	000 ⇔ 255	0–100%
14	Haupt feiner dimmer	000 ⇔ 255	0–100%
15	Strobe	000 ⇔ 255	siehe Blitzeinstellungen
16	Zoomen	000 ⇔ 255	Breit bis schmal
17	Steuerung	000 ⇔ 255	siehe Steuerungseinstellungen
18	Hauptrot	000 ⇔ 255	RGBW-Modus: 0–100% / CMY-Modus: 100–0%
19	Hauptfeines rot	000 ⇔ 255	RGBW-Modus: 0–100% / CMY-Modus: 100–0%
20	Hauptgrün	000 ⇔ 255	RGBW-Modus: 0–100% / CMY-Modus: 100–0%
21	Hauptfeines grün	000 ⇔ 255	RGBW-Modus: 0–100% / CMY-Modus: 100–0%
22	Hauptblau	000 ⇔ 255	RGBW-Modus: 0–100% / CMY-Modus: 100–0%
23	Hauptfeines Blau	000 ⇔ 255	RGBW-Modus: 0–100% / CMY-Modus: 100–0%
24	Hauptweiß	000 ⇔ 255	RGBW-Modus: 0–100% / CMY-Modus: 100–0%
25	Haupt feines Weiß	000 ⇔ 255	RGBW-Modus: 0–100% / CMY-Modus: 100–0%
26	Dimmer 1	000 ⇔ 255	0–100%
27	Feiner dimmer 1	000 ⇔ 255	0–100%
28	Rot 1 Cyan 1	000 ⇔ 255	RGBW-Modus: 0–100% / CMY-Modus: 100–0%
29	Feines rot 1 Feines Cyan 1	000 ⇔ 255	RGBW-Modus: 0–100% / CMY-Modus: 100–0%
30	Grün 1 Magenta 1	000 ⇔ 255	RGBW-Modus: 0–100% / CMY-Modus: 100–0%
31	Feines grün 1 Feines Magenta 1	000 ⇔ 255	RGBW-Modus: 0–100% / CMY-Modus: 100–0%
32	Blau 1 Gelb 1	000 ⇔ 255	RGBW-Modus: 0–100% / CMY-Modus: 100–0%
33	Feines blau 1 Feines Gelb 1	000 ⇔ 255	RGBW-Modus: 0–100% / CMY-Modus: 100–0%
34	Weiß 1	000 ⇔ 255	RGBW-Modus: 0–100% / CMY-Modus: 100–0%
35	Feines Weiß 1	000 ⇔ 255	RGBW-Modus: 0–100% / CMY-Modus: 100–0%
36	Dimmer 2	000 ⇔ 255	0–100%
37	Feiner dimmer 2	000 ⇔ 255	0–100%
38	Rot 2 Cyan 2	000 ⇔ 255	RGBW-Modus: 0–100% / CMY-Modus: 100–0%
39	Feines rot 2 Feines Cyan 2	000 ⇔ 255	RGBW-Modus: 0–100% / CMY-Modus: 100–0%
40	Grün 2 Magenta 2	000 ⇔ 255	RGBW-Modus: 0–100% / CMY-Modus: 100–0%
41	Feines grün 2 Feines Magenta 2	000 ⇔ 255	RGBW-Modus: 0–100% / CMY-Modus: 100–0%
42	Blau 2 Gelb 2	000 ⇔ 255	RGBW-Modus: 0–100% / CMY-Modus: 100–0%
43	Feines blau 2 Feines Gelb 2	000 ⇔ 255	RGBW-Modus: 0–100% / CMY-Modus: 100–0%
44	Weiß 2	000 ⇔ 255	RGBW-Modus: 0–100% / CMY-Modus: 100–0%

Kanal	Funktion	Wert	Prozent/Einstellung
45	Feines Weiß 2	000 ⇔ 255	RGBW-Modus: 0–100% / CMY-Modus: 100–0%
46	Dimmer 3	000 ⇔ 255	0–100%
47	Feiner dimmer 3	000 ⇔ 255	0–100%
48	Rot 3 Cyan 3	000 ⇔ 255	RGBW-Modus: 0–100% / CMY-Modus: 100–0%
49	Feines rot 3 Feines Cyan 3	000 ⇔ 255	RGBW-Modus: 0–100% / CMY-Modus: 100–0%
50	Grün 3 Magenta 3	000 ⇔ 255	RGBW-Modus: 0–100% / CMY-Modus: 100–0%
51	Feines grün 3 Feines Magenta 3	000 ⇔ 255	RGBW-Modus: 0–100% / CMY-Modus: 100–0%
52	Blau 3 Gelb 3	000 ⇔ 255	RGBW-Modus: 0–100% / CMY-Modus: 100–0%
53	Feines blau 3 Feines Gelb 3	000 ⇔ 255	RGBW-Modus: 0–100% / CMY-Modus: 100–0%
54	Weiß 3	000 ⇔ 255	RGBW-Modus: 0–100% / CMY-Modus: 100–0%
55	Feines Weiß 3	000 ⇔ 255	RGBW-Modus: 0–100% / CMY-Modus: 100–0%
56	Dimmer 4	000 ⇔ 255	0–100%
57	Feiner dimmer 4	000 ⇔ 255	0–100%
58	Rot 4 Cyan 4	000 ⇔ 255	RGBW-Modus: 0–100% / CMY-Modus: 100–0%
59	Feines rot 4 Feines Cyan 4	000 ⇔ 255	RGBW-Modus: 0–100% / CMY-Modus: 100–0%
60	Grün 4 Magenta 4	000 ⇔ 255	RGBW-Modus: 0–100% / CMY-Modus: 100–0%
61	Feines grün 4 Feines Magenta 4	000 ⇔ 255	RGBW-Modus: 0–100% / CMY-Modus: 100–0%
62	Blau 4 Gelb 4	000 ⇔ 255	RGBW-Modus: 0–100% / CMY-Modus: 100–0%
63	Feines blau 4 Feines Gelb 4	000 ⇔ 255	RGBW-Modus: 0–100% / CMY-Modus: 100–0%
64	Weiß 4	000 ⇔ 255	RGBW-Modus: 0–100% / CMY-Modus: 100–0%
65	Feines Weiß 4	000 ⇔ 255	RGBW-Modus: 0–100% / CMY-Modus: 100–0%
66	Dimmer 5	000 ⇔ 255	0–100%
67	Feiner dimmer 5	000 ⇔ 255	0–100%
68	Rot 5 Cyan 5	000 ⇔ 255	RGBW-Modus: 0–100% / CMY-Modus: 100–0%
69	Feines rot 5 Feines Cyan 5	000 ⇔ 255	RGBW-Modus: 0–100% / CMY-Modus: 100–0%
70	Grün 5 Magenta 5	000 ⇔ 255	RGBW-Modus: 0–100% / CMY-Modus: 100–0%
71	Feines grün 5 Feines Magenta 5	000 ⇔ 255	RGBW-Modus: 0–100% / CMY-Modus: 100–0%
72	Blau 5 Gelb 5	000 ⇔ 255	RGBW-Modus: 0–100% / CMY-Modus: 100–0%
73	Feines blau 5 Feines Gelb 5	000 ⇔ 255	RGBW-Modus: 0–100% / CMY-Modus: 100–0%
74	Weiß 5	000 ⇔ 255	RGBW-Modus: 0–100% / CMY-Modus: 100–0%
75	Feines Weiß 5	000 ⇔ 255	RGBW-Modus: 0–100% / CMY-Modus: 100–0%
76	Dimmer 6	000 ⇔ 255	0–100%
77	Feiner dimmer 6	000 ⇔ 255	0–100%
78	Rot 6 Cyan 6	000 ⇔ 255	RGBW-Modus: 0–100% / CMY-Modus: 100–0%
79	Feines rot 6 Feines Cyan 6	000 ⇔ 255	RGBW-Modus: 0–100% / CMY-Modus: 100–0%
80	Grün 6 Magenta 6	000 ⇔ 255	RGBW-Modus: 0–100% / CMY-Modus: 100–0%
81	Feines grün 6 Feines Magenta 6	000 ⇔ 255	RGBW-Modus: 0–100% / CMY-Modus: 100–0%
82	Blau 6 Gelb 6	000 ⇔ 255	RGBW-Modus: 0–100% / CMY-Modus: 100–0%
83	Feines blau 6 Feines Gelb 6	000 ⇔ 255	RGBW-Modus: 0–100% / CMY-Modus: 100–0%
84	Weiß 6	000 ⇔ 255	RGBW-Modus: 0–100% / CMY-Modus: 100–0%
85	Feines Weiß 6	000 ⇔ 255	RGBW-Modus: 0–100% / CMY-Modus: 100–0%
86	Dimmer 7	000 ⇔ 255	0–100%
87	Feiner dimmer 7	000 ⇔ 255	0–100%
88	Rot 7 Cyan 7	000 ⇔ 255	RGBW-Modus: 0–100% / CMY-Modus: 100–0%
89	Feines rot 7 Feines Cyan 7	000 ⇔ 255	RGBW-Modus: 0–100% / CMY-Modus: 100–0%
90	Grün 7 Magenta 7	000 ⇔ 255	RGBW-Modus: 0–100% / CMY-Modus: 100–0%
91	Feines grün 7 Feines Magenta 7	000 ⇔ 255	RGBW-Modus: 0–100% / CMY-Modus: 100–0%
92	Blau 7 Gelb 7	000 ⇔ 255	RGBW-Modus: 0–100% / CMY-Modus: 100–0%
93	Feines blau 7 Feines Gelb 7	000 ⇔ 255	RGBW-Modus: 0–100% / CMY-Modus: 100–0%
94	Weiß 7	000 ⇔ 255	RGBW-Modus: 0–100% / CMY-Modus: 100–0%
95	Feines Weiß 7	000 ⇔ 255	RGBW-Modus: 0–100% / CMY-Modus: 100–0%

Kanal	Funktion	Wert	Prozent/Einstellung
96	Dimmer 8	000 ⇔ 255	0–100%
97	Feiner dimmer 8	000 ⇔ 255	0–100%
98	Rot 8 Cyan 8	000 ⇔ 255	RGBW-Modus: 0–100% / CMY-Modus: 100–0%
99	Feines rot 8 Feines Cyan 8	000 ⇔ 255	RGBW-Modus: 0–100% / CMY-Modus: 100–0%
100	Grün 8 Magenta 8	000 ⇔ 255	RGBW-Modus: 0–100% / CMY-Modus: 100–0%
101	Feines grün 8 Feines Magenta 8	000 ⇔ 255	RGBW-Modus: 0–100% / CMY-Modus: 100–0%
102	Blau 8 Gelb 8	000 ⇔ 255	RGBW-Modus: 0–100% / CMY-Modus: 100–0%
103	Feines blau 8 Feines Gelb 8	000 ⇔ 255	RGBW-Modus: 0–100% / CMY-Modus: 100–0%
104	Weiß 8	000 ⇔ 255	RGBW-Modus: 0–100% / CMY-Modus: 100–0%
105	Feines Weiß 8	000 ⇔ 255	RGBW-Modus: 0–100% / CMY-Modus: 100–0%

Single Control: Advanced-modus (89CH)

Kanal	Funktion	Wert	Prozent/Einstellung
1	Neigung	000 ⇔ 255	0–100%
2	Neigung fein	000 ⇔ 255	0–100%
3	Neigungsgeschwindigkeit	000 ⇔ 255	0–100%
4	CTC	000 001 ⇔ 255	Kein Funktion Farbtemperatur, 1900–2700 K
5	Farbe	000 ⇔ 255	siehe Farbkarte
6	Muster (siehe Muster)	000 001 ⇔ 215 216 ⇔ 255	Kein Funktion Muster 1–215 Kein Funktion
7	LED Makro	000 ⇔ 255	siehe Muster
8	LED Makrogeschwindigkeit	000 ⇔ 127 128 129 ⇔ 255	Auto-Geschwindigkeit, schnell bis langsam Halt Auto-Geschwindigkeit, langsam bis schnell
9	LED eingebaute Verzögerung	000 ⇔ 255	Schnell bis langsam
10	Hintergrundfarbe	000 ⇔ 255	siehe Farbkarte
11	Hintergrunddimmer	000 ⇔ 255	0–100%
12	Hintergrund feiner Dimmer	000 ⇔ 255	0–100%
13	Hauptdimmer	000 ⇔ 255	0–100%
14	Haupt feiner dimmer	000 ⇔ 255	0–100%
15	Strobe	000 ⇔ 255	siehe Blitzeinstellungen
16	Zoomen	000 ⇔ 255	Breit bis schmal
17	Steuerung	000 ⇔ 255	siehe Steuerungseinstellungen
18	Hauptrot	000 ⇔ 255	RGBW-Modus: 0–100% / CMY-Modus: 100–0%
19	Hauptfeines rot	000 ⇔ 255	RGBW-Modus: 0–100% / CMY-Modus: 100–0%
20	Hauptgrün	000 ⇔ 255	RGBW-Modus: 0–100% / CMY-Modus: 100–0%
21	Hauptfeines grün	000 ⇔ 255	RGBW-Modus: 0–100% / CMY-Modus: 100–0%
22	Hauptblau	000 ⇔ 255	RGBW-Modus: 0–100% / CMY-Modus: 100–0%
23	Hauptfeines Blau	000 ⇔ 255	RGBW-Modus: 0–100% / CMY-Modus: 100–0%
24	Hauptweiß	000 ⇔ 255	RGBW-Modus: 0–100% / CMY-Modus: 100–0%
25	Haupt feines Weiß	000 ⇔ 255	RGBW-Modus: 0–100% / CMY-Modus: 100–0%
26	Rot 1 Cyan 1	000 ⇔ 255	RGBW-Modus: 0–100% / CMY-Modus: 100–0%
27	Feines rot 1 Feines Cyan 1	000 ⇔ 255	RGBW-Modus: 0–100% / CMY-Modus: 100–0%
28	Grün 1 Magenta 1	000 ⇔ 255	RGBW-Modus: 0–100% / CMY-Modus: 100–0%
29	Feines grün 1 Feines Magenta 1	000 ⇔ 255	RGBW-Modus: 0–100% / CMY-Modus: 100–0%
30	Blau 1 Gelb 1	000 ⇔ 255	RGBW-Modus: 0–100% / CMY-Modus: 100–0%
31	Feines blau 1 Feines Gelb 1	000 ⇔ 255	RGBW-Modus: 0–100% / CMY-Modus: 100–0%
32	Weiß 1	000 ⇔ 255	RGBW-Modus: 0–100% / CMY-Modus: 100–0%

Kanal	Funktion	Wert	Prozent/Einstellung
33	Feines Weiß 1	000 ⇔ 255	RGBW-Modus: 0–100% / CMY-Modus: 100–0%
34	Rot 2	Cyan 2	000 ⇔ 255 RGBW-Modus: 0–100% / CMY-Modus: 100–0%
35	Feines rot 2	Feines Cyan 2	000 ⇔ 255 RGBW-Modus: 0–100% / CMY-Modus: 100–0%
36	Grün 2	Magenta 2	000 ⇔ 255 RGBW-Modus: 0–100% / CMY-Modus: 100–0%
37	Feines grün 2	Feines Magenta 2	000 ⇔ 255 RGBW-Modus: 0–100% / CMY-Modus: 100–0%
38	Blau 2	Gelb 2	000 ⇔ 255 RGBW-Modus: 0–100% / CMY-Modus: 100–0%
39	Feines blau 2	Feines Gelb 2	000 ⇔ 255 RGBW-Modus: 0–100% / CMY-Modus: 100–0%
40	Weiß 2		000 ⇔ 255 RGBW-Modus: 0–100% / CMY-Modus: 100–0%
41	Feines Weiß 2		000 ⇔ 255 RGBW-Modus: 0–100% / CMY-Modus: 100–0%
42	Rot 3	Cyan 3	000 ⇔ 255 RGBW-Modus: 0–100% / CMY-Modus: 100–0%
43	Feines rot 3	Feines Cyan 3	000 ⇔ 255 RGBW-Modus: 0–100% / CMY-Modus: 100–0%
44	Grün 3	Magenta 3	000 ⇔ 255 RGBW-Modus: 0–100% / CMY-Modus: 100–0%
45	Feines grün 3	Feines Magenta 3	000 ⇔ 255 RGBW-Modus: 0–100% / CMY-Modus: 100–0%
46	Blau 3	Gelb 3	000 ⇔ 255 RGBW-Modus: 0–100% / CMY-Modus: 100–0%
47	Feines blau 3	Feines Gelb 3	000 ⇔ 255 RGBW-Modus: 0–100% / CMY-Modus: 100–0%
48	Weiß 3		000 ⇔ 255 RGBW-Modus: 0–100% / CMY-Modus: 100–0%
49	Feines Weiß 3		000 ⇔ 255 RGBW-Modus: 0–100% / CMY-Modus: 100–0%
50	Rot 4	Cyan 4	000 ⇔ 255 RGBW-Modus: 0–100% / CMY-Modus: 100–0%
51	Feines rot 4	Feines Cyan 4	000 ⇔ 255 RGBW-Modus: 0–100% / CMY-Modus: 100–0%
52	Grün 4	Magenta 4	000 ⇔ 255 RGBW-Modus: 0–100% / CMY-Modus: 100–0%
53	Feines grün 4	Feines Magenta 4	000 ⇔ 255 RGBW-Modus: 0–100% / CMY-Modus: 100–0%
54	Blau 4	Gelb 4	000 ⇔ 255 RGBW-Modus: 0–100% / CMY-Modus: 100–0%
55	Feines blau 4	Feines Gelb 4	000 ⇔ 255 RGBW-Modus: 0–100% / CMY-Modus: 100–0%
56	Weiß 4		000 ⇔ 255 RGBW-Modus: 0–100% / CMY-Modus: 100–0%
57	Feines Weiß 4		000 ⇔ 255 RGBW-Modus: 0–100% / CMY-Modus: 100–0%
58	Rot 5	Cyan 5	000 ⇔ 255 RGBW-Modus: 0–100% / CMY-Modus: 100–0%
59	Feines rot 5	Feines Cyan 5	000 ⇔ 255 RGBW-Modus: 0–100% / CMY-Modus: 100–0%
60	Grün 5	Magenta 5	000 ⇔ 255 RGBW-Modus: 0–100% / CMY-Modus: 100–0%
61	Feines grün 5	Feines Magenta 5	000 ⇔ 255 RGBW-Modus: 0–100% / CMY-Modus: 100–0%
62	Blau 5	Gelb 5	000 ⇔ 255 RGBW-Modus: 0–100% / CMY-Modus: 100–0%
63	Feines blau 5	Feines Gelb 5	000 ⇔ 255 RGBW-Modus: 0–100% / CMY-Modus: 100–0%
64	Weiß 5		000 ⇔ 255 RGBW-Modus: 0–100% / CMY-Modus: 100–0%
65	Feines Weiß 5		000 ⇔ 255 RGBW-Modus: 0–100% / CMY-Modus: 100–0%
66	Rot 6	Cyan 6	000 ⇔ 255 RGBW-Modus: 0–100% / CMY-Modus: 100–0%
67	Feines rot 6	Feines Cyan 6	000 ⇔ 255 RGBW-Modus: 0–100% / CMY-Modus: 100–0%
68	Grün 6	Magenta 6	000 ⇔ 255 RGBW-Modus: 0–100% / CMY-Modus: 100–0%
69	Feines grün 6	Feines Magenta 6	000 ⇔ 255 RGBW-Modus: 0–100% / CMY-Modus: 100–0%
70	Blau 6	Gelb 6	000 ⇔ 255 RGBW-Modus: 0–100% / CMY-Modus: 100–0%
71	Feines blau 6	Feines Gelb 6	000 ⇔ 255 RGBW-Modus: 0–100% / CMY-Modus: 100–0%
72	Weiß 6		000 ⇔ 255 RGBW-Modus: 0–100% / CMY-Modus: 100–0%
73	Feines Weiß 6		000 ⇔ 255 RGBW-Modus: 0–100% / CMY-Modus: 100–0%
74	Rot 7	Cyan 7	000 ⇔ 255 RGBW-Modus: 0–100% / CMY-Modus: 100–0%
75	Feines rot 7	Feines Cyan 7	000 ⇔ 255 RGBW-Modus: 0–100% / CMY-Modus: 100–0%
76	Grün 7	Magenta 7	000 ⇔ 255 RGBW-Modus: 0–100% / CMY-Modus: 100–0%
77	Feines grün 7	Feines Magenta 7	000 ⇔ 255 RGBW-Modus: 0–100% / CMY-Modus: 100–0%
78	Blau 7	Gelb 7	000 ⇔ 255 RGBW-Modus: 0–100% / CMY-Modus: 100–0%
79	Feines blau 7	Feines Gelb 7	000 ⇔ 255 RGBW-Modus: 0–100% / CMY-Modus: 100–0%
80	Weiß 7		000 ⇔ 255 RGBW-Modus: 0–100% / CMY-Modus: 100–0%
81	Feines Weiß 7		000 ⇔ 255 RGBW-Modus: 0–100% / CMY-Modus: 100–0%
82	Rot 8	Cyan 8	000 ⇔ 255 RGBW-Modus: 0–100% / CMY-Modus: 100–0%
83	Feines rot 8	Feines Cyan 8	000 ⇔ 255 RGBW-Modus: 0–100% / CMY-Modus: 100–0%

Kanal	Funktion	Wert	Prozent/Einstellung
84	Grün 8 Magenta 8	000 ⇔ 255	RGBW-Modus: 0–100% / CMY-Modus: 100–0%
85	Feines grün 8 Feines Magenta 8	000 ⇔ 255	RGBW-Modus: 0–100% / CMY-Modus: 100–0%
86	Blau 8 Gelb 8	000 ⇔ 255	RGBW-Modus: 0–100% / CMY-Modus: 100–0%
87	Feines blau 8 Feines Gelb 8	000 ⇔ 255	RGBW-Modus: 0–100% / CMY-Modus: 100–0%
88	Weiß 8	000 ⇔ 255	RGBW-Modus: 0–100% / CMY-Modus: 100–0%
89	Feines Weiß 8	000 ⇔ 255	RGBW-Modus: 0–100% / CMY-Modus: 100–0%

Single Control: Standardmodus (51CH)

Kanal	Funktion	Wert	Prozent/Einstellung
1	Neigung	000 ⇔ 255	0–100%
2	Neigung fein	000 ⇔ 255	0–100%
3	Neigungsgeschwindigkeit	000 ⇔ 255	0–100%
4	CTC	000 001 ⇔ 255	Kein Funktion Farbtemperatur, 1900–2700 K
5	Farbe	000 ⇔ 255	siehe Farbkarte
6	Muster (siehe Muster)	000 001 ⇔ 215 216 ⇔ 255	Kein Funktion Muster 1–215 Kein Funktion
7	LED Makro	000 ⇔ 255	siehe Muster
8	LED Makrogeschwindigkeit	000 ⇔ 127 128 129 ⇔ 255	Auto-Geschwindigkeit, schnell bis langsam Halt Auto-Geschwindigkeit, langsam bis schnell
9	LED eingebaute Verzögerung	000 ⇔ 255	Schnell bis langsam
10	Hintergrundfarbe	000 ⇔ 255	siehe Farbkarte
11	Hintergrunddimmer	000 ⇔ 255	0–100%
12	Dimmer	000 ⇔ 255	0–100%
13	Strobe	000 ⇔ 255	siehe Blitzeinstellungen
14	Zoomen	000 ⇔ 255	Breit bis schmal
15	Steuerung	000 ⇔ 255	siehe Steuerungseinstellungen
16	Hauptrot	000 ⇔ 255	RGBW-Modus: 0–100% / CMY-Modus: 100–0%
17	Hauptgrün	000 ⇔ 255	RGBW-Modus: 0–100% / CMY-Modus: 100–0%
18	Hauptblau	000 ⇔ 255	RGBW-Modus: 0–100% / CMY-Modus: 100–0%
19	Hauptweiß	000 ⇔ 255	RGBW-Modus: 0–100% / CMY-Modus: 100–0%
20	Rot 1 Cyan 1	000 ⇔ 255	RGBW-Modus: 0–100% / CMY-Modus: 100–0%
21	Grün 1 Magenta 1	000 ⇔ 255	RGBW-Modus: 0–100% / CMY-Modus: 100–0%
22	Blau 1 Gelb 1	000 ⇔ 255	RGBW-Modus: 0–100% / CMY-Modus: 100–0%
23	Weiß 1	000 ⇔ 255	RGBW-Modus: 0–100% / CMY-Modus: 100–0%
24	Rot 2 Cyan 2	000 ⇔ 255	RGBW-Modus: 0–100% / CMY-Modus: 100–0%
25	Grün 2 Magenta 2	000 ⇔ 255	RGBW-Modus: 0–100% / CMY-Modus: 100–0%
26	Blau 2 Gelb 2	000 ⇔ 255	RGBW-Modus: 0–100% / CMY-Modus: 100–0%
27	Weiß 2	000 ⇔ 255	RGBW-Modus: 0–100% / CMY-Modus: 100–0%
28	Rot 3 Cyan 3	000 ⇔ 255	RGBW-Modus: 0–100% / CMY-Modus: 100–0%
29	Grün 3 Magenta 3	000 ⇔ 255	RGBW-Modus: 0–100% / CMY-Modus: 100–0%
30	Blau 3 Gelb 3	000 ⇔ 255	RGBW-Modus: 0–100% / CMY-Modus: 100–0%
31	Weiß 3	000 ⇔ 255	RGBW-Modus: 0–100% / CMY-Modus: 100–0%
32	Rot 4 Cyan 4	000 ⇔ 255	RGBW-Modus: 0–100% / CMY-Modus: 100–0%
33	Grün 4 Magenta 4	000 ⇔ 255	RGBW-Modus: 0–100% / CMY-Modus: 100–0%
34	Blau 4 Gelb 4	000 ⇔ 255	RGBW-Modus: 0–100% / CMY-Modus: 100–0%
35	Weiß 4	000 ⇔ 255	RGBW-Modus: 0–100% / CMY-Modus: 100–0%
36	Rot 5 Cyan 5	000 ⇔ 255	RGBW-Modus: 0–100% / CMY-Modus: 100–0%

Kanal	Funktion	Wert	Prozent/Einstellung
37	Grün 5 Magenta 5	000 ⇔ 255	RGBW-Modus: 0–100% / CMY-Modus: 100–0%
38	Blau 5 Gelb 5	000 ⇔ 255	RGBW-Modus: 0–100% / CMY-Modus: 100–0%
39	Weiß 5	000 ⇔ 255	RGBW-Modus: 0–100% / CMY-Modus: 100–0%
40	Rot 6 Cyan 6	000 ⇔ 255	RGBW-Modus: 0–100% / CMY-Modus: 100–0%
41	Grün 6 Magenta 6	000 ⇔ 255	RGBW-Modus: 0–100% / CMY-Modus: 100–0%
42	Blau 6 Gelb 6	000 ⇔ 255	RGBW-Modus: 0–100% / CMY-Modus: 100–0%
43	Weiß 6	000 ⇔ 255	RGBW-Modus: 0–100% / CMY-Modus: 100–0%
44	Rot 7 Cyan 7	000 ⇔ 255	RGBW-Modus: 0–100% / CMY-Modus: 100–0%
45	Grün 7 Magenta 7	000 ⇔ 255	RGBW-Modus: 0–100% / CMY-Modus: 100–0%
46	Blau 7 Gelb 7	000 ⇔ 255	RGBW-Modus: 0–100% / CMY-Modus: 100–0%
47	Weiß 7	000 ⇔ 255	RGBW-Modus: 0–100% / CMY-Modus: 100–0%
48	Rot 8 Cyan 8	000 ⇔ 255	RGBW-Modus: 0–100% / CMY-Modus: 100–0%
49	Grün 8 Magenta 8	000 ⇔ 255	RGBW-Modus: 0–100% / CMY-Modus: 100–0%
50	Blau 8 Gelb 8	000 ⇔ 255	RGBW-Modus: 0–100% / CMY-Modus: 100–0%
51	Weiß 8	000 ⇔ 255	RGBW-Modus: 0–100% / CMY-Modus: 100–0%

Single Control: Basic-modus (19CH)

Kanal	Funktion	Wert	Prozent/Einstellung
1	Neigung	000 ⇔ 255	0–100%
2	Neigung fein	000 ⇔ 255	0–100%
3	Neigungsgeschwindigkeit	000 ⇔ 255	0–100%
4	CTC	000 001 ⇔ 255	Kein Funktion Farbtemperatur, 1900–2700 K
5	Farbe	000 ⇔ 255	siehe Farbkarte
6	Muster (siehe Muster)	000 001 ⇔ 215 216 ⇔ 255	Kein Funktion Muster 1–215 Kein Funktion
7	LED Makro	000 ⇔ 255	siehe Muster
8	LED Makrogeschwindigkeit	000 ⇔ 127 128 129 ⇔ 255	Auto-Geschwindigkeit, schnell bis langsam Halt Auto-Geschwindigkeit, langsam bis schnell
9	LED eingebaute Verzögerung	000 ⇔ 255	Schnell bis langsam
10	Hintergrundfarbe	000 ⇔ 255	siehe Farbkarte
11	Hintergrunddimmer	000 ⇔ 255	0–100%
12	Hauptdimmer	000 ⇔ 255	0–100%
13	Strobe	000 ⇔ 255	siehe Blitzeinstellungen
14	Zoomen	000 ⇔ 255	Breit bis schmal
15	Steuerung	000 ⇔ 255	siehe Steuerungseinstellungen
16	Rot	000 ⇔ 255	RGBW-Modus: 0–100% / CMY-Modus: 100–0%
17	Grün	000 ⇔ 255	RGBW-Modus: 0–100% / CMY-Modus: 100–0%
18	Blau	000 ⇔ 255	RGBW-Modus: 0–100% / CMY-Modus: 100–0%
19	Weiß	000 ⇔ 255	RGBW-Modus: 0–100% / CMY-Modus: 100–0%



Die Funktion „Single Control: Basic“ des COLORado PXL Bar 8 entspricht genau der Funktion „Single Control: Basic2“ des COLORado PXL Bar 16.

Dual Control Movement: Advanced-modus (25CH)

Kanal	Funktion	Wert	Prozent/Einstellung
1	Neigung	000 ⇔ 255	0–100%
2	Neigung fein	000 ⇔ 255	0–100%
3	Neigungsgeschwindigkeit	000 ⇔ 255	0–100%
4	CTC	000	Kein Funktion
		001 ⇔ 255	Farbtemperatur, 1900–2700 K
5	Farbe	000 ⇔ 255	siehe Farbkarte
6	Muster (siehe Muster)	000	Kein Funktion
		001 ⇔ 215	Muster 1–215
		216 ⇔ 255	Kein Funktion
7	LED Makro	000 ⇔ 255	siehe Muster
8	LED Makrogeschwindigkeit	000 ⇔ 127	Auto-Geschwindigkeit, schnell bis langsam
		128	Halt
		129 ⇔ 255	Auto-Geschwindigkeit, langsam bis schnell
9	LED eingebaute Verzögerung	000 ⇔ 255	Schnell bis langsam
10	Hintergrundfarbe	000 ⇔ 255	siehe Farbkarte
11	Hintergrunddimmer	000 ⇔ 255	0–100%
12	Hintergrund feiner Dimmer	000 ⇔ 255	0–100%
13	Hauptdimmer	000 ⇔ 255	0–100%
14	Haupt feiner dimmer	000 ⇔ 255	0–100%
15	Strobe	000 ⇔ 255	siehe Blitzeinstellungen
16	Zoomen	000 ⇔ 255	Breit bis schmal
17	Steuerung	000 ⇔ 255	siehe Steuerungseinstellungen
18	Hauptrot	000 ⇔ 255	RGBW-Modus: 0–100% / CMY-Modus: 100–0%
19	Hauptfeines rot	000 ⇔ 255	RGBW-Modus: 0–100% / CMY-Modus: 100–0%
20	Hauptgrün	000 ⇔ 255	RGBW-Modus: 0–100% / CMY-Modus: 100–0%
21	Hauptfeines grün	000 ⇔ 255	RGBW-Modus: 0–100% / CMY-Modus: 100–0%
22	Hauptblau	000 ⇔ 255	RGBW-Modus: 0–100% / CMY-Modus: 100–0%
23	Hauptfeines Blau	000 ⇔ 255	RGBW-Modus: 0–100% / CMY-Modus: 100–0%
24	Hauptweiß	000 ⇔ 255	RGBW-Modus: 0–100% / CMY-Modus: 100–0%
25	Haupt feines Weiß	000 ⇔ 255	RGBW-Modus: 0–100% / CMY-Modus: 100–0%

Dual Control Movement: Standardmodus (19CH)

Kanal	Funktion	Wert	Prozent/Einstellung
1	Neigung	000 ⇔ 255	0–100%
2	Neigung fein	000 ⇔ 255	0–100%
3	Neigungsgeschwindigkeit	000 ⇔ 255	0–100%
4	CTC	000 001 ⇔ 255	Kein Funktion Farbtemperatur, 1900–2700 K
5	Farbe	000 ⇔ 255	siehe Farbkarte
6	Muster	000 001 ⇔ 215 216 ⇔ 255	Kein Funktion Muster 1–215 Kein Funktion
7	LED Makro	000 ⇔ 255	siehe Muster
8	LED Makrogeschwindigkeit	000 ⇔ 127 128 129 ⇔ 255	Auto-Geschwindigkeit, schnell bis langsam Halt Auto-Geschwindigkeit, langsam bis schnell
9	LED eingebaute Verzögerung	000 ⇔ 255	Schnell bis langsam
10	Hintergrundfarbe	000 ⇔ 255	siehe Farbkarte
11	Hintergrunddimmer	000 ⇔ 255	0–100%
12	Hauptdimmer	000 ⇔ 255	0–100%
13	Strobe	000 ⇔ 255	siehe Blitzeinstellungen
14	Zoomen	000 ⇔ 255	Breit bis schmal
15	Steuerung	000 ⇔ 255	siehe Steuerungseinstellungen
16	Hauptrot	000 ⇔ 255	RGBW-Modus: 0–100% / CMY-Modus: 100–0%
17	Hauptgrün	000 ⇔ 255	RGBW-Modus: 0–100% / CMY-Modus: 100–0%
18	Hauptblau	000 ⇔ 255	RGBW-Modus: 0–100% / CMY-Modus: 100–0%
19	Hauptweiß	000 ⇔ 255	RGBW-Modus: 0–100% / CMY-Modus: 100–0%

Dual Control Movement: Basic-modus (7CH)

Kanal	Funktion	Wert	Prozent/Einstellung
1	Neigung	000 ⇔ 255	0–100%
2	Neigung fein	000 ⇔ 255	0–100%
3	Neigungsgeschwindigkeit	000 ⇔ 255	0–100%
4	Dimmer	000 ⇔ 255	0–100%
5	Strobe	000 ⇔ 255	siehe Blitzeinstellungen
6	Zoomen	000 ⇔ 255	Breit bis schmal
7	Steuerung	000 ⇔ 255	siehe Steuerungseinstellungen



Die Funktion „Dual Control Movement: Basic“ des COLORado PXL Bar 8 entspricht genau der Funktion „Dual Control Movement: Basic2“ des COLORado PXL Bar 16.

Dual Control LED: Advanced-modus (64CH)

Kanal	Funktion		Wert	Prozent/Einstellung
1	Rot 1	Cyan 1	000 ⇔ 255	RGBW-Modus: 0–100% / CMY-Modus: 100–0%
2	Feines rot 1	Feines Cyan 1	000 ⇔ 255	RGBW-Modus: 0–100% / CMY-Modus: 100–0%
3	Grün 1	Magenta 1	000 ⇔ 255	RGBW-Modus: 0–100% / CMY-Modus: 100–0%
4	Feines grün 1	Feines Magenta 1	000 ⇔ 255	RGBW-Modus: 0–100% / CMY-Modus: 100–0%
5	Blau 1	Gelb 1	000 ⇔ 255	RGBW-Modus: 0–100% / CMY-Modus: 100–0%
6	Feines blau 1	Feines Gelb 1	000 ⇔ 255	RGBW-Modus: 0–100% / CMY-Modus: 100–0%
7	Weiß 1		000 ⇔ 255	RGBW-Modus: 0–100% / CMY-Modus: 100–0%
8	Feines Weiß 1		000 ⇔ 255	RGBW-Modus: 0–100% / CMY-Modus: 100–0%
9	Rot 2	Cyan 2	000 ⇔ 255	RGBW-Modus: 0–100% / CMY-Modus: 100–0%
10	Feines rot 2	Feines Cyan 2	000 ⇔ 255	RGBW-Modus: 0–100% / CMY-Modus: 100–0%
11	Grün 2	Magenta 2	000 ⇔ 255	RGBW-Modus: 0–100% / CMY-Modus: 100–0%
12	Feines grün 2	Feines Magenta 2	000 ⇔ 255	RGBW-Modus: 0–100% / CMY-Modus: 100–0%
13	Blau 2	Gelb 2	000 ⇔ 255	RGBW-Modus: 0–100% / CMY-Modus: 100–0%
14	Feines blau 2	Feines Gelb 2	000 ⇔ 255	RGBW-Modus: 0–100% / CMY-Modus: 100–0%
15	Weiß 2		000 ⇔ 255	RGBW-Modus: 0–100% / CMY-Modus: 100–0%
16	Feines Weiß 2		000 ⇔ 255	RGBW-Modus: 0–100% / CMY-Modus: 100–0%
17	Rot 3	Cyan 3	000 ⇔ 255	RGBW-Modus: 0–100% / CMY-Modus: 100–0%
18	Feines rot 3	Feines Cyan 3	000 ⇔ 255	RGBW-Modus: 0–100% / CMY-Modus: 100–0%
19	Grün 3	Magenta 3	000 ⇔ 255	RGBW-Modus: 0–100% / CMY-Modus: 100–0%
20	Feines grün 3	Feines Magenta 3	000 ⇔ 255	RGBW-Modus: 0–100% / CMY-Modus: 100–0%
21	Blau 3	Gelb 3	000 ⇔ 255	RGBW-Modus: 0–100% / CMY-Modus: 100–0%
22	Feines blau 3	Feines Gelb 3	000 ⇔ 255	RGBW-Modus: 0–100% / CMY-Modus: 100–0%
23	Weiß 3		000 ⇔ 255	RGBW-Modus: 0–100% / CMY-Modus: 100–0%
24	Feines Weiß 3		000 ⇔ 255	RGBW-Modus: 0–100% / CMY-Modus: 100–0%
25	Rot 4	Cyan 4	000 ⇔ 255	RGBW-Modus: 0–100% / CMY-Modus: 100–0%
26	Feines rot 4	Feines Cyan 4	000 ⇔ 255	RGBW-Modus: 0–100% / CMY-Modus: 100–0%
27	Grün 4	Magenta 4	000 ⇔ 255	RGBW-Modus: 0–100% / CMY-Modus: 100–0%
28	Feines grün 4	Feines Magenta 4	000 ⇔ 255	RGBW-Modus: 0–100% / CMY-Modus: 100–0%
29	Blau 4	Gelb 4	000 ⇔ 255	RGBW-Modus: 0–100% / CMY-Modus: 100–0%
30	Feines blau 4	Feines Gelb 4	000 ⇔ 255	RGBW-Modus: 0–100% / CMY-Modus: 100–0%
31	Weiß 4		000 ⇔ 255	RGBW-Modus: 0–100% / CMY-Modus: 100–0%
32	Feines Weiß 4		000 ⇔ 255	RGBW-Modus: 0–100% / CMY-Modus: 100–0%
33	Rot 5	Cyan 5	000 ⇔ 255	RGBW-Modus: 0–100% / CMY-Modus: 100–0%
34	Feines rot 5	Feines Cyan 5	000 ⇔ 255	RGBW-Modus: 0–100% / CMY-Modus: 100–0%
35	Grün 5	Magenta 5	000 ⇔ 255	RGBW-Modus: 0–100% / CMY-Modus: 100–0%
36	Feines grün 5	Feines Magenta 5	000 ⇔ 255	RGBW-Modus: 0–100% / CMY-Modus: 100–0%
37	Blau 5	Gelb 5	000 ⇔ 255	RGBW-Modus: 0–100% / CMY-Modus: 100–0%
38	Feines blau 5	Feines Gelb 5	000 ⇔ 255	RGBW-Modus: 0–100% / CMY-Modus: 100–0%
39	Weiß 5		000 ⇔ 255	RGBW-Modus: 0–100% / CMY-Modus: 100–0%
40	Feines Weiß 5		000 ⇔ 255	RGBW-Modus: 0–100% / CMY-Modus: 100–0%
41	Rot 6	Cyan 6	000 ⇔ 255	RGBW-Modus: 0–100% / CMY-Modus: 100–0%
42	Feines rot 6	Feines Cyan 6	000 ⇔ 255	RGBW-Modus: 0–100% / CMY-Modus: 100–0%
43	Grün 6	Magenta 6	000 ⇔ 255	RGBW-Modus: 0–100% / CMY-Modus: 100–0%
44	Feines grün 6	Feines Magenta 6	000 ⇔ 255	RGBW-Modus: 0–100% / CMY-Modus: 100–0%
45	Blau 6	Gelb 6	000 ⇔ 255	RGBW-Modus: 0–100% / CMY-Modus: 100–0%
46	Feines blau 6	Feines Gelb 6	000 ⇔ 255	RGBW-Modus: 0–100% / CMY-Modus: 100–0%
47	Weiß 6		000 ⇔ 255	RGBW-Modus: 0–100% / CMY-Modus: 100–0%
48	Feines Weiß 6		000 ⇔ 255	RGBW-Modus: 0–100% / CMY-Modus: 100–0%
49	Rot 7	Cyan 7	000 ⇔ 255	RGBW-Modus: 0–100% / CMY-Modus: 100–0%
50	Feines rot 7	Feines Cyan 7	000 ⇔ 255	RGBW-Modus: 0–100% / CMY-Modus: 100–0%

Kanal	Funktion		Wert	Prozent/Einstellung
51	Grün 7	Magenta 7	000 ⇔ 255	RGBW-Modus: 0–100% / CMY-Modus: 100–0%
52	Feines grün 7	Feines Magenta 7	000 ⇔ 255	RGBW-Modus: 0–100% / CMY-Modus: 100–0%
53	Blau 7	Gelb 7	000 ⇔ 255	RGBW-Modus: 0–100% / CMY-Modus: 100–0%
54	Feines blau 7	Feines Gelb 7	000 ⇔ 255	RGBW-Modus: 0–100% / CMY-Modus: 100–0%
55	Weiß 7		000 ⇔ 255	RGBW-Modus: 0–100% / CMY-Modus: 100–0%
56	Feines Weiß 7		000 ⇔ 255	RGBW-Modus: 0–100% / CMY-Modus: 100–0%
57	Rot 8	Cyan 8	000 ⇔ 255	RGBW-Modus: 0–100% / CMY-Modus: 100–0%
58	Feines rot 8	Feines Cyan 8	000 ⇔ 255	RGBW-Modus: 0–100% / CMY-Modus: 100–0%
59	Grün 8	Magenta 8	000 ⇔ 255	RGBW-Modus: 0–100% / CMY-Modus: 100–0%
60	Feines grün 8	Feines Magenta 8	000 ⇔ 255	RGBW-Modus: 0–100% / CMY-Modus: 100–0%
61	Blau 8	Gelb 8	000 ⇔ 255	RGBW-Modus: 0–100% / CMY-Modus: 100–0%
62	Feines blau 8	Feines Gelb 8	000 ⇔ 255	RGBW-Modus: 0–100% / CMY-Modus: 100–0%
63	Weiß 8		000 ⇔ 255	RGBW-Modus: 0–100% / CMY-Modus: 100–0%
64	Feines Weiß 8		000 ⇔ 255	RGBW-Modus: 0–100% / CMY-Modus: 100–0%

Dual Control LED: Standardmodus (32CH)

Kanal	Funktion		Wert	Prozent/Einstellung
1	Rot 1	Cyan 1	000 ⇔ 255	RGBW-Modus: 0–100% / CMY-Modus: 100–0%
2	Grün 1	Magenta 1	000 ⇔ 255	RGBW-Modus: 0–100% / CMY-Modus: 100–0%
3	Blau 1	Gelb 1	000 ⇔ 255	RGBW-Modus: 0–100% / CMY-Modus: 100–0%
4	Weiß 1		000 ⇔ 255	RGBW-Modus: 0–100% / CMY-Modus: 100–0%
5	Rot 2	Cyan 2	000 ⇔ 255	RGBW-Modus: 0–100% / CMY-Modus: 100–0%
6	Grün 2	Magenta 2	000 ⇔ 255	RGBW-Modus: 0–100% / CMY-Modus: 100–0%
7	Blau 2	Gelb 2	000 ⇔ 255	RGBW-Modus: 0–100% / CMY-Modus: 100–0%
8	Weiß 2		000 ⇔ 255	RGBW-Modus: 0–100% / CMY-Modus: 100–0%
9	Rot 3	Cyan 3	000 ⇔ 255	RGBW-Modus: 0–100% / CMY-Modus: 100–0%
10	Grün 3	Magenta 3	000 ⇔ 255	RGBW-Modus: 0–100% / CMY-Modus: 100–0%
11	Blau 3	Gelb 3	000 ⇔ 255	RGBW-Modus: 0–100% / CMY-Modus: 100–0%
12	Weiß 3		000 ⇔ 255	RGBW-Modus: 0–100% / CMY-Modus: 100–0%
13	Rot 4	Cyan 4	000 ⇔ 255	RGBW-Modus: 0–100% / CMY-Modus: 100–0%
14	Grün 4	Magenta 4	000 ⇔ 255	RGBW-Modus: 0–100% / CMY-Modus: 100–0%
15	Blau 4	Gelb 4	000 ⇔ 255	RGBW-Modus: 0–100% / CMY-Modus: 100–0%
16	Weiß 4		000 ⇔ 255	RGBW-Modus: 0–100% / CMY-Modus: 100–0%
17	Rot 5	Cyan 5	000 ⇔ 255	RGBW-Modus: 0–100% / CMY-Modus: 100–0%
18	Grün 5	Magenta 5	000 ⇔ 255	RGBW-Modus: 0–100% / CMY-Modus: 100–0%
19	Blau 5	Gelb 5	000 ⇔ 255	RGBW-Modus: 0–100% / CMY-Modus: 100–0%
20	Weiß 5		000 ⇔ 255	RGBW-Modus: 0–100% / CMY-Modus: 100–0%
21	Rot 6	Cyan 6	000 ⇔ 255	RGBW-Modus: 0–100% / CMY-Modus: 100–0%
22	Grün 6	Magenta 6	000 ⇔ 255	RGBW-Modus: 0–100% / CMY-Modus: 100–0%
23	Blau 6	Gelb 6	000 ⇔ 255	RGBW-Modus: 0–100% / CMY-Modus: 100–0%
24	Weiß 6		000 ⇔ 255	RGBW-Modus: 0–100% / CMY-Modus: 100–0%
25	Rot 7	Cyan 7	000 ⇔ 255	RGBW-Modus: 0–100% / CMY-Modus: 100–0%
26	Grün 7	Magenta 7	000 ⇔ 255	RGBW-Modus: 0–100% / CMY-Modus: 100–0%
27	Blau 7	Gelb 7	000 ⇔ 255	RGBW-Modus: 0–100% / CMY-Modus: 100–0%
28	Weiß 7		000 ⇔ 255	RGBW-Modus: 0–100% / CMY-Modus: 100–0%
29	Rot 8	Cyan 8	000 ⇔ 255	RGBW-Modus: 0–100% / CMY-Modus: 100–0%
30	Grün 8	Magenta 8	000 ⇔ 255	RGBW-Modus: 0–100% / CMY-Modus: 100–0%
31	Blau 8	Gelb 8	000 ⇔ 255	RGBW-Modus: 0–100% / CMY-Modus: 100–0%
32	Weiß 8		000 ⇔ 255	RGBW-Modus: 0–100% / CMY-Modus: 100–0%

Dual Control LED: Basic-modus (24CH)

Kanal	Funktion		Wert	Prozent/Einstellung
1	Rot 1	Cyan 1	000 ⇔ 255	RGBW-Modus: 0–100% / CMY-Modus: 100–0%
2	Grün 1	Magenta 1	000 ⇔ 255	RGBW-Modus: 0–100% / CMY-Modus: 100–0%
3	Blau 1	Gelb 1	000 ⇔ 255	RGBW-Modus: 0–100% / CMY-Modus: 100–0%
4	Rot 2	Cyan 2	000 ⇔ 255	RGBW-Modus: 0–100% / CMY-Modus: 100–0%
5	Grün 2	Magenta 2	000 ⇔ 255	RGBW-Modus: 0–100% / CMY-Modus: 100–0%
6	Blau 2	Gelb 2	000 ⇔ 255	RGBW-Modus: 0–100% / CMY-Modus: 100–0%
7	Rot 3	Cyan 3	000 ⇔ 255	RGBW-Modus: 0–100% / CMY-Modus: 100–0%
8	Grün 3	Magenta 3	000 ⇔ 255	RGBW-Modus: 0–100% / CMY-Modus: 100–0%
9	Blau 3	Gelb 3	000 ⇔ 255	RGBW-Modus: 0–100% / CMY-Modus: 100–0%
10	Rot 4	Cyan 4	000 ⇔ 255	RGBW-Modus: 0–100% / CMY-Modus: 100–0%
11	Grün 4	Magenta 4	000 ⇔ 255	RGBW-Modus: 0–100% / CMY-Modus: 100–0%
12	Blau 4	Gelb 4	000 ⇔ 255	RGBW-Modus: 0–100% / CMY-Modus: 100–0%
13	Rot 5	Cyan 5	000 ⇔ 255	RGBW-Modus: 0–100% / CMY-Modus: 100–0%
14	Grün 5	Magenta 5	000 ⇔ 255	RGBW-Modus: 0–100% / CMY-Modus: 100–0%
15	Blau 5	Gelb 5	000 ⇔ 255	RGBW-Modus: 0–100% / CMY-Modus: 100–0%
16	Rot 6	Cyan 6	000 ⇔ 255	RGBW-Modus: 0–100% / CMY-Modus: 100–0%
17	Grün 6	Magenta 6	000 ⇔ 255	RGBW-Modus: 0–100% / CMY-Modus: 100–0%
18	Blau 6	Gelb 6	000 ⇔ 255	RGBW-Modus: 0–100% / CMY-Modus: 100–0%
19	Rot 7	Cyan 7	000 ⇔ 255	RGBW-Modus: 0–100% / CMY-Modus: 100–0%
20	Grün 7	Magenta 7	000 ⇔ 255	RGBW-Modus: 0–100% / CMY-Modus: 100–0%
21	Blau 7	Gelb 7	000 ⇔ 255	RGBW-Modus: 0–100% / CMY-Modus: 100–0%
22	Rot 8	Cyan 8	000 ⇔ 255	RGBW-Modus: 0–100% / CMY-Modus: 100–0%
23	Grün 8	Magenta 8	000 ⇔ 255	RGBW-Modus: 0–100% / CMY-Modus: 100–0%
24	Blau 8	Gelb 8	000 ⇔ 255	RGBW-Modus: 0–100% / CMY-Modus: 100–0%

Farbkarte

Wert	Prozent/Einstellung				
000	Kein Funktion				
001 ⇔ 002	Weiß 2700K	R = 156	G = 118	B = 0	W = 63
003 ⇔ 004	Weiß 3200K	R = 156	G = 141	B = 5	W = 89
005 ⇔ 006	Weiß 4200K	R = 156	G = 141	B = 14	W = 255
007 ⇔ 008	Weiß 5600K	R = 156	G = 207	B = 54	W = 255
009 ⇔ 010	Weiß 8000K	R = 130	G = 255	B = 96	W = 255
011	Blau	R = 0	G = 0	B = 255	W = 0
012 ⇔ 048	+ Grün	R = 0	G = 0–255	B = 255	W = 0
049	Cyan	R = 0	G = 255	B = 255	W = 0
050 ⇔ 086	- Blau	R = 0	G = 255	B = 255–0	W = 0
087	Grün	R = 0	G = 255	B = 0	W = 0
088 ⇔ 124	+ Rot	R = 0–255	G = 255	B = 0	W = 0
125	Yellow	R = 255	G = 255	B = 0	W = 0
126 ⇔ 162	- Grün	R = 255	G = 255–0	B = 0	W = 0
163	Rot	R = 255	G = 0	B = 0	W = 0
164 ⇔ 200	+ Blau	R = 255	G = 0	B = 0–255	W = 0
201	Magenta	R = 255	G = 0	B = 255	W = 0
202 ⇔ 238	- Rot	R = 255–0	G = 0	B = 255	W = 0
239	Blau	R = 0	G = 0	B = 255	W = 0
240 ⇔ 247	Farbe verblassen, schnell bis langsam				
248 ⇔ 255	Farbschnappschuss, schnell bis langsam				

Blitzeinstellungen

Wert	Prozent/Einstellung	Wert	Prozent/Einstellung
000 ⇔ 019	Aus	145 ⇔ 149	An
020 ⇔ 024	An	150 ⇔ 164	Zufalls-Strobe 0–100%, von schnell nach langsam
025 ⇔ 064	Strobe, von schnell nach langsam	165 ⇔ 169	An
065 ⇔ 069	An	170 ⇔ 184	Pulse-Strobe, von schnell nach langsam
070 ⇔ 084	Strobe 100–0%, von schnell nach langsam	185 ⇔ 189	An
085 ⇔ 089	An	190 ⇔ 204	Zufalls-Pulse-Strobe, von schnell nach langsam
090 ⇔ 104	Strobe 0–100%, von schnell nach langsam	205 ⇔ 209	An
105 ⇔ 109	An	210 ⇔ 224	Strobe 0–100–0%, von schnell nach langsam
110 ⇔ 124	Zufalls-Strobe, von schnell nach langsam	225 ⇔ 229	An
125 ⇔ 129	An	230 ⇔ 244	Zufalls-Pulse-Strobe, von schnell nach langsam
130 ⇔ 144	Zufalls-Strobe 100–0%, von schnell nach langsam	245 ⇔ 255	An

Steuerungseinstellungen

Wert	Prozent/Einstellung	Wert	Prozent/Einstellung
000 ⇔ 009	Kein Funktion	095 ⇔ 099	Reserviert für zukünftige Verwendung
010 ⇔ 014	Blackout bei Neigen	100 ⇔ 104	Tilt reverse deaktivieren
015 ⇔ 019	Reserviert für zukünftige Verwendung	105 ⇔ 119	Reserviert für zukünftige Verwendung
020 ⇔ 024	RGBW-Farbmischmodus (additiv)	120 ⇔ 124	Langsamer Lüftermodus
025 ⇔ 029	CMY-Farbmischmodus (subtraktiv)	125 ⇔ 129	Voller Lüftermodus
030 ⇔ 039	Reserviert für zukünftige Verwendung	130 ⇔ 134	Automatischer Lüftermodus
040 ⇔ 044	Lüfter auftauen	135 ⇔ 139	Schneller Dimmmodus
045 ⇔ 049	Lüfter abtauen	140 ⇔ 144	Langsamer Dimmmodus
050 ⇔ 054	Reserviert für zukünftige Verwendung	145 ⇔ 149	Linear
055 ⇔ 059	Neigungsrücksetzung	150 ⇔ 154	Square
060 ⇔ 064	Zoom zurückgesetzt	155 ⇔ 159	i Squa
065 ⇔ 069	Reserviert für zukünftige Verwendung	160 ⇔ 164	SCurve
070 ⇔ 074	Alles zurücksetzen	165 ⇔ 169	Weißmodus
075 ⇔ 089	Reserviert für zukünftige Verwendung	170 ⇔ 174	Vollmodus
090 ⇔ 094	Tilt reverse	175 ⇔ 255	Reserviert für zukünftige Verwendung

Muster

1	○●●●●●●●	44	●○○○●●●●	87	●●○○●○○●	130	●○○○●○○●	173	○●○○○●●●
2	●○○●●●●●	45	●○○○●●●●	88	●●○○●○○○	131	●○○○●○○●	174	○●○○○●●○
3	●●○○●●●●	46	●○○○●●○○●	89	●●○○●●○○	132	●○○○●○○○	175	○●●○○○○●
4	●●●○○●●●	47	●○○○●●○○○	90	●●●○○○○●	133	●○○○●○○●	176	○●●○○○○○
5	●●●●○○●●	48	●○○○●●●○○	91	●●●○○○○○	134	●○○○●○○○	177	○○●●○○○●
6	●●●●●○○●	49	●●○○○○●●●	92	●●●○○○○○	135	●○○○●○○○	178	○○●●○○○○
7	●●●●●●○○	50	●●○○●○○●●	93	●●●○○○○○	136	●○○○●○○○	179	○○●●●○○○
8	●●●●●●○○	51	●●○○●○○○●	94	○○○○●●●●●	137	●○○○●○○○	180	○○○●○○●●
9	○○○○○○○○	52	●●○○●●●○○	95	○○○●○○●●●	138	●○○○●●●○○	181	○○○●○○●●
10	○○●●●●●●	53	●●●○○○○●●	96	○○○●○○●●●	139	●○○○○○○●●	182	○○○●○○●○
11	○●○○●●●●	54	●●●○○○○○●	97	○○○●○○●●●	140	●○○○○○○○●	183	○○○●○○●○
12	○●○○●●●●	55	●●●○○○○○○	98	○○○●○○●○○	141	●○○○○○○○●	184	○○○●○○●○
13	○●●●○○●●	56	●●●●○○○○●	99	○○●○○○○●●	142	●○○○○○○○●	185	○○○●●●○○
14	○●●●○○●●	57	●●●●○○○○○	100	○○○●○○●●●	143	●○○○○○○○●	186	○○○○●○○●
15	○●●●○○○○	58	●●●●○○○○○	101	○○○●○○●○○	144	●○○○○○○○●	187	○○○○●○○●
16	○●●●○○○○	59	○○○○●●●●●	102	○○○●○○●○○	145	●○○○○○○○●	188	○○○○●○○○
17	●○○●●●●●	60	○○○●○○●●●	103	○○○●○○●●●	146	●○○○○○○○●	189	●○○○○○○●
18	●○○●○○●●	61	○○○●○○●●●	104	○○○●○○●○○	147	●○○○○○○○●	190	●○○○○○○○
19	●○○●○○●●	62	○○○●○○●○○	105	○○○●○○●○○	148	●●○○○○○○●	191	●○○●○○○○
20	●○○●○○●●	63	○○○●○○●○○	106	○○○●○○●○○	149	●●○○○○○○●	192	●○○●○○○○
21	●○○●○○○○	64	○○○●○○●○○	107	○○○●○○●○○	150	●●○○○○○○○	193	●○○●○○○○
22	●○○●○○○○	65	○○○●○○●○○	108	○○○●○○●○○	151	●●○○○○○○○	194	●○○●○○○○
23	●●○○●●●●	66	○○○●○○●○○	109	○○○●○○●○○	152	●●○○○○○○○	195	●●○○○○○○○
24	●●○○●●●●	67	○○○●○○●○○	110	○○○●○○●○○	153	●●○○○○○○○	196	●●○○○○○○○
25	●●○○●●○○	68	○○○●○○●○○	111	○○○●○○●○○	154	●●○○○○○○○	197	○○○○○○●●
26	●●○○●●○○	69	○○○●○○●○○	112	○○○●○○●○○	155	●●○○○○○○○	198	○○○○○○●●
27	●●○○●●○○	70	○○○●○○●○○	113	○○○●○○●○○	156	●●○○○○○○○	199	○○○○○○●○
28	●●○○●●○○	71	○○○●○○●○○	114	○○○●○○●○○	157	●●○○○○○○○	200	●○○○○○○○
29	●●○○●○○○	72	○○○●○○●○○	115	○○○●○○●○○	158	●●○○○○○○○	201	●○○○○○○○
30	●●○○●○○○	73	○○○●○○●○○	116	○○○●○○●○○	159	●●○○○○○○○	202	●○○○○○○○
31	●●○○●○○○	74	●○○○○●●●●	117	○○○●○○●○○	160	●●○○○○○○○	203	●○○○○○○○
32	●●●●○○●●	75	●○○○○●○○●	118	○○○●○○●○○	161	●●○○○○○○○	204	○●○○○○○○●
33	●●●●○○●●	76	●○○○○●○○○	119	○○○●○○●○○	162	○○○○○○●●●	205	○●○○○○○○○
34	●●●●○○○○	77	●○○○○●○○○	120	○○○●○○●○○	163	○○○○○○●●●	206	○●●○○○○○
35	●●●●○○○○	78	●○○○○●○○○	121	○○○●○○●○○	164	○○○○○○●●●	207	●○○○○○○○
36	●●●●○○○○	79	●○○○○●○○○	122	○○○●○○●○○	165	○○○○○○●○○	208	○○○○○○●●
37	●●●●○○○○	80	●○○○○●○○○	123	○○○●○○●○○	166	●○○○○○○●●	209	○○○○○○●○
38	○○○●●●●●	81	●○○○○●○○○	124	○○○●○○●○○	167	●○○○○○○●●	210	○○○○○○●○
39	○○○●○○●●	82	●○○○○●○○○	125	○○○●○○●○○	168	●○○○○○○●○	211	○○○○○○○●
40	○○○●○○●●	83	●○○○○●○○○	126	○○○●○○●○○	169	●●○○○○○○○	212	○○○●○○○○
41	○○○●○○●●	84	●●○○○○○○●	127	○○○●○○●○○	170	●●○○○○○○○	213	○○●○○○○○
42	○○○●○○●●	85	●●○○○○○○○	128	○○○●○○●○○	171	●●○○○○○○○	214	○●○○○○○○○
43	○○○●●●●○	86	●●○○○○○○○	129	●○○○○●●●●	172	○●○○○○○○●	215	●○○○○○○○

Over deze handleiding

De COLORado PXL Bar 8 Beknopte Handleiding (BH) bevat basisinformatie over het product, zoals aansluiting, montage, menu-opties en DMX-waarden. Download de gebruikershandleiding op www.chauvetprofessional.com voor meer informatie.

Disclaimer

De informatie en specificaties in deze BH kunnen zonder voorafgaande kennisgeving worden gewijzigd.

BEPERKTE GARANTIE

GA NAAR ONZE WEBSITE VOOR REGISTRATIE VAN DE GARANTIE EN DE VOLLEDIGE ALGEMENE VOORWAARDEN.

Voor klanten in de Verenigde Staten en Mexico: www.chauvetlighting.com/warranty-registration.

Voor klanten in het Verenigd Koninkrijk, Ierland, België, Nederland, Luxemburg, Frankrijk en Duitsland: www.chauvetlighting.eu/warranty-registration.

Chauvet garandeert dat dit product bij normaal gebruik vrij zal blijven van defecten in materiaal en vakmanschap, voor de opgegeven periode en onder voorbehoud van de uitzonderingen en beperkingen die zijn uiteengezet in de volledige beperkte garantie op onze website. Deze garantie geldt uitsluitend voor de oorspronkelijke koper van het product en is niet overdraagbaar. Om onder deze garantie rechten uit te oefenen, moet u een aankoopbewijs overleggen in de vorm van een origineel verkoopbewijs van een geautoriseerde dealer, waarop de naam van het product en de aankoopdatum zichtbaar zijn. ER ZIJN GEEN ANDERE EXPLICIETE OF IMPLICIETE GARANTIES. Deze garantie geeft u specifieke wettelijke rechten. Mogelijk heeft u ook andere rechten die van staat tot staat en van land tot land verschillen. Deze garantie is uitsluitend geldig in de Verenigde Staten, het Verenigd Koninkrijk, Ierland, België, Nederland, Luxemburg, Frankrijk, Duitsland en Mexico. Neem contact op met uw lokale verkoper voor garantievoorwaarden in andere landen.

Veiligheidsinstructies

- Open het product NIET. Het bevat geen te onderhouden onderdelen.
- Om onnodige slijtage te elimineren en zijn levensduur te verlengen, gedurende perioden wanneer het product niet wordt gebruikt, moet u het product van de stroom afsluiten door een aardlekschakelaar om te zetten of door het te ontkoppelen.
- Gebruik dit product NIET als de behuizing, lenzen of kabels beschadigd lijken.
- Sluit dit product NIET aan op een dimmer of een regelweerstand.
- KLIJK NIET in de lichtbron wanneer het apparaat is ingeschakeld.
- Dit product NIET onderdompelen (IP65). Tijdelijk gebruik buitenshuis is prima.
- Niet voor permanente buiteninstallatie in locaties met extreme weersomstandigheden. Dit is met inbegrip van, maar niet beperkt tot:
 - Blootstelling aan een marien/zout milieu (binnen 5 km van zout water).
 - Waar de gebruikelijke hoge of lage temperaturen van de locatie de temperatuurbereiken in deze handleiding overschrijden.
 - Locaties die kunnen overstromen of onder sneeuw begraven kunnen worden.
 - Andere gebieden waar het product blootstaat aan extreme straling of bijtende substanties.
- LET OP: De behuizing van dit product kan heet zijn wanneer het in bedrijf is.
- LET OP: Bij het verplaatsen van het product uit extreme omgevingen, (bijv. koude vrachtwagen naar warme, vochtige balzaal) kan er condensvorming optreden op de elektronica van het product. Om storingen te vermijden moet het product volledig kunnen acclimatiseren aan de omgeving voordat het op stroom wordt aangesloten.
- GEBRUIK een veiligheidskabel bij het boven het hoofd plaatsen van dit product.
- Sluit dit product UITSLUITEND op een geaard en beveiligd stroomcircuit.
- Gebruik UITSLUITEND de ophang-/montagebeugel om dit product te dragen.
- Plaats geen ontvlambaar materiaal binnen 20 cm van dit product als het in gebruik is of is aangesloten op het stopcontact.
- Monteer dit product op een plek met voldoende ventilatie, ten minste 20 cm van de aangrenzende oppervlakken.
- Stop in het geval van ernstige operationele problemen onmiddellijk met het gebruik.
- De maximale omgevingstemperatuur bedraagt 45 °C. Gebruik dit product niet bij hogere temperaturen.
- De armatuur moet zodanig geplaatst worden dat langdurig staren in de armatuur op een afstand van minder dan 3,0 m voorkomen wordt.
- Als de externe flexibele kabel of het snoer van deze armatuur beschadigd is, moet deze worden vervangen door een speciaal snoer of een snoer dat uitsluitend beschikbaar is bij de fabrikant of zijn onderhoudsagent.
- De lichtbron die in deze armatuur omvat is mag alleen vervangen worden door de fabrikant, of diens onderhoudsagent of een soortgelijk erkend persoon.
- De armatuur is uitsluitend bedoeld voor professioneel gebruik.

FCC-naleving

Dit apparaat voldoet aan Part 15 Part B van de FCC-regels. Het gebruik is onderworpen aan de volgende twee voorwaarden:

1. Dit apparaat mag geen schadelijke interferentie veroorzaken, en
2. Dit apparaat moet enige ontvangen interferentie accepteren, inclusief interferentie die een ongewenste werking kan veroorzaken.

Eventuele wijzigingen of aanpassingen die niet uitdrukkelijk door de voor naleving verantwoordelijke partij zijn goedgekeurd, kan de bevoegdheid van de gebruiker om de apparatuur te bedienen ongeldig verklaren.

Contact

Van buiten de VS, Verenigd Koninkrijk, Ierland, Benelux, Frankrijk, Duitsland of Mexico kunt u contact opnemen met de distributeur of om ondersteuning vragen dan wel het product retourneren. Raadpleeg [Contact Us](#) aan het einde van deze BH voor contactinformatie.

Wat is inbegrepen

- COLORado PXL Bar 8
- Omega-beugel
- Seetronic Powerkon IP65 stroomsnoer
- Beknopte handleiding

AC-stroom

Dit product heeft een voeding met automatisch bereik die werkt met een ingangsspanning van 100–240 V~, 50/60 Hz.

Power Linking

Het is mogelijk tot maximaal 1 COLORado PXL Bar 8-producten koppelen aan 100 V, 3 producten aan 120 V, 5 producten aan 208 V, 6 producten aan 230 V of 6 producten aan 240 V. Overschrijd dit aantal nooit. Stroomkabels kunnen afzonderlijk worden gekocht.

AC-stekker

Aansluiting	Snoer (VS)	Snoer (Europa)	Schroefkleur
AC Live	Zwart	Bruin	Geel/messing
AC Neutraal	Wit	Blauw	Zilver
AC Aarde	Groen/geel	Groen/geel	Groen



Om onnodige slijtage te elimineren en zijn levensduur te verlengen, gedurende perioden wanneer het product niet wordt gebruikt, moet u het product van de stroom afsluiten door een aardlekschakelaar om te zetten of door het te ontkoppelen.

Signaalverbindingen

U kunt de COLORado PXL Bar 8 aansluiten op een controller of controllersoftware met behulp van een DMX-aansluiting, een ethernetverbinding of beide. Bij het gebruik van andere Art-Net™, sACN, of Kling-Net-compatible producten met de COLORado PXL Bar 8, kunt u deze individueel aansturen op een enkel netwerk. Zie de gebruikershandleiding voor meer informatie over het verbinden en configureren van het product voor deze signalen.

Aansturingspersoonlijkheden

De COLORado PXL Bar 8 gebruikt DMX, Art-Net™, sACN en Kling-Net voor zijn aansturingspersoonlijkheden:

Single Control	Dual Control Movement	Dual Control LED
Basic (19 kanalen)	Basic (7 kanalen)	Basic (24 kanalen)
Standard (51 kanalen)	Standard (19 kanalen)	Standard (32 kanalen)
Advanced (89 kanalen)	Advanced (25 kanalen)	Advanced (64 kanalen)
Tour (105 kanalen)	Gebruikt DMX, Art-Net™, of sACN	Gebruikt DMX, Art-Net™, sACN, of Kling-Net
Gebruikt DMX, Art-Net™, of sACN		



In "Dual Control"-modus kunnen het "Movement"-protocol en het "LED"-protocol niet hetzelfde zijn.

DMX-koppeling

De COLORado PXL Bar 8 kan met een DMX-controller werken met een 5-pins DMX seriële verbinding. Op www.chauvetprofessional.com is een DMX basishandleiding verkrijgbaar.

RDM (apparaatbeheer op afstand)

Remote Device Management of RDM (apparaatbeheer op afstand) is een standaard die het voor DMX-apparaten mogelijk maakt om in twee richtingen te communiceren over bestaande DMX-kabels. De COLORado PXL Bar 8 ondersteunt het RDM-protocol dat zorgt feedback toelaat bij de bewaking van wijzigingen aan de menu map-opties van. Download de gebruikershandleiding op www.chauvetprofessional.com voor meer informatie.

Art-Net™ aansluiting

Art-Net™ is een ethernet-protocol dat gebruikmaakt van TCP/IP dat over een groot netwerk grote hoeveelheden DMX512-gegevens verzendt met behulp van een Amphenol XLR Net RJ45-verbinding. Een Art-Net™-protocoldocument is te verkrijgen op www.chauvetprofessional.com. Chauvet Professional raadt het gebruik van unicast-modus voor het beste resultaat.

Art-Net™ ontworpen en auteursrecht door Artistic Licence Holdings Ltd.

sACN aansluiting

Streaming-ACN staat ook wel bekend als ANSI E1.31 en is een ethernetprotocol dat de laag- en opmaakstructuur gebruikt van Architecture for Control Networks om DMX512-gegevens te transporteren over IP of een ander ACN compatibel netwerk.

Kling-Net-aansluiting

Kling-Net is een networkprotocol dat de automatische configuratie van displayapparaten met een etherCON RJ45 Ethernet-verbinding mogelijk maakt. Raadpleeg de ArKaos softwarehandleiding voor uitgebreide instructies over het programmeren van dit product.



- Voor een goede werking heeft de ArKaos Kling-Net een gigabit (1000 Mbps) Ethernet-kaart en een netwerkrouter nodig.
- ArKaos Kling-Net loopt alleen in “Standard LED” of “Basic LED”-modi.

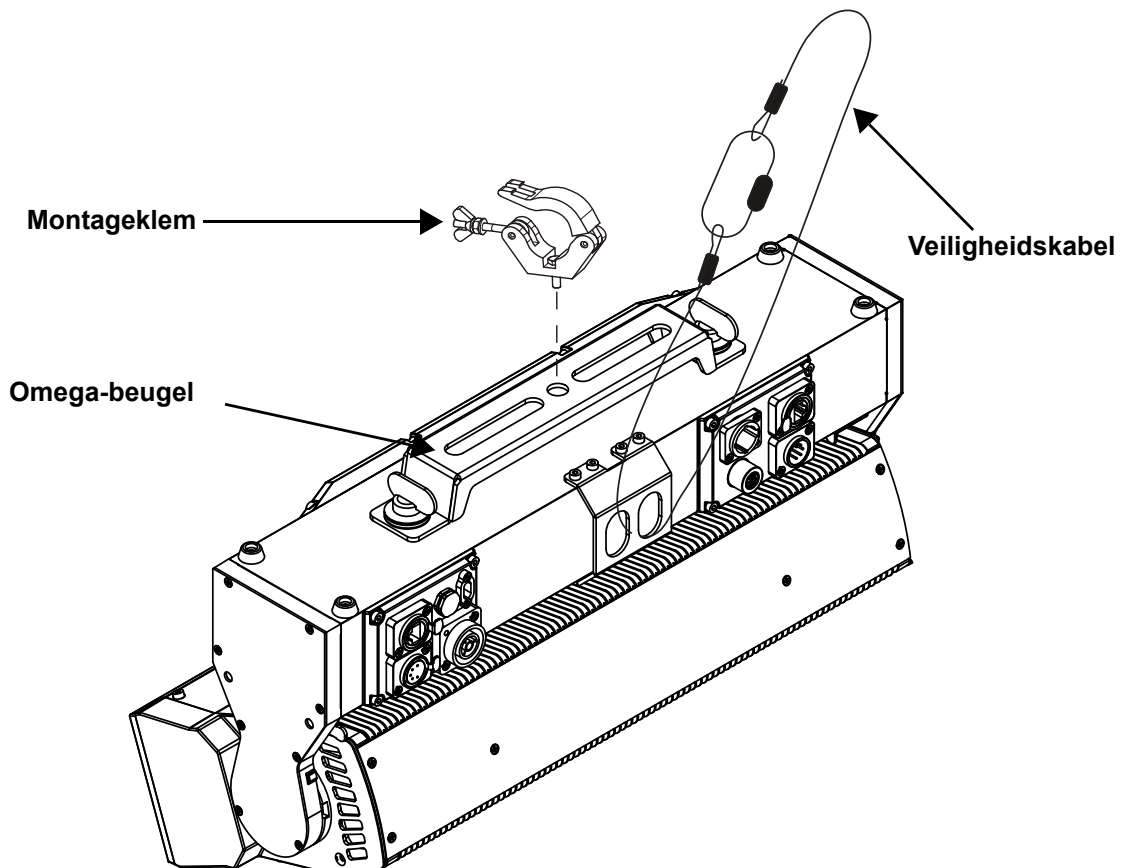
Master/slave-verbinding

De COLORado PXL Bar 8 maakt gebruik van de DMX-dataverbinding voor haar Master-/Slave-modus. Zie de gebruikershandleiding om te verbinden en te configureren voor Master/Slave-werking.

Montage

Lees alvorens dit product te monteren alle [Veiligheidsinstructies](#). Gebruik ten minste twee montagepunten per product. Controleer of de montageklem het gewicht van het product kan dragen. Ga voor onze Chauvet-serie montageklemmen naar <http://trusst.com/productcategory/truss-clamps/>.

Montagediagram van het product



Beschrijving bedieningspaneel

Toets	Functie
<MENU>	Sluit het huidige menu of functie af
<ENTER>	Activeert het huidige getoonde menu of plaatst de huidige geselecteerde waarde in de geselecteerde functie
<UP>	Navigeert omhoog via het menu of verhoogt de numerieke waarde wanneer in een functie
<DOWN>	Navigeert omlaag via het menu of verlaagt de numerieke waarde wanneer in een functie

Menupap

Raadpleeg de productpagina van COLORado PXL Bar 8 op www.chauvetprofessional.com voor de nieuwste menukaart.

Programmeerniveaus				Beschrijving			
Control Settings				Control Settings belangrijkste niveau			
Control Settings	Single Control	DMX	Personality	Basic	Stelt de DMX persoonlijkheid in (Zie Aansturingspersoonlijkheden)		
				Standard			
				Advanced			
		DMX	Start Address	Tour	0-512	Stelt het DMX startadres in	
				ArtNet	Personality	Basic	Stelt de Art-Net™ persoonlijkheid in (Zie Aansturingspersoonlijkheden)
						Standard	
		Advanced					
		ArtNet	Start Address	Tour	0-512	Stelt het Art-Net™ startadres in	
				ArtNet	Universe	0-255	Stelt de Art-Net™ universe in
	sACN					Personality	Basic
		Standard					
		Advanced					
	sACN	Start Address	Tour	0-512	Stelt het sACN startadres in		
			sACN	Universe	0-255	Stelt de sACN universe in	
					Dual Control	DMX	Personality
Standard							
Advanced							
DMX	Start Address	Tour	0-512	Stelt het DMX startadres in			
		ArtNet	Personality	Basic		Stelt de Art-Net™ persoonlijkheid in (Zie Aansturingspersoonlijkheden)	
				Standard			
Advanced							
ArtNet	Start Address	Tour	0-512	Stelt het Art-Net™ startadres in			
		ArtNet	Universe	0-255	Stelt de Art-Net™ universe in		
				sACN	Personality	Basic	Stelt de sACN persoonlijkheid in (Zie Aansturingspersoonlijkheden)
Standard							
Advanced							
sACN	Start Address	Tour	0-512	Stelt het sACN startadres in			
		sACN	Universe	0-255	Stelt de sACN universe in		
				LED	Personality	Basic	Stelt de DMX persoonlijkheid in (Zie Aansturingspersoonlijkheden)
Standard							
Advanced							
LED	Start Address	Tour	0-512	Stelt het Art-Net™ startadres in			
		LED	Universe	0-255	Stelt de Art-Net™ universe in		
				sACN	Personality	Basic	Stelt de sACN persoonlijkheid in (Zie Aansturingspersoonlijkheden)
Standard							
Advanced							
sACN	Start Address	Tour	0-512	Stelt het sACN startadres in			
		sACN	Universe	0-255	Stelt de sACN universe in		
				KlingNet	Personality	Basic	Stelt de Kling-Net persoonlijkheid in (Zie Aansturingspersoonlijkheden)
Standard							

Hoofdniveau	Programmeerniveaus		Beschrijving	
Run Mode	Auto Test		Test alle functies automatisch	
	Manual Test	Tilt	000–255	Test en regel alle instellingen handmatig via het bedieningspaneel
		P/T Speed		
		Red		
		Green		
		Blue		
		White		
		CTC		
		Color		
		Pattern		
		LED Macro		
		LED Ma. Speed		
		LED Ma. Fade		
		Background		
		Background Dim.		
Dimmer				
Shutter				
Function				
Zoom1				
Setup	Network Settings	IP Mode	Manual	Stel het IP-adres handmatig in
			DHCP	Netwerk stelt het IP-adres in
			Static	Product stelt het IP-adres in
		IP Byte 1–4	000–255	Stelt het IP-adres in handmatige modus in
			000–255	Stelt het Subnet Mask in handmatige modus in
	Tilt Reverse	OFF	Normale kantelbediening	
		ON	Omgekeerde kantelbediening	
	Zoom Reverse	OFF	Normale zoom	
		ON	Omgekeerde zoom	
	Screen Reverse	NO	Display in normale oriëntatie	
		YES	Display in ondersteboven oriëntatie	
		AUTO	Automatische oriëntatie van het display	
	Tilt Angle	200	200° kantelhoekbereik	
		180	180° kantelhoekbereik	
		60	60° kantelhoekbereik	
	BL. O. P/T Move	NO	Niet verduisteren tijdens zwenken	
		YES	Verduisteren tijdens zwenken	
	Backlight Timer	30S	Beeldscherm schakelt uit na 30 seconden	
		1M	Beeldscherm schakelt uit na 1 minuut	
		5M	Beeldscherm schakelt uit na 5 minuten	
		ON	Beeldscherm blijft aan	
	Loss of Data	Hold	Houdt laatst ontvangen signaal vast	
		Close	Verduistert de armatuur	
	Fans	Auto	Ventilatorsnelheid in overeenstemming met de producttemperatuur	
		Full	Ventilatorsnelheid op hoog ingesteld	
ECO		Stille modus		
Defrost Fan	OFF	Activeer de ontdooiventilator		
	ON	Schakel de ontdooiventilator uit		
C Mixing Mode	RGBW	Additief kleurenmengen (0–100%)		
	CMY	Subtractief kleurenmengen (100%–0)		
Dimmer Curve	Linear	Stelt de dimcurve in		
	Square			
	I Squa			
	SCurve			

Hoofdniveau	Programmeerniveaus		Beschrijving	
Setup	Dimmer Speed	Smooth	Wijzigt de dimsnelheid	
		Fast		
	PWM Option	600Hz	Selecteert de PWM-uitgangsfrequentie	
		1200Hz		
		2000Hz		
		4000Hz		
		6000Hz		
		15000Hz		
	Cell Order	1–8	Licht wordt van links naar rechts geactiveerd	
		8–1	Licht wordt van rechts naar links geactiveerd	
	Calibrated White	ON	Standaard lichtopbrengsttemperatuur ingesteld naar 7500K	
		OFF	Deactiveert gekalibreerd wit-instelling	
		Custom	Pas de temperatuur van de lichtuitvoer aan met behulp van de witbalansinstelling	
	White Balance	Red	000–255	Stelt maximum waarde van rode LED in
		Green		Stelt maximum waarde van groene LED in
		Blue		Stelt maximum waarde van blauwe LED in
		White		Stelt maximum waarde van witte LED in
	Preset Select	PRESET A	Opgenomen vooringestelde menuopties	
PRESET B				
PRESET C				
Preset Sync	NO	Zorgt ervoor dat opgenomen vooringestelde menuopties worden overgezet op andere COLORado PXL Bar 8 in de DMX-keten		
	YES			
USB Update	NO	Enables/disables updating by USB		
	YES			
Reset Function	Tilt	NO	Reset individuele functies of alle functies vanaf het opstarten	
		YES		
	Zoom	NO		
		YES		
	All	NO		
		YES		
Factory Settings	NO	Reset naar standaard fabrieksinstellingen		
	YES			
Information	Firmware Version		V_	Toont de firmwareversie
	Running Mode		---	Toont de huidige bedrijfsmodus
	Address		---	Toont het huidige startadres
	Temperature		---	Toont de huidige temperatuur van het product in °C
	Fixture Time		-----	Toont het aantal uren dat het product is ingeschakeld
	LED Hours		-----	Toont het totaal aantal uren dat de LED is ingeschakeld
	ArtNet Info	Ip	-----	Toont het huidige IP-adres
		SubMask	-----	Toont het huidige Subnet Mask
		MAC	-----	Toont het huidige MAC-adres
	Device UID		-----	Toont product-UID
	Fan Information	Head Fan 1–5	----	Toont de snelheid van kopventilator 1 tot kopventilator 5 in tpm
		Defrost Fan 1	----	Toont de snelheid van de ontdooiventilator in rpm
		Base Fan 1	----	Toont de snelheid van de basisventilator in tpm

DMX-waarden

Single Control: Tour-modus (105CH)

Kanaal	Functie	Waarde	Percentage/Instelling
1	Kantelen	000 ⇔ 255	0–100%
2	Fijnekantelen	000 ⇔ 255	0–100%
3	Kantelensnelheid	000 ⇔ 255	0–100%
4	CTC	000 001 ⇔ 255	Geen functie Kleurtemperatuur, 1900–2700 K
5	Kleur	000 ⇔ 255	zie Kleurenkaart
6	Patronen (zie Patronen)	000 001 ⇔ 215 216 ⇔ 255	Geen functie Patroon 1–215 Geen functie
7	LED macro	000 ⇔ 255	Zie LED Macro
8	LED macro snelheid	000 ⇔ 127 128 129 ⇔ 255	Kleurwijziging met de klok mee, snel tot langzaam Bevriezen Kleurwijziging tegen de klok in, langzaam tot snel
9	LED ingebouwde vertraging	000 ⇔ 255	Snel tot langzaam
10	Achtergrondkleur	000 ⇔ 255	zie Kleurenkaart
11	Achtergronddimmer	000 ⇔ 255	0–100%
12	Fijneachtergronddimmer	000 ⇔ 255	0–100%
13	Dimmer	000 ⇔ 255	0–100%
14	Fijnedimmer	000 ⇔ 255	0–100%
15	Stroboscoop	000 ⇔ 255	zie Stroboscoop instellingen
16	Zoom	000 ⇔ 255	Breed tot nauw
17	Regeling	000 ⇔ 255	zie Bedieningsinstellingen
18	Hoofdrood	000 ⇔ 255	RGBW-modus: 0–100% / CMY-modus: 100–0%
19	Fijnehoofdrood	000 ⇔ 255	RGBW-modus: 0–100% / CMY-modus: 100–0%
20	Hoofdgroen	000 ⇔ 255	RGBW-modus: 0–100% / CMY-modus: 100–0%
21	Fijnehoofdrood	000 ⇔ 255	RGBW-modus: 0–100% / CMY-modus: 100–0%
22	Hoofdblauw	000 ⇔ 255	RGBW-modus: 0–100% / CMY-modus: 100–0%
23	Fijnehoofdblauw	000 ⇔ 255	RGBW-modus: 0–100% / CMY-modus: 100–0%
24	Hoofdwit	000 ⇔ 255	RGBW-modus: 0–100% / CMY-modus: 100–0%
25	Fijnehoofdwit	000 ⇔ 255	RGBW-modus: 0–100% / CMY-modus: 100–0%
26	Dimmer 1	000 ⇔ 255	0–100%
27	Fijnedimmer 1	000 ⇔ 255	0–100%
28	Rood 1 Cyaan 1	000 ⇔ 255	RGBW-modus: 0–100% / CMY-modus: 100–0%
29	Fijnerood 1 Fijne Cyaan 1	000 ⇔ 255	RGBW-modus: 0–100% / CMY-modus: 100–0%
30	Groen 1 Magenta 1	000 ⇔ 255	RGBW-modus: 0–100% / CMY-modus: 100–0%
31	Fijnegroen 1 Fijne Magenta 1	000 ⇔ 255	RGBW-modus: 0–100% / CMY-modus: 100–0%
32	Blauw 1 Gelb 1	000 ⇔ 255	RGBW-modus: 0–100% / CMY-modus: 100–0%
33	Fijneblauw 1 Fijne Gelb 1	000 ⇔ 255	RGBW-modus: 0–100% / CMY-modus: 100–0%
34	Wit 1	000 ⇔ 255	RGBW-modus: 0–100% / CMY-modus: 100–0%
35	Fijnewit 1	000 ⇔ 255	RGBW-modus: 0–100% / CMY-modus: 100–0%
36	Dimmer 2	000 ⇔ 255	0–100%
37	Fijnedimmer 2	000 ⇔ 255	0–100%
38	Rood 2 Cyaan 2	000 ⇔ 255	RGBW-modus: 0–100% / CMY-modus: 100–0%
39	Fijnerood 2 Fijne Cyaan 2	000 ⇔ 255	RGBW-modus: 0–100% / CMY-modus: 100–0%
40	Groen 2 Magenta 2	000 ⇔ 255	RGBW-modus: 0–100% / CMY-modus: 100–0%
41	Fijnegroen 2 Fijne Magenta 2	000 ⇔ 255	RGBW-modus: 0–100% / CMY-modus: 100–0%
42	Blauw 2 Gelb 2	000 ⇔ 255	RGBW-modus: 0–100% / CMY-modus: 100–0%
43	Fijneblauw 2 Fijne Gelb 2	000 ⇔ 255	RGBW-modus: 0–100% / CMY-modus: 100–0%
44	Wit 2	000 ⇔ 255	RGBW-modus: 0–100% / CMY-modus: 100–0%

Kanaal	Functie	Waarde	Percentage/Instelling
45	Fijnewit 2	000 ⇔ 255	RGBW-modus: 0–100% / CMY-modus: 100–0%
46	Dimmer 3	000 ⇔ 255	0–100%
47	Fijnedimmer 3	000 ⇔ 255	0–100%
48	Rood 3 Cyaan 3	000 ⇔ 255	RGBW-modus: 0–100% / CMY-modus: 100–0%
49	Fijnerood 3 Fijne Cyaan 3	000 ⇔ 255	RGBW-modus: 0–100% / CMY-modus: 100–0%
50	Groen 3 Magenta 3	000 ⇔ 255	RGBW-modus: 0–100% / CMY-modus: 100–0%
51	Fijnegroen 3 Fijne Magenta 3	000 ⇔ 255	RGBW-modus: 0–100% / CMY-modus: 100–0%
52	Blauw 3 Gelb 3	000 ⇔ 255	RGBW-modus: 0–100% / CMY-modus: 100–0%
53	Fijneblauw 3 Fijne Gelb 3	000 ⇔ 255	RGBW-modus: 0–100% / CMY-modus: 100–0%
54	Wit 3	000 ⇔ 255	RGBW-modus: 0–100% / CMY-modus: 100–0%
55	Fijnewit 3	000 ⇔ 255	RGBW-modus: 0–100% / CMY-modus: 100–0%
56	Dimmer 4	000 ⇔ 255	0–100%
57	Fijnedimmer 4	000 ⇔ 255	0–100%
58	Rood 4 Cyaan 4	000 ⇔ 255	RGBW-modus: 0–100% / CMY-modus: 100–0%
59	Fijnerood 4 Fijne Cyaan 4	000 ⇔ 255	RGBW-modus: 0–100% / CMY-modus: 100–0%
60	Groen 4 Magenta 4	000 ⇔ 255	RGBW-modus: 0–100% / CMY-modus: 100–0%
61	Fijnegroen 4 Fijne Magenta 4	000 ⇔ 255	RGBW-modus: 0–100% / CMY-modus: 100–0%
62	Blauw 4 Gelb 4	000 ⇔ 255	RGBW-modus: 0–100% / CMY-modus: 100–0%
63	Fijneblauw 4 Fijne Gelb 4	000 ⇔ 255	RGBW-modus: 0–100% / CMY-modus: 100–0%
64	Wit 4	000 ⇔ 255	RGBW-modus: 0–100% / CMY-modus: 100–0%
65	Fijnewit 4	000 ⇔ 255	RGBW-modus: 0–100% / CMY-modus: 100–0%
66	Dimmer 5	000 ⇔ 255	0–100%
67	Fijnedimmer 5	000 ⇔ 255	0–100%
68	Rood 5 Cyaan 5	000 ⇔ 255	RGBW-modus: 0–100% / CMY-modus: 100–0%
69	Fijnerood 5 Fijne Cyaan 5	000 ⇔ 255	RGBW-modus: 0–100% / CMY-modus: 100–0%
70	Groen 5 Magenta 5	000 ⇔ 255	RGBW-modus: 0–100% / CMY-modus: 100–0%
71	Fijnegroen 5 Fijne Magenta 5	000 ⇔ 255	RGBW-modus: 0–100% / CMY-modus: 100–0%
72	Blauw 5 Gelb 5	000 ⇔ 255	RGBW-modus: 0–100% / CMY-modus: 100–0%
73	Fijneblauw 5 Fijne Gelb 5	000 ⇔ 255	RGBW-modus: 0–100% / CMY-modus: 100–0%
74	Wit 5	000 ⇔ 255	RGBW-modus: 0–100% / CMY-modus: 100–0%
75	Fijnewit 5	000 ⇔ 255	RGBW-modus: 0–100% / CMY-modus: 100–0%
76	Dimmer 6	000 ⇔ 255	0–100%
77	Fijnedimmer 6	000 ⇔ 255	0–100%
78	Rood 6 Cyaan 6	000 ⇔ 255	RGBW-modus: 0–100% / CMY-modus: 100–0%
79	Fijnerood 6 Fijne Cyaan 6	000 ⇔ 255	RGBW-modus: 0–100% / CMY-modus: 100–0%
80	Groen 6 Magenta 6	000 ⇔ 255	RGBW-modus: 0–100% / CMY-modus: 100–0%
81	Fijnegroen 6 Fijne Magenta 6	000 ⇔ 255	RGBW-modus: 0–100% / CMY-modus: 100–0%
82	Blauw 6 Gelb 6	000 ⇔ 255	RGBW-modus: 0–100% / CMY-modus: 100–0%
83	Fijneblauw 6 Fijne Gelb 6	000 ⇔ 255	RGBW-modus: 0–100% / CMY-modus: 100–0%
84	Wit 6	000 ⇔ 255	RGBW-modus: 0–100% / CMY-modus: 100–0%
85	Fijnewit 6	000 ⇔ 255	RGBW-modus: 0–100% / CMY-modus: 100–0%
86	Dimmer 7	000 ⇔ 255	0–100%
87	Fijnedimmer 7	000 ⇔ 255	0–100%
88	Rood 7 Cyaan 7	000 ⇔ 255	RGBW-modus: 0–100% / CMY-modus: 100–0%
89	Fijnerood 7 Fijne Cyaan 7	000 ⇔ 255	RGBW-modus: 0–100% / CMY-modus: 100–0%
90	Groen 7 Magenta 7	000 ⇔ 255	RGBW-modus: 0–100% / CMY-modus: 100–0%
91	Fijnegroen 7 Fijne Magenta 7	000 ⇔ 255	RGBW-modus: 0–100% / CMY-modus: 100–0%
92	Blauw 7 Gelb 7	000 ⇔ 255	RGBW-modus: 0–100% / CMY-modus: 100–0%
93	Fijneblauw 7 Fijne Gelb 7	000 ⇔ 255	RGBW-modus: 0–100% / CMY-modus: 100–0%
94	Wit 7	000 ⇔ 255	RGBW-modus: 0–100% / CMY-modus: 100–0%
95	Fijnewit 7	000 ⇔ 255	RGBW-modus: 0–100% / CMY-modus: 100–0%

Kanaal	Functie	Waarde	Percentage/Instelling
96	Dimmer 8	000 ⇔ 255	0–100%
97	Fijnedimmer 8	000 ⇔ 255	0–100%
98	Rood 8 Cyaan 8	000 ⇔ 255	RGBW-modus: 0–100% / CMY-modus: 100–0%
99	Fijnerood 8 Fijne Cyaan 8	000 ⇔ 255	RGBW-modus: 0–100% / CMY-modus: 100–0%
100	Groen 8 Magenta 8	000 ⇔ 255	RGBW-modus: 0–100% / CMY-modus: 100–0%
101	Fijnegroen 8 Fijne Magenta 8	000 ⇔ 255	RGBW-modus: 0–100% / CMY-modus: 100–0%
102	Blauw 8 Gelb 8	000 ⇔ 255	RGBW-modus: 0–100% / CMY-modus: 100–0%
103	Fijneblauw 8 Fijne Gelb 8	000 ⇔ 255	RGBW-modus: 0–100% / CMY-modus: 100–0%
104	Wit 8	000 ⇔ 255	RGBW-modus: 0–100% / CMY-modus: 100–0%
105	Fijnewit 8	000 ⇔ 255	RGBW-modus: 0–100% / CMY-modus: 100–0%

Single Control: Advanced-modus (89CH)

Kanaal	Functie	Waarde	Percentage/Instelling
1	Kantelen	000 ⇔ 255	0–100%
2	Fijnekantelen	000 ⇔ 255	0–100%
3	Kantelensnelheid	000 ⇔ 255	0–100%
4	CTC	000 001 ⇔ 255	Geen functie Kleurtemperatuur, 1900–2700 K
5	Kleur	000 ⇔ 255	zie Kleurenkaart
6	Patronen (zie Patronen)	000 001 ⇔ 215 216 ⇔ 255	Geen functie Patroon 1–215 Geen functie
7	LED macro	000 ⇔ 255	Zie LED Macro
8	LED macro snelheid	000 ⇔ 127 128 129 ⇔ 255	Kleurwijziging met de klok mee, snel tot langzaam Bevriezen Kleurwijziging tegen de klok in, langzaam tot snel
9	LED ingebouwde vertraging	000 ⇔ 255	Snel tot langzaam
10	Achtergrondkleur	000 ⇔ 255	zie Kleurenkaart
11	Achtergronddimmer	000 ⇔ 255	0–100%
12	Fijneachtergronddimmer	000 ⇔ 255	0–100%
13	Dimmer	000 ⇔ 255	0–100%
14	Fijnedimmer	000 ⇔ 255	0–100%
15	Stroboscoop	000 ⇔ 255	zie Stroboscoop instellingen
16	Zoom	000 ⇔ 255	Breed tot nauw
17	Regeling	000 ⇔ 255	zie Bedieningsinstellingen
18	Hoofdroid	000 ⇔ 255	RGBW-modus: 0–100% / CMY-modus: 100–0%
19	Fijnehoofdroid	000 ⇔ 255	RGBW-modus: 0–100% / CMY-modus: 100–0%
20	Hoofdgroen	000 ⇔ 255	RGBW-modus: 0–100% / CMY-modus: 100–0%
21	Fijnehoofdroid	000 ⇔ 255	RGBW-modus: 0–100% / CMY-modus: 100–0%
22	Hoofdblauw	000 ⇔ 255	RGBW-modus: 0–100% / CMY-modus: 100–0%
23	Fijnehoofdblauw	000 ⇔ 255	RGBW-modus: 0–100% / CMY-modus: 100–0%
24	Hoofdwit	000 ⇔ 255	RGBW-modus: 0–100% / CMY-modus: 100–0%
25	Fijnehoofdwit	000 ⇔ 255	RGBW-modus: 0–100% / CMY-modus: 100–0%
26	Rood 1 Cyaan 1	000 ⇔ 255	RGBW-modus: 0–100% / CMY-modus: 100–0%
27	Fijnerood 1 Fijne Cyaan 1	000 ⇔ 255	RGBW-modus: 0–100% / CMY-modus: 100–0%
28	Groen 1 Magenta 1	000 ⇔ 255	RGBW-modus: 0–100% / CMY-modus: 100–0%
29	Fijnegroen 1 Fijne Magenta 1	000 ⇔ 255	RGBW-modus: 0–100% / CMY-modus: 100–0%
30	Blauw 1 Gelb 1	000 ⇔ 255	RGBW-modus: 0–100% / CMY-modus: 100–0%
31	Fijneblauw 1 Fijne Gelb 1	000 ⇔ 255	RGBW-modus: 0–100% / CMY-modus: 100–0%
32	Wit 1	000 ⇔ 255	RGBW-modus: 0–100% / CMY-modus: 100–0%

Kanaal	Functie	Waarde	Percentage/Instelling
33	Fijnewit 1	000 ⇔ 255	RGBW-modus: 0–100% / CMY-modus: 100–0%
34	Rood 2 Cyaan 2	000 ⇔ 255	RGBW-modus: 0–100% / CMY-modus: 100–0%
35	Fijnerood 2 Fijne Cyaan 2	000 ⇔ 255	RGBW-modus: 0–100% / CMY-modus: 100–0%
36	Groen 2 Magenta 2	000 ⇔ 255	RGBW-modus: 0–100% / CMY-modus: 100–0%
37	Fijnegroen 2 Fijne Magenta 2	000 ⇔ 255	RGBW-modus: 0–100% / CMY-modus: 100–0%
38	Blauw 2 Gelb 2	000 ⇔ 255	RGBW-modus: 0–100% / CMY-modus: 100–0%
39	Fijneblauw 2 Fijne Gelb 2	000 ⇔ 255	RGBW-modus: 0–100% / CMY-modus: 100–0%
40	Wit 2	000 ⇔ 255	RGBW-modus: 0–100% / CMY-modus: 100–0%
41	Fijnewit 2	000 ⇔ 255	RGBW-modus: 0–100% / CMY-modus: 100–0%
42	Rood 3 Cyaan 3	000 ⇔ 255	RGBW-modus: 0–100% / CMY-modus: 100–0%
43	Fijnerood 3 Fijne Cyaan 3	000 ⇔ 255	RGBW-modus: 0–100% / CMY-modus: 100–0%
44	Groen 3 Magenta 3	000 ⇔ 255	RGBW-modus: 0–100% / CMY-modus: 100–0%
45	Fijnegroen 3 Fijne Magenta 3	000 ⇔ 255	RGBW-modus: 0–100% / CMY-modus: 100–0%
46	Blauw 3 Gelb 3	000 ⇔ 255	RGBW-modus: 0–100% / CMY-modus: 100–0%
47	Fijneblauw 3 Fijne Gelb 3	000 ⇔ 255	RGBW-modus: 0–100% / CMY-modus: 100–0%
48	Wit 3	000 ⇔ 255	RGBW-modus: 0–100% / CMY-modus: 100–0%
49	Fijnewit 3	000 ⇔ 255	RGBW-modus: 0–100% / CMY-modus: 100–0%
50	Rood 4 Cyaan 4	000 ⇔ 255	RGBW-modus: 0–100% / CMY-modus: 100–0%
51	Fijnerood 4 Fijne Cyaan 4	000 ⇔ 255	RGBW-modus: 0–100% / CMY-modus: 100–0%
52	Groen 4 Magenta 4	000 ⇔ 255	RGBW-modus: 0–100% / CMY-modus: 100–0%
53	Fijnegroen 4 Fijne Magenta 4	000 ⇔ 255	RGBW-modus: 0–100% / CMY-modus: 100–0%
54	Blauw 4 Gelb 4	000 ⇔ 255	RGBW-modus: 0–100% / CMY-modus: 100–0%
55	Fijneblauw 4 Fijne Gelb 4	000 ⇔ 255	RGBW-modus: 0–100% / CMY-modus: 100–0%
56	Wit 4	000 ⇔ 255	RGBW-modus: 0–100% / CMY-modus: 100–0%
57	Fijnewit 4	000 ⇔ 255	RGBW-modus: 0–100% / CMY-modus: 100–0%
58	Rood 5 Cyaan 5	000 ⇔ 255	RGBW-modus: 0–100% / CMY-modus: 100–0%
59	Fijnerood 5 Fijne Cyaan 5	000 ⇔ 255	RGBW-modus: 0–100% / CMY-modus: 100–0%
60	Groen 5 Magenta 5	000 ⇔ 255	RGBW-modus: 0–100% / CMY-modus: 100–0%
61	Fijnegroen 5 Fijne Magenta 5	000 ⇔ 255	RGBW-modus: 0–100% / CMY-modus: 100–0%
62	Blauw 5 Gelb 5	000 ⇔ 255	RGBW-modus: 0–100% / CMY-modus: 100–0%
63	Fijneblauw 5 Fijne Gelb 5	000 ⇔ 255	RGBW-modus: 0–100% / CMY-modus: 100–0%
64	Wit 5	000 ⇔ 255	RGBW-modus: 0–100% / CMY-modus: 100–0%
65	Fijnewit 5	000 ⇔ 255	RGBW-modus: 0–100% / CMY-modus: 100–0%
66	Rood 6 Cyaan 6	000 ⇔ 255	RGBW-modus: 0–100% / CMY-modus: 100–0%
67	Fijnerood 6 Fijne Cyaan 6	000 ⇔ 255	RGBW-modus: 0–100% / CMY-modus: 100–0%
68	Groen 6 Magenta 6	000 ⇔ 255	RGBW-modus: 0–100% / CMY-modus: 100–0%
69	Fijnegroen 6 Fijne Magenta 6	000 ⇔ 255	RGBW-modus: 0–100% / CMY-modus: 100–0%
70	Blauw 6 Gelb 6	000 ⇔ 255	RGBW-modus: 0–100% / CMY-modus: 100–0%
71	Fijneblauw 6 Fijne Gelb 6	000 ⇔ 255	RGBW-modus: 0–100% / CMY-modus: 100–0%
72	Wit 6	000 ⇔ 255	RGBW-modus: 0–100% / CMY-modus: 100–0%
73	Fijnewit 6	000 ⇔ 255	RGBW-modus: 0–100% / CMY-modus: 100–0%
74	Rood 7 Cyaan 7	000 ⇔ 255	RGBW-modus: 0–100% / CMY-modus: 100–0%
75	Fijnerood 7 Fijne Cyaan 7	000 ⇔ 255	RGBW-modus: 0–100% / CMY-modus: 100–0%
76	Groen 7 Magenta 7	000 ⇔ 255	RGBW-modus: 0–100% / CMY-modus: 100–0%
77	Fijnegroen 7 Fijne Magenta 7	000 ⇔ 255	RGBW-modus: 0–100% / CMY-modus: 100–0%
78	Blauw 7 Gelb 7	000 ⇔ 255	RGBW-modus: 0–100% / CMY-modus: 100–0%
79	Fijneblauw 7 Fijne Gelb 7	000 ⇔ 255	RGBW-modus: 0–100% / CMY-modus: 100–0%
80	Wit 7	000 ⇔ 255	RGBW-modus: 0–100% / CMY-modus: 100–0%
81	Fijnewit 7	000 ⇔ 255	RGBW-modus: 0–100% / CMY-modus: 100–0%
82	Rood 8 Cyaan 8	000 ⇔ 255	RGBW-modus: 0–100% / CMY-modus: 100–0%
83	Fijnerood 8 Fijne Cyaan 8	000 ⇔ 255	RGBW-modus: 0–100% / CMY-modus: 100–0%

Kanaal	Functie	Waarde	Percentage/Instelling
84	Groen 8 Magenta 8	000 ⇔ 255	RGBW-modus: 0–100% / CMY-modus: 100–0%
85	Fijnegroen 8 Fijne Magenta 8	000 ⇔ 255	RGBW-modus: 0–100% / CMY-modus: 100–0%
86	Blauw 8 Gelb 8	000 ⇔ 255	RGBW-modus: 0–100% / CMY-modus: 100–0%
87	Fijneblauw 8 Fijne Gelb 8	000 ⇔ 255	RGBW-modus: 0–100% / CMY-modus: 100–0%
88	Wit 8	000 ⇔ 255	RGBW-modus: 0–100% / CMY-modus: 100–0%
89	Fijnewit 8	000 ⇔ 255	RGBW-modus: 0–100% / CMY-modus: 100–0%

Single Control: Standard-modus (51CH)

Kanaal	Functie	Waarde	Percentage/Instelling
1	Kantelen	000 ⇔ 255	0–100%
2	Fijnekantelen	000 ⇔ 255	0–100%
3	Kantelensnelheid	000 ⇔ 255	0–100%
4	CTC	000 001 ⇔ 255	Geen functie Kleurtemperatuur, 1900–2700 K
5	Kleur	000 ⇔ 255	zie Kleurenkaart
6	Patronen (zie Patronen)	000 001 ⇔ 215 216 ⇔ 255	Geen functie Patroon 1–215 Geen functie
7	LED macro	000 ⇔ 255	Zie LED Macro
8	LED macro snelheid	000 ⇔ 127 128 129 ⇔ 255	Kleurwijziging met de klok mee, snel tot langzaam Bevriezen Kleurwijziging tegen de klok in, langzaam tot snel
9	LED ingebouwde vertraging	000 ⇔ 255	Snel tot langzaam
10	Achtergrondkleur	000 ⇔ 255	zie Kleurenkaart
11	Achtergronddimmer	000 ⇔ 255	0–100%
12	Dimmer	000 ⇔ 255	0–100%
13	Stroboscoop	000 ⇔ 255	zie Stroboscoop instellingen
14	Zoom	000 ⇔ 255	Breed tot nauw
15	Regeling	000 ⇔ 255	zie Bedieningsinstellingen
16	Hoofdrood	000 ⇔ 255	RGBW-modus: 0–100% / CMY-modus: 100–0%
17	Hoofdgroen	000 ⇔ 255	RGBW-modus: 0–100% / CMY-modus: 100–0%
18	Hoofdblauw	000 ⇔ 255	RGBW-modus: 0–100% / CMY-modus: 100–0%
19	Hoofdwit	000 ⇔ 255	RGBW-modus: 0–100% / CMY-modus: 100–0%
20	Rood 1 Cyaan 1	000 ⇔ 255	RGBW-modus: 0–100% / CMY-modus: 100–0%
21	Groen 1 Magenta 1	000 ⇔ 255	RGBW-modus: 0–100% / CMY-modus: 100–0%
22	Blauw 1 Gelb 1	000 ⇔ 255	RGBW-modus: 0–100% / CMY-modus: 100–0%
23	Wit 1	000 ⇔ 255	RGBW-modus: 0–100% / CMY-modus: 100–0%
24	Rood 2 Cyaan 2	000 ⇔ 255	RGBW-modus: 0–100% / CMY-modus: 100–0%
25	Groen 2 Magenta 2	000 ⇔ 255	RGBW-modus: 0–100% / CMY-modus: 100–0%
26	Blauw 2 Gelb 2	000 ⇔ 255	RGBW-modus: 0–100% / CMY-modus: 100–0%
27	Wit 2	000 ⇔ 255	RGBW-modus: 0–100% / CMY-modus: 100–0%
28	Rood 3 Cyaan 3	000 ⇔ 255	RGBW-modus: 0–100% / CMY-modus: 100–0%
29	Groen 3 Magenta 3	000 ⇔ 255	RGBW-modus: 0–100% / CMY-modus: 100–0%
30	Blauw 3 Gelb 3	000 ⇔ 255	RGBW-modus: 0–100% / CMY-modus: 100–0%
31	Wit 3	000 ⇔ 255	RGBW-modus: 0–100% / CMY-modus: 100–0%
32	Rood 4 Cyaan 4	000 ⇔ 255	RGBW-modus: 0–100% / CMY-modus: 100–0%
33	Groen 4 Magenta 4	000 ⇔ 255	RGBW-modus: 0–100% / CMY-modus: 100–0%
34	Blauw 4 Gelb 4	000 ⇔ 255	RGBW-modus: 0–100% / CMY-modus: 100–0%
35	Wit 4	000 ⇔ 255	RGBW-modus: 0–100% / CMY-modus: 100–0%
36	Rood 5 Cyaan 5	000 ⇔ 255	RGBW-modus: 0–100% / CMY-modus: 100–0%

Kanaal	Functie	Waarde	Percentage/Instelling
37	Groen 5 Magenta 5	000 ⇔ 255	RGBW-modus: 0–100% / CMY-modus: 100–0%
38	Blauw 5 Gelb 5	000 ⇔ 255	RGBW-modus: 0–100% / CMY-modus: 100–0%
39	Wit 5	000 ⇔ 255	RGBW-modus: 0–100% / CMY-modus: 100–0%
40	Rood 6 Cyaan 6	000 ⇔ 255	RGBW-modus: 0–100% / CMY-modus: 100–0%
41	Groen 6 Magenta 6	000 ⇔ 255	RGBW-modus: 0–100% / CMY-modus: 100–0%
42	Blauw 6 Gelb 6	000 ⇔ 255	RGBW-modus: 0–100% / CMY-modus: 100–0%
43	Wit 6	000 ⇔ 255	RGBW-modus: 0–100% / CMY-modus: 100–0%
44	Rood 7 Cyaan 7	000 ⇔ 255	RGBW-modus: 0–100% / CMY-modus: 100–0%
45	Groen 7 Magenta 7	000 ⇔ 255	RGBW-modus: 0–100% / CMY-modus: 100–0%
46	Blauw 7 Gelb 7	000 ⇔ 255	RGBW-modus: 0–100% / CMY-modus: 100–0%
47	Wit 7	000 ⇔ 255	RGBW-modus: 0–100% / CMY-modus: 100–0%
48	Rood 8 Cyaan 8	000 ⇔ 255	RGBW-modus: 0–100% / CMY-modus: 100–0%
49	Groen 8 Magenta 8	000 ⇔ 255	RGBW-modus: 0–100% / CMY-modus: 100–0%
50	Blauw 8 Gelb 8	000 ⇔ 255	RGBW-modus: 0–100% / CMY-modus: 100–0%
51	Wit 8	000 ⇔ 255	RGBW-modus: 0–100% / CMY-modus: 100–0%

Single Control: Basic-modus (19CH)

Kanaal	Functie	Waarde	Percentage/Instelling
1	Kantelen	000 ⇔ 255	0–100%
2	Fijnekantelen	000 ⇔ 255	0–100%
3	Kantelensnelheid	000 ⇔ 255	0–100%
4	CTC	000 001 ⇔ 255	Geen functie Kleurtemperatuur, 1900–2700 K
5	Kleur	000 ⇔ 255	zie Kleurenkaart
6	Patronen (zie Patronen)	000 001 ⇔ 215 216 ⇔ 255	Geen functie Patroon 1–215 Geen functie
7	LED macro	000 ⇔ 255	Zie LED Macro
8	LED macro snelheid	000 ⇔ 127 128 129 ⇔ 255	Kleurwijziging met de klok mee, snel tot langzaam Bevriezen Kleurwijziging tegen de klok in, langzaam tot snel
9	LED ingebouwde vertraging	000 ⇔ 255	Snel tot langzaam
10	Achtergrondkleur	000 ⇔ 255	zie Kleurenkaart
11	Achtergronddimmer	000 ⇔ 255	0–100%
12	Dimmer	000 ⇔ 255	0–100%
13	Stroboscoop	000 ⇔ 255	zie Stroboscoop instellingen
14	Zoom	000 ⇔ 255	Breed tot nauw
15	Regeling	000 ⇔ 255	zie Bedieningsinstellingen
16	Hoofdrood	000 ⇔ 255	RGBW-modus: 0–100% / CMY-modus: 100–0%
17	Hoofdgroen	000 ⇔ 255	RGBW-modus: 0–100% / CMY-modus: 100–0%
18	Hoofdblauw	000 ⇔ 255	RGBW-modus: 0–100% / CMY-modus: 100–0%
19	Hoofdwit	000 ⇔ 255	RGBW-modus: 0–100% / CMY-modus: 100–0%



De “Single Control: Basic”-persoonlijkheid van de COLORado PXL Bar 8 komt precies overeen met de “Single Control: Basic2”-persoonlijkheid van de COLORado PXL Bar 16.

Dual Control Movement: Advanced-modus (25CH)

Kanaal	Functie	Waarde	Percentage/Instelling
1	Kantelen	000 ⇔ 255	0–100%
2	Fijnekantelen	000 ⇔ 255	0–100%
3	Kantelensnelheid	000 ⇔ 255	0–100%
4	CTC	000	Geen functie
		001 ⇔ 255	Kleurtemperatuur, 1900–2700 K
5	Kleur	000 ⇔ 255	zie Kleurenkaart
6	Patronen (zie Patronen)	000	Geen functie
		001 ⇔ 215	Patroon 1–215
		216 ⇔ 255	Geen functie
7	LED macro	000 ⇔ 255	Zie LED Macro
8	LED macro snelheid	000 ⇔ 127	Kleurwijziging met de klok mee, snel tot langzaam
		128	Bevriezen
		129 ⇔ 255	Kleurwijziging tegen de klok in, langzaam tot snel
9	LED ingebouwde vertraging	000 ⇔ 255	Snel tot langzaam
10	Achtergrondkleur	000 ⇔ 255	zie Kleurenkaart
11	Achtergronddimmer	000 ⇔ 255	0–100%
12	Fijneachtergronddimmer	000 ⇔ 255	0–100%
13	Dimmer	000 ⇔ 255	0–100%
14	Fijnedimmer	000 ⇔ 255	0–100%
15	Stroboscoop	000 ⇔ 255	zie Stroboscoop instellingen
16	Zoom	000 ⇔ 255	Breed tot nauw
17	Regeling	000 ⇔ 255	zie Bedieningsinstellingen
18	Rood	000 ⇔ 255	RGBW-modus: 0–100% / CMY-modus: 100–0%
19	Fijnerood	000 ⇔ 255	RGBW-modus: 0–100% / CMY-modus: 100–0%
20	Groen	000 ⇔ 255	RGBW-modus: 0–100% / CMY-modus: 100–0%
21	Fijnegroen	000 ⇔ 255	RGBW-modus: 0–100% / CMY-modus: 100–0%
22	Blauw	000 ⇔ 255	RGBW-modus: 0–100% / CMY-modus: 100–0%
23	Fijneblauw	000 ⇔ 255	RGBW-modus: 0–100% / CMY-modus: 100–0%
24	Wit	000 ⇔ 255	RGBW-modus: 0–100% / CMY-modus: 100–0%
25	Fijnewit	000 ⇔ 255	RGBW-modus: 0–100% / CMY-modus: 100–0%

Dual Control Movement: Standard-modus (19CH)

Kanaal	Functie	Waarde	Percentage/Instelling
1	Kantelen	000 ⇔ 255	0–100%
2	Fijnekantelen	000 ⇔ 255	0–100%
3	Kantelensnelheid	000 ⇔ 255	0–100%
4	CTC	000 001 ⇔ 255	Geen functie Kleurtemperatuur, 1900–2700 K
5	Kleur	000 ⇔ 255	zie Kleurenkaart
6	Patronen (zie Patronen)	000 001 ⇔ 215 216 ⇔ 255	Geen functie Patroon 1–215 Geen functie
7	LED macro	000 ⇔ 255	Zie LED Macro
8	LED macro snelheid	000 ⇔ 127 128 129 ⇔ 255	Kleurwijziging met de klok mee, snel tot langzaam Bevriezen Kleurwijziging tegen de klok in, langzaam tot snel
9	LED ingebouwde vertraging	000 ⇔ 255	Snel tot langzaam
10	Achtergrondkleur	000 ⇔ 255	zie Kleurenkaart
11	Achtergronddimmer	000 ⇔ 255	0–100%
12	Dimmer	000 ⇔ 255	0–100%
13	Stroboscoop	000 ⇔ 255	zie Stroboscoop instellingen
14	Zoom	000 ⇔ 255	Breed tot nauw
15	Regeling	000 ⇔ 255	zie Bedieningsinstellingen
16	Rood	000 ⇔ 255	RGBW-modus: 0–100% / CMY-modus: 100–0%
17	Groen	000 ⇔ 255	RGBW-modus: 0–100% / CMY-modus: 100–0%
18	Blauw	000 ⇔ 255	RGBW-modus: 0–100% / CMY-modus: 100–0%
19	Wit	000 ⇔ 255	RGBW-modus: 0–100% / CMY-modus: 100–0%

Dual Control Movement: Basic-modus (7CH)

Kanaal	Functie	Waarde	Percentage/Instelling
1	Kantelen	000 ⇔ 255	0–100%
2	Fijnekantelen	000 ⇔ 255	0–100%
3	Kantelensnelheid	000 ⇔ 255	0–100%
4	Dimmer	000 ⇔ 255	0–100%
5	Stroboscoop	000 ⇔ 255	zie Stroboscoop instellingen
6	Zoom	000 ⇔ 255	Breed tot nauw
7	Regeling	000 ⇔ 255	zie Bedieningsinstellingen



De “Dual Control Movement: Basic”-persoonlijkheid van de COLORado PXL Bar 8 komt precies overeen met de “Dual Control Movement: Basic2”-persoonlijkheid van de COLORado PXL Bar 16.

Dual Control LED: Advanced-modus (64CH)

Kanaal	Functie		Waarde	Percentage/Instelling
1	Rood 1	Cyaan 1	000 ⇔ 255	RGBW-modus: 0–100% / CMY-modus: 100–0%
2	Fijnerood 1	Fijne Cyaan 1	000 ⇔ 255	RGBW-modus: 0–100% / CMY-modus: 100–0%
3	Groen 1	Magenta 1	000 ⇔ 255	RGBW-modus: 0–100% / CMY-modus: 100–0%
4	Fijnegroen 1	Fijne Magenta 1	000 ⇔ 255	RGBW-modus: 0–100% / CMY-modus: 100–0%
5	Blauw 1	Gelb 1	000 ⇔ 255	RGBW-modus: 0–100% / CMY-modus: 100–0%
6	Fijneblauw 1	Fijne Gelb 1	000 ⇔ 255	RGBW-modus: 0–100% / CMY-modus: 100–0%
7	Wit 1		000 ⇔ 255	RGBW-modus: 0–100% / CMY-modus: 100–0%
8	Fijnewit 1		000 ⇔ 255	RGBW-modus: 0–100% / CMY-modus: 100–0%
9	Rood 2	Cyaan 2	000 ⇔ 255	RGBW-modus: 0–100% / CMY-modus: 100–0%
10	Fijnerood 2	Fijne Cyaan 2	000 ⇔ 255	RGBW-modus: 0–100% / CMY-modus: 100–0%
11	Groen 2	Magenta 2	000 ⇔ 255	RGBW-modus: 0–100% / CMY-modus: 100–0%
12	Fijnegroen 2	Fijne Magenta 2	000 ⇔ 255	RGBW-modus: 0–100% / CMY-modus: 100–0%
13	Blauw 2	Gelb 2	000 ⇔ 255	RGBW-modus: 0–100% / CMY-modus: 100–0%
14	Fijneblauw 2	Fijne Gelb 2	000 ⇔ 255	RGBW-modus: 0–100% / CMY-modus: 100–0%
15	Wit 2		000 ⇔ 255	RGBW-modus: 0–100% / CMY-modus: 100–0%
16	Fijnewit 2		000 ⇔ 255	RGBW-modus: 0–100% / CMY-modus: 100–0%
17	Rood 3	Cyaan 3	000 ⇔ 255	RGBW-modus: 0–100% / CMY-modus: 100–0%
18	Fijnerood 3	Fijne Cyaan 3	000 ⇔ 255	RGBW-modus: 0–100% / CMY-modus: 100–0%
19	Groen 3	Magenta 3	000 ⇔ 255	RGBW-modus: 0–100% / CMY-modus: 100–0%
20	Fijnegroen 3	Fijne Magenta 3	000 ⇔ 255	RGBW-modus: 0–100% / CMY-modus: 100–0%
21	Blauw 3	Gelb 3	000 ⇔ 255	RGBW-modus: 0–100% / CMY-modus: 100–0%
22	Fijneblauw 3	Fijne Gelb 3	000 ⇔ 255	RGBW-modus: 0–100% / CMY-modus: 100–0%
23	Wit 3		000 ⇔ 255	RGBW-modus: 0–100% / CMY-modus: 100–0%
24	Fijnewit 3		000 ⇔ 255	RGBW-modus: 0–100% / CMY-modus: 100–0%
25	Rood 4	Cyaan 4	000 ⇔ 255	RGBW-modus: 0–100% / CMY-modus: 100–0%
26	Fijnerood 4	Fijne Cyaan 4	000 ⇔ 255	RGBW-modus: 0–100% / CMY-modus: 100–0%
27	Groen 4	Magenta 4	000 ⇔ 255	RGBW-modus: 0–100% / CMY-modus: 100–0%
28	Fijnegroen 4	Fijne Magenta 4	000 ⇔ 255	RGBW-modus: 0–100% / CMY-modus: 100–0%
29	Blauw 4	Gelb 4	000 ⇔ 255	RGBW-modus: 0–100% / CMY-modus: 100–0%
30	Fijneblauw 4	Fijne Gelb 4	000 ⇔ 255	RGBW-modus: 0–100% / CMY-modus: 100–0%
31	Wit 4		000 ⇔ 255	RGBW-modus: 0–100% / CMY-modus: 100–0%
32	Fijnewit 4		000 ⇔ 255	RGBW-modus: 0–100% / CMY-modus: 100–0%
33	Rood 5	Cyaan 5	000 ⇔ 255	RGBW-modus: 0–100% / CMY-modus: 100–0%
34	Fijnerood 5	Fijne Cyaan 5	000 ⇔ 255	RGBW-modus: 0–100% / CMY-modus: 100–0%
35	Groen 5	Magenta 5	000 ⇔ 255	RGBW-modus: 0–100% / CMY-modus: 100–0%
36	Fijnegroen 5	Fijne Magenta 5	000 ⇔ 255	RGBW-modus: 0–100% / CMY-modus: 100–0%
37	Blauw 5	Gelb 5	000 ⇔ 255	RGBW-modus: 0–100% / CMY-modus: 100–0%
38	Fijneblauw 5	Fijne Gelb 5	000 ⇔ 255	RGBW-modus: 0–100% / CMY-modus: 100–0%
39	Wit 5		000 ⇔ 255	RGBW-modus: 0–100% / CMY-modus: 100–0%
40	Fijnewit 5		000 ⇔ 255	RGBW-modus: 0–100% / CMY-modus: 100–0%
41	Rood 6	Cyaan 6	000 ⇔ 255	RGBW-modus: 0–100% / CMY-modus: 100–0%
42	Fijnerood 6	Fijne Cyaan 6	000 ⇔ 255	RGBW-modus: 0–100% / CMY-modus: 100–0%
43	Groen 6	Magenta 6	000 ⇔ 255	RGBW-modus: 0–100% / CMY-modus: 100–0%
44	Fijnegroen 6	Fijne Magenta 6	000 ⇔ 255	RGBW-modus: 0–100% / CMY-modus: 100–0%
45	Blauw 6	Gelb 6	000 ⇔ 255	RGBW-modus: 0–100% / CMY-modus: 100–0%
46	Fijneblauw 6	Fijne Gelb 6	000 ⇔ 255	RGBW-modus: 0–100% / CMY-modus: 100–0%
47	Wit 6		000 ⇔ 255	RGBW-modus: 0–100% / CMY-modus: 100–0%
48	Fijnewit 6		000 ⇔ 255	RGBW-modus: 0–100% / CMY-modus: 100–0%
49	Rood 7	Cyaan 7	000 ⇔ 255	RGBW-modus: 0–100% / CMY-modus: 100–0%
50	Fijnerood 7	Fijne Cyaan 7	000 ⇔ 255	RGBW-modus: 0–100% / CMY-modus: 100–0%

Kanaal	Functie	Waarde	Percentage/Instelling
51	Groen 7 Magenta 7	000 ⇔ 255	RGBW-modus: 0–100% / CMY-modus: 100–0%
52	Fijnegroen 7 Fijne Magenta 7	000 ⇔ 255	RGBW-modus: 0–100% / CMY-modus: 100–0%
53	Blauw 7 Gelb 7	000 ⇔ 255	RGBW-modus: 0–100% / CMY-modus: 100–0%
54	Fijneblauw 7 Fijne Gelb 7	000 ⇔ 255	RGBW-modus: 0–100% / CMY-modus: 100–0%
55	Wit 7	000 ⇔ 255	RGBW-modus: 0–100% / CMY-modus: 100–0%
56	Fijnewit 7	000 ⇔ 255	RGBW-modus: 0–100% / CMY-modus: 100–0%
57	Rood 8 Cyaan 8	000 ⇔ 255	RGBW-modus: 0–100% / CMY-modus: 100–0%
58	Fijnerood 8 Fijne Cyaan 8	000 ⇔ 255	RGBW-modus: 0–100% / CMY-modus: 100–0%
59	Groen 8 Magenta 8	000 ⇔ 255	RGBW-modus: 0–100% / CMY-modus: 100–0%
60	Fijnegroen 8 Fijne Magenta 8	000 ⇔ 255	RGBW-modus: 0–100% / CMY-modus: 100–0%
61	Blauw 8 Gelb 8	000 ⇔ 255	RGBW-modus: 0–100% / CMY-modus: 100–0%
62	Fijneblauw 8 Fijne Gelb 8	000 ⇔ 255	RGBW-modus: 0–100% / CMY-modus: 100–0%
63	Wit 8	000 ⇔ 255	RGBW-modus: 0–100% / CMY-modus: 100–0%
64	Fijnewit 8	000 ⇔ 255	RGBW-modus: 0–100% / CMY-modus: 100–0%

Dual Control LED: Standard-modus (32CH)

Kanaal	Functie	Waarde	Percentage/Instelling
1	Rood 1 Cyaan 1	000 ⇔ 255	RGBW-modus: 0–100% / CMY-modus: 100–0%
2	Groen 1 Magenta 1	000 ⇔ 255	RGBW-modus: 0–100% / CMY-modus: 100–0%
3	Blauw 1 Gelb 1	000 ⇔ 255	RGBW-modus: 0–100% / CMY-modus: 100–0%
4	Wit 1	000 ⇔ 255	RGBW-modus: 0–100% / CMY-modus: 100–0%
5	Rood 2 Cyaan 2	000 ⇔ 255	RGBW-modus: 0–100% / CMY-modus: 100–0%
6	Groen 2 Magenta 2	000 ⇔ 255	RGBW-modus: 0–100% / CMY-modus: 100–0%
7	Blauw 2 Gelb 2	000 ⇔ 255	RGBW-modus: 0–100% / CMY-modus: 100–0%
8	Wit 2	000 ⇔ 255	RGBW-modus: 0–100% / CMY-modus: 100–0%
9	Rood 3 Cyaan 3	000 ⇔ 255	RGBW-modus: 0–100% / CMY-modus: 100–0%
10	Groen 3 Magenta 3	000 ⇔ 255	RGBW-modus: 0–100% / CMY-modus: 100–0%
11	Blauw 3 Gelb 3	000 ⇔ 255	RGBW-modus: 0–100% / CMY-modus: 100–0%
12	Wit 3	000 ⇔ 255	RGBW-modus: 0–100% / CMY-modus: 100–0%
13	Rood 4 Cyaan 4	000 ⇔ 255	RGBW-modus: 0–100% / CMY-modus: 100–0%
14	Groen 4 Magenta 4	000 ⇔ 255	RGBW-modus: 0–100% / CMY-modus: 100–0%
15	Blauw 4 Gelb 4	000 ⇔ 255	RGBW-modus: 0–100% / CMY-modus: 100–0%
16	Wit 4	000 ⇔ 255	RGBW-modus: 0–100% / CMY-modus: 100–0%
17	Rood 5 Cyaan 5	000 ⇔ 255	RGBW-modus: 0–100% / CMY-modus: 100–0%
18	Groen 5 Magenta 5	000 ⇔ 255	RGBW-modus: 0–100% / CMY-modus: 100–0%
19	Blauw 5 Gelb 5	000 ⇔ 255	RGBW-modus: 0–100% / CMY-modus: 100–0%
20	Wit 5	000 ⇔ 255	RGBW-modus: 0–100% / CMY-modus: 100–0%
21	Rood 6 Cyaan 6	000 ⇔ 255	RGBW-modus: 0–100% / CMY-modus: 100–0%
22	Groen 6 Magenta 6	000 ⇔ 255	RGBW-modus: 0–100% / CMY-modus: 100–0%
23	Blauw 6 Gelb 6	000 ⇔ 255	RGBW-modus: 0–100% / CMY-modus: 100–0%
24	Wit 6	000 ⇔ 255	RGBW-modus: 0–100% / CMY-modus: 100–0%
25	Rood 7 Cyaan 7	000 ⇔ 255	RGBW-modus: 0–100% / CMY-modus: 100–0%
26	Groen 7 Magenta 7	000 ⇔ 255	RGBW-modus: 0–100% / CMY-modus: 100–0%
27	Blauw 7 Gelb 7	000 ⇔ 255	RGBW-modus: 0–100% / CMY-modus: 100–0%
28	Wit 7	000 ⇔ 255	RGBW-modus: 0–100% / CMY-modus: 100–0%
29	Rood 8 Cyaan 8	000 ⇔ 255	RGBW-modus: 0–100% / CMY-modus: 100–0%
30	Groen 8 Magenta 8	000 ⇔ 255	RGBW-modus: 0–100% / CMY-modus: 100–0%
31	Blauw 8 Gelb 8	000 ⇔ 255	RGBW-modus: 0–100% / CMY-modus: 100–0%
32	Wit 8	000 ⇔ 255	RGBW-modus: 0–100% / CMY-modus: 100–0%

Dual Control LED: Basic-modus (24CH)

Kanaal	Functie		Waarde	Percentage/Instelling
1	Rood 1	Cyaan 1	000 ⇔ 255	RGBW-modus: 0–100% / CMY-modus: 100–0%
2	Groen 1	Magenta 1	000 ⇔ 255	RGBW-modus: 0–100% / CMY-modus: 100–0%
3	Blauw 1	Gelb 1	000 ⇔ 255	RGBW-modus: 0–100% / CMY-modus: 100–0%
4	Rood 2	Cyaan 2	000 ⇔ 255	RGBW-modus: 0–100% / CMY-modus: 100–0%
5	Groen 2	Magenta 2	000 ⇔ 255	RGBW-modus: 0–100% / CMY-modus: 100–0%
6	Blauw 2	Gelb 2	000 ⇔ 255	RGBW-modus: 0–100% / CMY-modus: 100–0%
7	Rood 3	Cyaan 3	000 ⇔ 255	RGBW-modus: 0–100% / CMY-modus: 100–0%
8	Groen 3	Magenta 3	000 ⇔ 255	RGBW-modus: 0–100% / CMY-modus: 100–0%
9	Blauw 3	Gelb 3	000 ⇔ 255	RGBW-modus: 0–100% / CMY-modus: 100–0%
10	Rood 4	Cyaan 4	000 ⇔ 255	RGBW-modus: 0–100% / CMY-modus: 100–0%
11	Groen 4	Magenta 4	000 ⇔ 255	RGBW-modus: 0–100% / CMY-modus: 100–0%
12	Blauw 4	Gelb 4	000 ⇔ 255	RGBW-modus: 0–100% / CMY-modus: 100–0%
13	Rood 5	Cyaan 5	000 ⇔ 255	RGBW-modus: 0–100% / CMY-modus: 100–0%
14	Groen 5	Magenta 5	000 ⇔ 255	RGBW-modus: 0–100% / CMY-modus: 100–0%
15	Blauw 5	Gelb 5	000 ⇔ 255	RGBW-modus: 0–100% / CMY-modus: 100–0%
16	Rood 6	Cyaan 6	000 ⇔ 255	RGBW-modus: 0–100% / CMY-modus: 100–0%
17	Groen 6	Magenta 6	000 ⇔ 255	RGBW-modus: 0–100% / CMY-modus: 100–0%
18	Blauw 6	Gelb 6	000 ⇔ 255	RGBW-modus: 0–100% / CMY-modus: 100–0%
19	Rood 7	Cyaan 7	000 ⇔ 255	RGBW-modus: 0–100% / CMY-modus: 100–0%
20	Groen 7	Magenta 7	000 ⇔ 255	RGBW-modus: 0–100% / CMY-modus: 100–0%
21	Blauw 7	Gelb 7	000 ⇔ 255	RGBW-modus: 0–100% / CMY-modus: 100–0%
22	Rood 8	Cyaan 8	000 ⇔ 255	RGBW-modus: 0–100% / CMY-modus: 100–0%
23	Groen 8	Magenta 8	000 ⇔ 255	RGBW-modus: 0–100% / CMY-modus: 100–0%
24	Blauw 8	Gelb 8	000 ⇔ 255	RGBW-modus: 0–100% / CMY-modus: 100–0%

Kleurenkaart

Waarde	Percentage/Instelling				
000	Geen functie				
001 ⇔ 002	Wit 2700K	R = 156	G = 118	B = 0	W = 63
003 ⇔ 004	Wit 3200K	R = 156	G = 141	B = 5	W = 89
005 ⇔ 006	Wit 4200K	R = 156	G = 141	B = 14	W = 255
007 ⇔ 008	Wit 5600K	R = 156	G = 207	B = 54	W = 255
009 ⇔ 010	Wit 8000K	R = 130	G = 255	B = 96	W = 255
011	Blauw	R = 0	G = 0	B = 255	W = 0
012 ⇔ 048	+ groen	R = 0	G = 0–255	B = 255	W = 0
049	Cyaan	R = 0	G = 255	B = 255	W = 0
050 ⇔ 086	- blauw	R = 0	G = 255	B = 255–0	W = 0
087	Groen	R = 0	G = 255	B = 0	W = 0
088 ⇔ 124	+ rood	R = 0–255	G = 255	B = 0	W = 0
125	Geel	R = 255	G = 255	B = 0	W = 0
126 ⇔ 162	- groen	R = 255	G = 255–0	B = 0	W = 0
163	Rood	R = 255	G = 0	B = 0	W = 0
164 ⇔ 200	+ blauw	R = 255	G = 0	B = 0–255	W = 0
201	Magenta	R = 255	G = 0	B = 255	W = 0
202 ⇔ 238	- rood	R = 255–0	G = 0	B = 255	W = 0
239	Blauw	R = 0	G = 0	B = 255	W = 0
240 ⇔ 247	Kleurverandering, snel tot langzaam				
248 ⇔ 255	Kleursprong, snel tot langzaam				

Stroboscoop instellingen

Waarde	Percentage/Instelling	Waarde	Percentage/Instelling
000 ⇔ 019	Uit	145 ⇔ 149	Aan
020 ⇔ 024	Aan	150 ⇔ 164	Willekeurigestroboscoop 0–100%, snel tot langzaam
025 ⇔ 064	Stroboscoop, snel tot langzaam	165 ⇔ 169	Aan
065 ⇔ 069	Aan	170 ⇔ 184	Pulsstroboscoop, snel tot langzaam
070 ⇔ 084	Stroboscoop 100–0%, snel tot langzaam	185 ⇔ 189	Aan
085 ⇔ 089	Aan	190 ⇔ 204	Willekeurige puls stroboscoop, snel tot langzaam
090 ⇔ 104	Stroboscoop 0–100%, snel tot langzaam	205 ⇔ 209	Aan
105 ⇔ 109	Aan	210 ⇔ 224	Stroboscoop 0–100–0%, snel tot langzaam
110 ⇔ 124	Willekeurigestroboscoop, snel tot langzaam	225 ⇔ 229	Aan
125 ⇔ 129	Aan	230 ⇔ 244	Willekeurige puls stroboscoop, snel tot langzaam
130 ⇔ 144	Willekeurigestroboscoop 100–0%, snel tot langzaam	245 ⇔ 255	Aan

Bedieningsinstellingen

Waarde	Percentage/Instelling	Waarde	Percentage/Instelling
000 ⇔ 009	Geen functie	095 ⇔ 099	Gereserveerd voor toekomstig gebruik
010 ⇔ 014	Kantelverduistering	100 ⇔ 104	Achteruit kantelen uitschakelen
015 ⇔ 019	Gereserveerd voor toekomstig gebruik	105 ⇔ 119	Gereserveerd voor toekomstig gebruik
020 ⇔ 024	RGBW-kleurenmengmodus (additief)	120 ⇔ 124	Ventilatormodus ECO
025 ⇔ 029	CMY-kleurenmengmodus (subtractief)	125 ⇔ 129	Ventilatormodus volledig
030 ⇔ 039	Gereserveerd voor toekomstig gebruik	130 ⇔ 134	Ventilatormodus auto
040 ⇔ 044	Ontdooiventilator aan	135 ⇔ 139	Dimmodus snel
045 ⇔ 049	Ontdooiventilator uit	140 ⇔ 144	Dimmodus langzaam
050 ⇔ 054	Gereserveerd voor toekomstig gebruik	145 ⇔ 149	Linear
055 ⇔ 059	Kantel-reset	150 ⇔ 154	Square
060 ⇔ 064	Zoom-reset	155 ⇔ 159	i Squa
065 ⇔ 069	Gereserveerd voor toekomstig gebruik	160 ⇔ 164	SCurve
070 ⇔ 074	Alles-reset	165 ⇔ 169	Witte modus
075 ⇔ 089	Gereserveerd voor toekomstig gebruik	170 ⇔ 174	Volledige modus
090 ⇔ 094	Achteruit kantelen	175 ⇔ 255	Gereserveerd voor toekomstig gebruik

LED Macro

Waarde	Percentage/Instelling	Waarde	Percentage/Instelling
000 ⇔ 015	Geen functie	136 ⇔ 137	Automatische kleurenmacro 38
016 ⇔ 017	Kleur bestuurbare macro 1	138 ⇔ 139	Automatische kleurenmacro 39
018 ⇔ 019	Kleur bestuurbare macro 2	140 ⇔ 141	Automatische kleurenmacro 40
020 ⇔ 021	Kleur bestuurbare macro 3	142 ⇔ 143	Automatische kleurenmacro 41
022 ⇔ 023	Kleur bestuurbare macro 4	144 ⇔ 145	Automatische kleurenmacro 42
024 ⇔ 025	Kleur bestuurbare macro 5	146 ⇔ 147	Automatische kleurenmacro 43
026 ⇔ 027	Kleur bestuurbare macro 6	148 ⇔ 149	Automatische kleurenmacro 44
028 ⇔ 029	Kleur bestuurbare macro 7	150 ⇔ 151	Automatische kleurenmacro 45
030 ⇔ 031	Kleur bestuurbare macro 8	152 ⇔ 153	Automatische kleurenmacro 46
032 ⇔ 033	Kleur bestuurbare macro 9	154 ⇔ 155	Automatische kleurenmacro 47
034 ⇔ 035	Kleur bestuurbare macro 10	156 ⇔ 157	Automatische kleurenmacro 48
036 ⇔ 037	Kleur bestuurbare macro 11	158 ⇔ 159	Automatische kleurenmacro 49
038 ⇔ 039	Kleur bestuurbare macro 12	160 ⇔ 161	Automatische kleurenmacro 50
040 ⇔ 041	Kleur bestuurbare macro 13	162 ⇔ 163	Automatische kleurenmacro 51
042 ⇔ 043	Kleur bestuurbare macro 14	164 ⇔ 165	Automatische kleurenmacro 52
044 ⇔ 045	Kleur bestuurbare macro 15	166 ⇔ 167	Automatische kleurenmacro 53
046 ⇔ 047	Kleur bestuurbare macro 16	168 ⇔ 169	Automatische kleurenmacro 54
048 ⇔ 049	Kleur bestuurbare macro 17	170 ⇔ 171	Automatische kleurenmacro 55
050 ⇔ 051	Kleur bestuurbare macro 18	172 ⇔ 173	Automatische kleurenmacro 56
052 ⇔ 053	Kleur bestuurbare macro 19	174 ⇔ 175	Automatische kleurenmacro 57
054 ⇔ 055	Kleur bestuurbare macro 20	176 ⇔ 177	Automatische kleurenmacro 58
056 ⇔ 057	Kleur bestuurbare macro 21	178 ⇔ 179	Automatische kleurenmacro 59
058 ⇔ 059	Kleur bestuurbare macro 22	180 ⇔ 181	Automatische kleurenmacro 60
060 ⇔ 061	Kleur bestuurbare macro 23	182 ⇔ 183	Automatische kleurenmacro 61
062 ⇔ 063	Kleur bestuurbare macro 24	184 ⇔ 185	Automatische kleurenmacro 62
064 ⇔ 065	Kleur bestuurbare macro 25	186 ⇔ 187	Automatische kleurenmacro 63
066 ⇔ 067	Kleur bestuurbare macro 26	188 ⇔ 189	Automatische kleurenmacro 64
068 ⇔ 069	Kleur bestuurbare macro 27	190 ⇔ 191	Automatische kleurenmacro 65
070 ⇔ 071	Kleur bestuurbare macro 28	192 ⇔ 193	Automatische kleurenmacro 66
072 ⇔ 073	Kleur bestuurbare macro 29	194 ⇔ 195	Automatische kleurenmacro 67
074 ⇔ 075	Kleur bestuurbare macro 30	196 ⇔ 197	Automatische kleurenmacro 68
076 ⇔ 077	Kleur bestuurbare macro 31	198 ⇔ 199	Automatische kleurenmacro 69
078 ⇔ 079	Kleur bestuurbare macro 32	200 ⇔ 201	Automatische kleurenmacro 70
080 ⇔ 081	Kleur bestuurbare macro 33	202 ⇔ 203	Automatische kleurenmacro 71
082 ⇔ 083	Kleur bestuurbare macro 34	204 ⇔ 205	Automatische kleurenmacro 72
084 ⇔ 085	Kleur bestuurbare macro 35	206 ⇔ 207	Automatische kleurenmacro 73
086 ⇔ 087	Kleur bestuurbare macro 36	208 ⇔ 255	Automatische kleurenmacro 74 (hoofdmacro)
088 ⇔ 135	Kleur bestuurbare macro 37 (hoofdmacro)		

Patronen

1	●●●●●●●●	44	●○○○●●●●	87	●●○○●○○●	130	●○○○●○○●	173	○●○○○○●●
2	●●○○●●●●	45	●○○○●○○●	88	●●○○●○○○	131	●○○○●○○●	174	○●○○○○●●
3	●●○○●●●●	46	●○○○●○○●	89	●●○○●○○○	132	●○○○●○○○	175	○●●○○○○●
4	●●○○●●●●	47	●○○○●○○○	90	●●○○●○○○	133	●○○○●○○●	176	○●●○○○○○
5	●●○○●●●●	48	●○○○●●●○	91	●●○○●○○○	134	●○○○●○○○	177	○○●●○○○●
6	●●○○●●○○	49	●●○○○○●●	92	●●○○●○○○	135	●○○○●○○○	178	○○●●○○○○
7	●●○○●●○○	50	●●○○●○○●	93	●●○○●○○○	136	●○○○●○○○	179	○○●●●○○○
8	●●○○●●○○	51	●●○○●○○○	94	○○○○●●●●	137	●○○○●○○○	180	○○○○●○○●
9	○○○○○○○○	52	●●○○●●●○	95	○○○○●○○●	138	●○○○●○○○	181	○○○○●○○●
10	○○●●●●●●	53	●●○○○○●●	96	○○○○●○○●	139	●○○○●○○●	182	○○○○●○○○
11	○●○○●●●●	54	●●○○○○●○	97	○○○○●○○○	140	●○○○●○○○	183	○○○○●○○○
12	○●○○●●●●	55	●●○○○○●○	98	○○○○●○○○	141	●○○○●○○○	184	○○○○●○○○
13	○●○○●●●●	56	●●○○○○○○	99	○○○○●○○○	142	●○○○●○○○	185	○○○○●○○○
14	○●○○●●○○	57	●●○○○○○○	100	○○○○●○○○	143	●○○○●○○○	186	○○○○●○○○
15	○●○○●●○○	58	●●○○○○○○	101	○○○○●○○○	144	●○○○●○○○	187	○○○○●○○○
16	○●○○●●○○	59	○○○○●●●●	102	○○○○●○○○	145	●○○○●○○○	188	○○○○●○○○
17	●○○○●●●●	60	○○○○●○○○	103	○○○○●○○○	146	●○○○●○○○	189	●○○○●○○○
18	●○○○●●●●	61	○○○○●○○○	104	○○○○●○○○	147	●○○○●○○○	190	●○○○●○○○
19	●○○○●●●●	62	○○○○●○○○	105	○○○○●○○○	148	●●○○○○●●	191	●○○○●○○○
20	●○○○●●○○	63	○○○○●○○○	106	○○○○●○○○	149	●●○○○○●●	192	●○○○●○○○
21	●○○○●●○○	64	○○○○●○○○	107	○○○○●○○○	150	●●○○○○●●	193	●○○○●○○○
22	●○○○●●○○	65	○○○○●○○○	108	○○○○●○○○	151	●●○○○○●●	194	●○○○●○○○
23	●●○○●●●●	66	○○○○●○○○	109	○○○○●○○○	152	●●○○○○●●	195	●●○○○○●●
24	●●○○●●○○	67	○○○○●○○○	110	○○○○●○○○	153	●●○○○○●●	196	●●○○○○●●
25	●●○○●●○○	68	○○○○●○○○	111	○○○○●○○○	154	●●○○○○●●	197	○○○○○○●●
26	●●○○●●○○	69	○○○○●○○○	112	○○○○●○○○	155	●●○○○○●●	198	○○○○○○●●
27	●●○○●●○○	70	○○○○●○○○	113	○○○○●○○○	156	●●○○○○●●	199	○○○○○○●○
28	●●○○●●○○	71	○○○○●○○○	114	○○○○●○○○	157	●●○○○○●●	200	●○○○○○○●
29	●●○○●●○○	72	○○○○●○○○	115	○○○○●○○○	158	●●○○○○●●	201	●○○○○○○●
30	●●○○●●○○	73	○○○○●○○○	116	○○○○●○○○	159	●●○○○○●●	202	●○○○○○○○
31	●●○○●●○○	74	●○○○●●●●	117	○○○○●○○○	160	●●○○○○●●	203	●○○○○○○○
32	●●○○●●○○	75	●○○○●●○○	118	○○○○●○○○	161	●●○○○○●●	204	○●○○○○○○●
33	●●○○●●○○	76	●○○○●●○○	119	○○○○●○○○	162	○○○○●●●●	205	○●○○○○○○○
34	●●○○●●○○	77	●○○○●●○○	120	○○○○●○○○	163	○○○○●○○●	206	○●●○○○○○
35	●●○○●●○○	78	●○○○●●○○	121	○○○○●○○○	164	○○○○●○○○	207	●○○○○○○○
36	●●○○●●○○	79	●○○○●●○○	122	○○○○●○○○	165	○○○○●○○○	208	○○○○○○●●
37	●●○○●●○○	80	●○○○●●○○	123	○○○○●○○○	166	●○○○○○○●	209	○○○○○○●○
38	○○○○●●●●	81	●○○○●●○○	124	○○○○●○○○	167	●○○○○○○●	210	○○○○○○●○
39	○○○○●●●●	82	●○○○●●○○	125	○○○○●○○○	168	●○○○○○○○	211	○○○○○○○
40	○○○○●●●●	83	●○○○●●○○	126	○○○○●○○○	169	●●○○○○○○●	212	○○○○○○○
41	○○○○●●○○	84	●●○○●○○○	127	○○○○●○○○	170	●●○○○○○○○	213	○○○○○○○
42	○○○○●●○○	85	●●○○●○○○	128	○○○○●○○○	171	●●○○○○○○○	214	○●○○○○○○○
43	○○○○●●○○	86	●●○○●○○○	129	●○○○●●●●	172	○●○○○○○○●	215	●○○○○○○○

Contact Us

General Information	Technical Support
World Headquarters	
Address: 5200 NW 108th Ave. Sunrise, FL 33351 Voice: (954) 577-4455 Fax: (954) 929-5560 Toll Free: (800) 762-1084	Voice: (844) 393-7575 Fax: (954) 756-8015 Email: chauvetcs@chauvetlighting.com Website: www.chauvetprofessional.com
U.K.	
Address: Unit 1C Brookhill Road Industrial Estate Pinxton, Nottingham, UK NG16 6NT Voice: +44 (0) 1773 511115 Fax: +44 (0) 1773 511110	Email: UKtech@chauvetlighting.eu Website: www.chauvetprofessional.eu
Benelux	
Address: Stokstraat 18 9770 Kruishoutem Belgium Voice: +32 9 388 93 97	Email: BNLtech@chauvetlighting.eu Website: www.chauvetprofessional.eu
France	
Address: 3, Rue Ampère 91380 Chilly-Mazarin France Voice: +33 1 78 85 33 59	Email: FRtech@chauvetlighting.fr Website: www.chauvetprofessional.eu
Germany	
Address: Bruno-Bürgel-Str. 11 28759 Bremen Germany Voice: +49 421 62 60 20	Email: DEtech@chauvetlighting.de Website: www.chauvetprofessional.eu
Mexico	
Address: Av. de las Partidas 34 - 3B (Entrance by Calle 2) Zona Industrial Lerma Lerma, Edo. de México, CP 52000 Voice: +52 (728) 690-2010	Email: servicio@chauvet.com.mx Website: www.chauvetprofessional.mx

Visit the applicable website above to verify our contact information and instructions to request support. Outside the U.S., U.K., Ireland, Mexico, France, Germany, or Benelux, contact the dealer of record.

