

COLORADO PXL BAR₈

User Manual



Model ID: COLORADOPXLBAR8

Edition Notes

The COLORado PXL Bar 8 User Manual includes a description, safety precautions, installation, programming, operation, and maintenance instructions for the COLORado PXL Bar 8 as of the release date of this edition.

Trademarks

Chauvet, Chauvet Professional, the Chauvet logo, and Colorado are registered trademarks or trademarks of Chauvet & Sons, LLC (d/b/a Chauvet and Chauvet Lighting) in the United States and other countries. Other company and product names and logos referred to herein may be trademarks of their respective companies.

Copyright Notice

The works of authorship contained in this manual, including, but not limited to, all designs, text, and images are owned by Chauvet.

© Copyright 2023 Chauvet & Sons, LLC. All rights reserved.

Electronically published by Chauvet in the United States of America.

Manual Use

Chauvet authorizes its customers to download and print this manual for professional information purposes only. Chauvet expressly prohibits the usage, copy, storage, distribution, modification, or printing of this manual or its content for any other purpose without written consent from Chauvet.

Document Printing

For best results, print this document in color, on letter size paper (8.5 x 11 in), double-sided. If using A4 paper (210 x 297 mm), configure the printer to scale the content accordingly.

Intended Audience

Any person installing, operating, and/or maintaining this product should completely read through the guide that shipped with the product, as well as this manual, before installing, operating, or maintaining this product.

Disclaimer

Chauvet believes that the information contained in this manual is accurate in all respects. However, Chauvet assumes no responsibility and specifically disclaims any and all liability to any party for any loss, damage or disruption caused by any errors or omissions in this document, whether such errors or omissions result from negligence, accident or any other cause. Chauvet reserves the right to revise the content of this document without any obligation to notify any person or company of such revision, however, Chauvet has no obligation to make, and does not commit to make, any such revisions.

Document Revision

Go to www.chauvetprofessional.com for the latest version.

Revision	Date	Description
9	11/2023	Added tilt lock verbiage note.

TABLE OF CONTENTS

1. Before You Begin	1
What Is Included	1
Claims	1
Manual Conventions	1
Symbols	1
Safety Notes.....	2
FCC Statement of Compliance	3
RF Exposure Warning for North America and Australia.....	3
Expected LED Lifespan.....	3
2. Introduction	4
Description	4
Features.....	4
Product Overview.....	5
Product Dimensions	6
3. Setup.....	7
AC Power	7
AC Plug	7
Power Linking.....	7
DMX Linking.....	7
DMX Personalities.....	7
Remote Device Management.....	7
Master/Slave Connectivity.....	8
USB Software Update	8
Mounting	9
Orientation.....	9
Rigging	9
Procedure.....	9
4. Operation	10
Control Panel Operation.....	10
Protocol Configuration.....	10
Control Personalities	10
Single Control.....	10
Dual Control	11
Menu Map	12
DMX Values	15
Color Chart.....	19
Strobe Settings.....	20
Control Settings.....	20
LED Macro	21
Patterns.....	22
Standalone Configuration.....	23
Test Mode	23
Setup.....	23
System Information	26
Offset Mode.....	26
Tilt	26
Zoom.....	26
MAC Address	26
RDM.....	26
Web Server	27

5. Maintenance	28
Product Maintenance	28
Torque Measurements	28
Vacuum Test Measurements	28
6. Technical Specifications	29
Contact Us	30
Warranty & Returns.....	30

Before You Begin

1. Before You Begin

What Is Included

- COLORado PXL Bar 8
- Seetronic Powerkon IP65 power cable
- 2 Omega bracket with mounting hardware
- Quick Reference Guide

Claims

Carefully unpack the product immediately and check the container to make sure all the parts are in the package and are in good condition.





If the box or the contents (the product and included accessories) appear damaged from shipping, or show signs of mishandling, notify the carrier immediately, not Chauvet. Failure to report damage to the carrier immediately may invalidate your claim. In addition, keep the box and contents for inspection.

For other issues, such as missing components or parts, damage not related to shipping, or concealed damage, file a claim with Chauvet within 7 days of delivery.

Manual Conventions

Convention	Meaning
1–512	A range of values
50/60	A set of values of which only one can be chosen
<SET>	A button on the product's control panel
Settings	A product function or a menu option

Symbols

Symbol	Meaning
	Electrical warning. Not following these instructions may cause electrical damage to the product, accessories, or the user.
	Critical installation, configuration, or operation information. Not following these instructions may make the product not work, cause damage to the product, or cause harm to the operator.
	Important installation or configuration information. The product may not function correctly if this information is not used.
	Useful information.



Any reference to data or power connections in this manual assumes the use of Seetronic IP-rated cables.



The term “DMX” used throughout this manual refers to the USITT DMX512-A digital data transmission protocol.

Safety Notes

Read all the following safety notes before working with this product. These notes contain important information about the installation, usage, and maintenance of this product.



This product contains no user-serviceable parts. Any reference to servicing in this User Manual will only apply to properly trained, certified technicians. Do not open the housing or attempt any repairs.



All applicable local codes and regulations apply to proper installation of this product.

- The luminaire is intended for professional use only.
- If the external flexible cable or cord of this luminaire is damaged, it shall be replaced by a special cord or cord exclusively available from the manufacturer or its service agent.
- The light source contained in this luminaire shall only be replaced by the manufacturer or its service agent or a similar qualified person.
- **CAUTION:**
 - This product's housing may be hot when operating. Mount this product in a location with adequate ventilation, at least 20 in (50 cm) from adjacent surfaces.
 - When transferring the product from extreme temperature environments, (e.g., cold truck to warm humid ballroom) condensation may form on the internal electronics of the product. To avoid causing a failure, allow the product to fully acclimate to the surrounding environment before connecting it to power.
 - Flashing light is known to trigger epileptic seizures. User must comply with local laws regarding notification of strobe use.
- **ALWAYS:**
 - Disconnect from power before cleaning the product or replacing the fuse.
 - When using an IP65-rated product in an outdoor environment, use IP65- (or higher) rated power and data cable.
 - Replace and secure IP-rated protective covers to all power, data, USB, or other ports when not in use.
 - Replace the fuse with the same type and rating.
 - Use a safety cable when mounting this product overhead.
 - Connect this product to a grounded and protected circuit.
- **DO NOT:**
 - Open this product. It contains no user-serviceable parts.
 - Look at the light source when the product is on.
 - Leave any flammable material within 50 cm of this product while operating or connected to power.
 - Connect this product to a dimmer or rheostat.
 - Operate this product if the housing, lenses, or cables appear damaged.
 - Submerge this product (adhere to standards for the published IP rating). Regular outdoor operation is fine.
 - Permanently install outdoors in locations with extreme environmental conditions. This includes, but is not limited to:
 - Exposure to a marine/saline environment (within 3 miles of a saltwater body of water).
 - Locations where normal temperatures exceed the temperature ranges in this manual.
 - Locations that are prone to flooding or being buried in snow.
 - Other areas where the product will be subject to extreme radiation or caustic substances.
- **ONLY** use the handles or the hanging/mounting brackets to carry this product.
- The maximum ambient temperature is 113 °F (45 °C). Do not operate this product at higher temperatures.
- The minimum startup temperature is -4°F (-20°C). Do not start the product at lower temperatures.
- The minimum ambient temperature is -22°F (-30°C). Do not operate the product at lower temperatures.
- To eliminate unnecessary wear and improve its lifespan, during periods of non-use completely disconnect the product from power via breaker or by unplugging it.
- In the event of a serious operating problem, stop using immediately.



If a Chauvet product requires service, contact Chauvet Technical Support.

Before You Begin

FCC Statement of Compliance

This device complies with Part 15 Part B of the FCC rules. Operation is subject to the following two conditions:

1. This device may not cause harmful interference, and
2. This device must accept any interference received, including interference that may cause undesired operation.

This equipment has been tested and found to comply with the limits for a Class B digital device, pursuant to Part 15 of the FCC Rules. These limits are designed to provide reasonable protection against harmful interference in a residential installation. This equipment generates uses and can radiate radio frequency energy and, if not installed and used in accordance with the instructions, may cause harmful interference to radio communications. However, there is no guarantee that interference will not occur in a particular installation. If this equipment does cause harmful interference to radio or television reception, which can be determined by turning the equipment off and on, the user is encouraged to try to correct the interference by one or more of the following measures:

- Reorient or relocate the receiving antenna.
- Increase the separation between the equipment and receiver.
- Connect the equipment into an outlet on a circuit different from that to which the receiver is connected.
- Consult the dealer or an experienced radio/TV technician for help.

Any changes or modifications not expressly approved by the party responsible for compliance could void the user's authority to operate the equipment.

RF Exposure Warning for North America and Australia

Warning! This equipment complies with FCC radiation exposure limits set forth for an uncontrolled environment. This equipment should be installed and operated with a minimum distance of 20cm between the radiator and your body. This transmitter must not be co-located or operating in conjunction with any other antenna or transmitter.

Expected LED Lifespan

Over time, use and heat will gradually reduce LED brightness. Clustered LEDs produce more heat than single LEDs, contributing to shorter lifespans if always used at full intensity. The average LED lifespan is 40,000 to 50,000 hours. To extend LED lifespan, maintain proper ventilation around the product, and limit the overall intensity.

2. Introduction

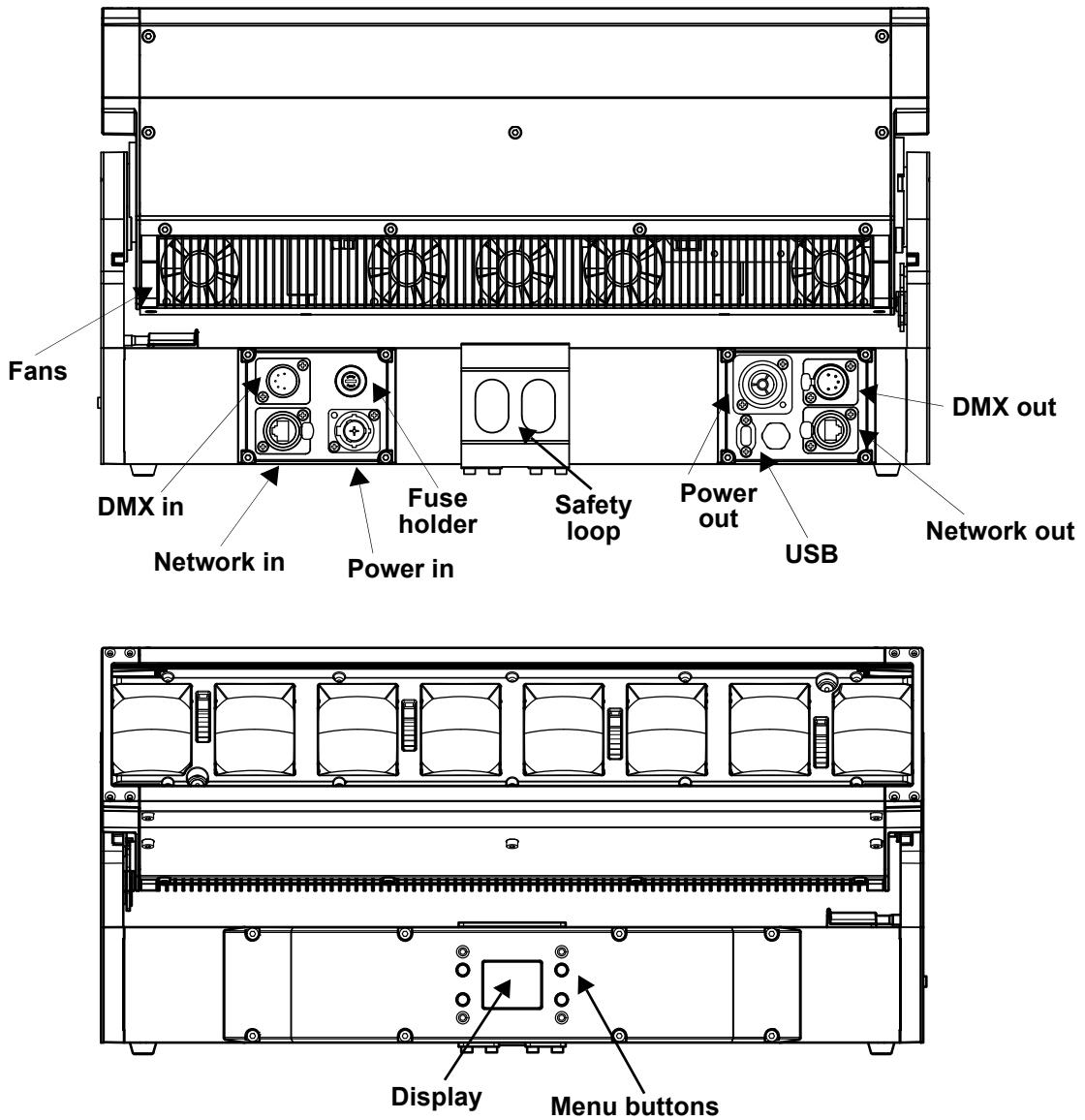
Description

COLORado PXL Bar 8 is a motorized, outdoor-ready tilting batten with capabilities to zoom for tight and wide pixel-mappable looks. This bright, moving pixel bar also features seamless edge-to-edge mounting and includes virtual gobo and movement macros with separate foreground and background color control for more design options than ever before. Slotted Omega brackets make it quick and easy to hang the fixture on truss. The COLORado PXL Bar 8 can also be positioned on the ground, which allows for a variety of different light angles.

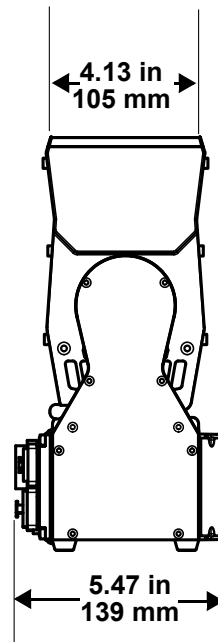
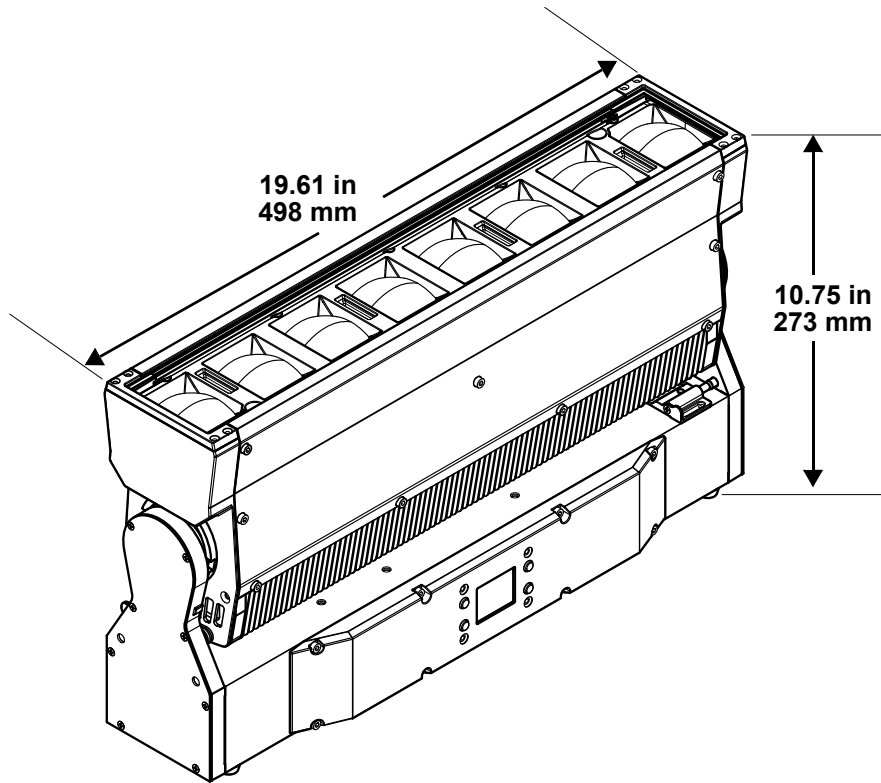
Features

- IP65-rated motorized tilting batten with (8) 45W RGBW LEDs with a 3.5° to 47.3° zoom range maintains pixel pitch between fixtures
- Quiet and quick operation of 200° tilt and zoom
- Fully pixel mappable
- Several built-in effects, including virtual gobos and movement macros with foreground and background color control for easy pixel animation effects
- DMX, sACN, Art-Net, and Kling-Net control for full flexibility
- RDM enabled for remote addressing and troubleshooting
- 3.5° to 47.3° zoom range for variable beam sizes
- TRUE1-compatible power input/output ports
- IP65-rated 5-pin DMX and TCP/IP input/output ports
- IP65-rated USBc software upload port
- Slotted Omega brackets for easy hanging on truss

Product Overview



Product Dimensions



3. Setup

AC Power

Each COLORado PXL Bar 8 has an auto-ranging power supply that works with an input voltage range of 100 to 240 VAC, 50/60 Hz. To determine the product's power requirements (circuit breaker, power outlet, and wiring), use the current value listed on the label affixed to the product's back panel, or refer to the product's specifications chart. The listed current rating indicates the maximum current draw during normal operation. For more information, download Sizing Circuit Breakers from the Chauvet website:

www.chauvetprofessional.com.



- **Always connect the product to a protected circuit (a circuit breaker or fuse). Make sure the product has an appropriate electrical ground to avoid the risk of electrocution or fire.**
- **To eliminate unnecessary wear and improve its lifespan, during periods of non-use completely disconnect the product from power via breaker or by unplugging it.**



Never connect the product to a rheostat (variable resistor) or dimmer circuit, even if the rheostat or dimmer channel serves only as a 0 to 100% switch.

AC Plug

The COLORado PXL Bar 8 comes with a power input cord terminated with a Seetronic Powerkon A connector on one end and an Edison plug on the other end (U.S. market). If the power input cord that came with your product has no plug, or if the plug needs to be changed, use the table below to wire the new plug.

Connection	Wire (U.S.)	Wire (Europe)	Screw Color
AC Live	Black	Brown	Yellow or Brass
AC Neutral	White	Blue	Silver
AC Ground	Green/Yellow	Green/Yellow	Green

Power Linking

This product comes with a power input cord. Power-linking cables are available for purchase from Chauvet. It is possible to power link COLORado PXL Bar 8 products. See the table below for the current draw at each voltage and frequency:

	100 V, 60 Hz	120 V, 60 Hz	208 V, 60 Hz	230 V, 50 Hz	240 V, 50 Hz
Current Draw	4.269 A	3.497 A	2.013 A	1.830 A	1.746 A

Never exceed 12 A on a single circuit. Power-linking cables can be purchased separately.



- **To preserve the IP65 rating and the warranty of this product, Seetronic Powerkon cables must be used.**
- **Insert the attached IP65-rated plugs into the corresponding power/data connections when not in use.**

DMX Linking

The COLORado PXL Bar 8 can be linked to a DMX controller using a 5-pin DMX connection. If using other DMX-compatible products with this product, each can be controlled individually with a single DMX controller.

DMX Personalities

The COLORado PXL Bar 8 uses DMX, Art-Net™, sACN, and Kling-Net for its control personalities:

Single Mode	Dual Mode Movement	Dual Mode Pixels
Basic (19 channels)	Basic (7 channels)	Basic (24 channels)
Standard (51 channels)	Standard (19 channels)	Standard (32 channels)
Advanced (89 channels)	Advanced (25 channels)	Advanced (64 channels)
Tour (105 channels) Uses DMX, Art-Net™, or sACN	Uses DMX, Art-Net™, or sACN	Uses DMX, Art-Net™, sACN, or Kling-Net



For more information about DMX standards, Master/Slave connectivity, or the DMX cables needed to link this product to a DMX controller, download the DMX Primer from the Chauvet website: www.chauvetprofessional.com.

Remote Device Management

Remote Device Management (RDM) is a standard for allowing DMX-enabled devices to communicate bi-directionally along existing DMX cabling. Check the DMX controller's User Manual or with the manufacturer as not all DMX controllers have this capability. The COLORado PXL Bar 8 supports RDM protocol that allows feedback to make changes to menu map options.

Master/Slave Connectivity

The Master/Slave mode allows an COLORado PXL Bar 8 (the master) to control one or more COLORado PXL Bar 8 products (the slaves) without a DMX controller. One COLORado PXL Bar 8 becomes the master when running an auto program, or by being in Static mode.

The user must configure each slave's control panel to operate in Slave mode. During Master/Slave operation, the slaves will operate in unison with the master.



DO NOT connect a DMX controller to products operating in Master/Slave mode. The DMX controller signals may interfere with the signals from the master.

- The [Operation](#) section of this manual provides detailed instructions on how to configure the master and slaves.



- For more information about DMX standards, or the DMX cables needed to link this product to a DMX controller, download the DMX Primer from the Chauvet website: www.chauvetprofessional.com.

USB Software Update

The COLORado PXL Bar 8 allows for software updates with a USB device using the built-in USB port. To update the software using a USB flash drive, do the following:

1. Power on the product, and plug the flash drive into the USB port.
2. Once the flash drive has been detected, the message “**USB UPDATE**” will be displayed. Select **YES**.
3. The next screen will show the software versions available for this fixture on the USB drive. For multiple versions of the software for the same fixture, use <UP> or <DOWN> to select the desired version. Press <ENTER>.
4. The “**USB UPDATE**” screen will re-appear. Select **YES**.



It is possible to update multiple units with the USB if they are daisy chained via DMX.

5. The upgrade will start. **DO NOT** turn off the power or disconnect the USB while the USB LED is still blinking during the process. The screen display will read: “**USB Update Wait**”. The update can take several minutes to complete.
 - When the USB firmware is done uploading, in some fixtures, the display will change to: “**DO NOT UNPLUG, UPDATING**”.
6. When the update is completed, the fixture will automatically reboot.
7. Go to Fixture Information on the product's menu map and confirm the firmware revision.
8. When the boot-up process is finished, restart the product.



- Place the .chl file in the root directory of the USB drive.
- The product's USB port supports up to 32GB capacity and only works with FAT32 file format.



Turning off the power or removing the USB while the USB LED is still blinking during the update will cause partial or total firmware failure in the targeted fixture(s). If this occurs, the user will need the UPLOAD 08 device to fix this. Please contact Chauvet regarding this device.

Mounting

Before mounting the product, read and follow the safety recommendations indicated in the [Safety Notes](#). For the Chauvet Professional line of mounting clamps, go to <http://trusst.com/products/>.



The tilt lock is not intended for use during shipping or transportation. It is solely for maintenance purposes.

Orientation

Always mount this product in a safe position, making sure there is adequate room for ventilation, configuration, and maintenance.

Rigging

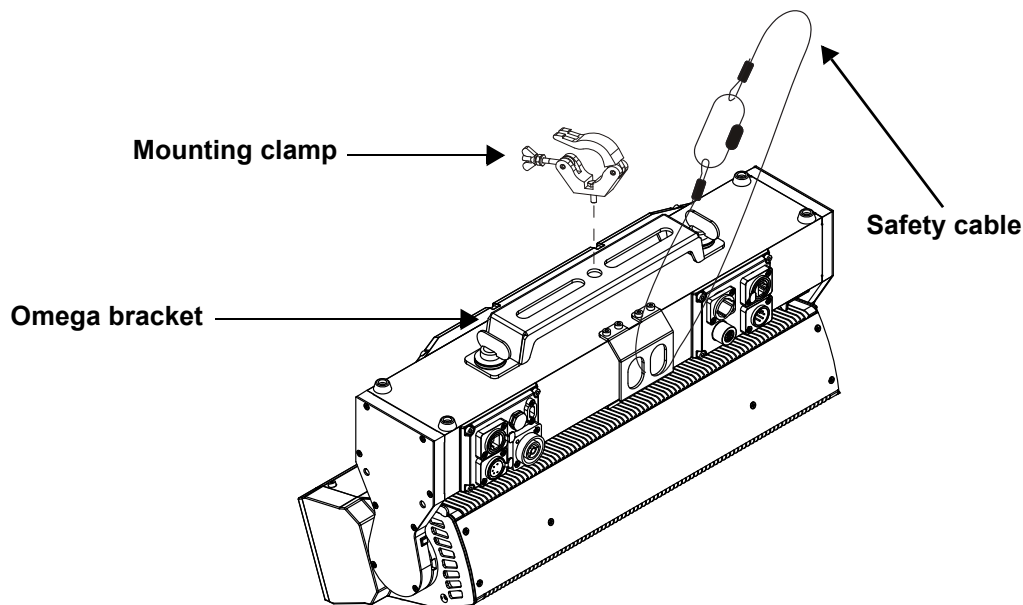
Chauvet recommends using the following general guidelines when mounting this product.

- Before deciding on a location for the product, always make sure there is easy access to the product for maintenance and programming.
- Make sure that the structure and attachment points can support the weight before hanging the product (see the [Technical Specifications](#)).
- When mounting the product overhead, always use a safety cable. Mount the product securely to a rigging point, whether an elevated platform or a truss.
- When rigging the product onto a truss, use a mounting clamp of appropriate weight capacity.
- When power linking multiple products, mount the products close enough for power-linking cables to reach.

Procedure

The COLORado PXL Bar 8 comes with a bracket to which the user can attach a mounting clamp directly. Mounting clamps are sold separately. Make sure the clamps are capable of supporting the weight of this product. For the Chauvet Professional line of mounting clamps, go to <http://www.trusst.com/products>.

Mounting Diagram



4. Operation

Control Panel Operation

Button	Function
<MENU>	Exits from the current menu or function
<ENTER>	Enables the currently displayed menu or sets the currently selected value in to the current function
<UP>	Navigates upward through the menu list or increases the numeric value when in a function
<DOWN>	Navigates downward through the menu list or decreases the numeric value when in a function

Protocol Configuration

The COLORado PXL Bar 8 can be set to respond to DMX, Art-Net™, sACN, Kling-Net, or a combination of these protocols. The protocol configuration must be set for the product to respond correctly to the controller(s).

Control Personalities

The following control personalities are available on the COLORado PXL Bar 8:

Single Control Mode	Dual Control Mode Movement	Dual Control Mode Pixels
Basic (19 channels)	Basic (7 channels)	Basic (24 channels)
Standard (51 channels)	Standard (19 channels)	Standard (32 channels)
Advanced (89 channels)	Advanced (25 channels)	Advanced (64 channels)
Tour (105 channels) Uses DMX, Art-Net™, or sACN	Uses DMX, Art-Net™, or sACN	Uses DMX, Art-Net™, sACN, or Kling-Net

Single Control

In Single Control mode, the COLORado PXL Bar 8 is controlled by a single protocol input. Choose from DMX, Art-Net™, or sACN. In this mode, the four personalities available are: **Basic** (19 channels), **Standard** (51 channels), **Advanced** (89 channels), and **Tour** (105 channels).

Single Control Protocol

To select the Single Control protocol, follow the instructions below:

1. Go to the **Address** main level.
2. Select **Single Control**.
3. Choose from the following: **DMX**, **ArtNet**, or **sACN**.

Single Control Personality

To select the Single Control personality, do the following:

1. Set the protocol.
2. Select **Personality**.
3. Choose from the following: **Basic** (19 channels), **Standard** (51 channels), **Advanced** (89 channels), or **Tour** (105 channels).

Single Control Start Address

To set the starting address of the Single Control mode, follow the instructions below:

1. Set the protocol.
2. Select **Start Address**.
3. Set the desired starting address, from **0** to **512**.

Single Control Universe

To set the universe address of the Single Control mode when using Art-Net™ or sACN, do the following:

1. Set the protocol.
2. Select **Universe**.
3. Set the desired universe address, from **0** to **255**.

Operation

Dual Control

In Dual Control mode, the COLORado PXL Bar 8 is controlled by two protocol inputs: one controls the movement, zoom, dimmers, and shutters, whereas the other one controls the individual LED output.

Dual Control Movement

The Movement protocol controls the movement of the bar and zoom, and the dimmers and shutters. Choose from DMX, Art-Net™, or sACN. In this mode, the three personalities available are: **Basic** (7 channels), **Standard** (19 channels), and **Advanced** (25 channels).

Dual control movement protocol

To select the Dual Control Movement protocol, follow the instructions below:

1. Go to the **Address** main level.
2. Select **Dual Control**.
3. Select **Movement**.
4. Choose from the following: **DMX**, **ArtNet**, or **sACN**.

Dual control movement personality

To select the Dual Control Movement personality, do the following:

1. Set the protocol.
2. Select **Personality**.
3. Choose from the following: **Basic** (7 channels), **Standard** (19 channels), or **Advanced** (25 channels).

Dual control movement start address

To set the starting address of the Dual Control Movement mode, follow the instructions below:

1. Set the protocol.
2. Select **Start Address**.
3. Set the desired starting address, from **0** to **512**.

Dual control movement universe

To set the universe address of the Dual Control Movement mode when using Art-Net™ or sACN, do the following:

1. Set the protocol.
2. Select **Universe**.
3. Set the desired universe address, from **0** to **255**.

Dual Control Pixels

The Pixels protocol controls the individual output of the LEDs. Choose from DMX, Art-Net™, sACN, or Kling-Net. In this mode, the three personalities available are: **Basic** (24 channels), **Standard** (32 channels), and **Advanced** (64 channels).

Dual control pixels protocol

To select the Dual Control Pixels protocol, follow the instructions below:

1. Go to the **Address** main level.
2. Select **Dual Control**.
3. Select **Pixels**.
4. Choose from the following: **DMX**, **ArtNet**, **sACN**, or **Kling-Net**.

Dual control pixels personality

To select the Dual Control Pixels personality, do the following:

1. Set the protocol.
2. Select **Personality**.
3. Choose from the following: **Basic** (24 channels), **Standard** (32 channels), or **Advanced** (64 channels).

Dual control movement start address

To set the starting address of the Dual Control Pixels mode, follow the instructions below:

1. Set the protocol.
2. Select **Start Address**.
3. Set the desired starting address, from **0** to **512**.

Dual control movement universe

To set the universe address of the Dual Control Pixels mode when using Art-Net™ or sACN, do the following:

1. Set the protocol.
2. Select **Universe**.
3. Set the desired universe address, from **0** to **255**.

Menu Map

Refer to the COLORado PXL Bar 8 product page on www.chauvetprofessional.com for the latest menu map.

Programming Levels				Description	
Address				Address Main Level	
Address	Single Control	DMX	Personality	Basic	Sets the DMX personality (see Control Personalities)
				Standard	
				Advanced	
				Tour	
		Start Address	0-512	Sets the DMX starting address	
		ArtNet	Personality	Basic	Sets the Art-Net™ personality (see Control Personalities)
				Standard	
				Advanced	
				Tour	
	Start Address		0-512	Sets the Art-Net™ starting address	
	Universe	0-255	Sets the Art-Net™ universe		
	sACN	Personality	Basic	Sets the sACN personality (see Control Personalities)	
			Standard		
			Advanced		
			Tour		
		Start Address	0-512	Sets the sACN starting address	
	Universe	0-255	Sets the sACN universe		
	Dual Control	Movement	DMX	Personality	Basic
Standard					
Advanced					
Start Address					0-512
ArtNet			Personality	Basic	Sets the Art-Net™ personality (see Control Personalities)
				Standard	
				Advanced	
				Start Address	
			Universe	0-255	Sets the Art-Net™ universe
sACN		Personality	Basic	Sets the sACN personality (see Control Personalities)	
			Standard		
			Advanced		
			Start Address		0-512
		Universe	0-255	Sets the sACN universe	
Pixels		DMX	Personality	Basic	Sets the DMX personality (see Control Personalities)
				Standard	
				Advanced	
				Start Address	
	ArtNet	Personality	Basic	Sets the Art-Net™ personality (see Control Personalities)	
			Standard		
			Advanced		
			Start Address		0-512
		Universe	0-255	Sets the Art-Net™ universe	
sACN	Personality	Basic	Sets the sACN personality (see Control Personalities)		
		Standard			
		Advanced			
		Start Address		0-512	Sets the sACN starting address
	Universe	0-255	Sets the sACN universe		
KlingNet	Personality	Basic	Sets the Kling-Net personality (see Control Personalities)		
		Standard			

Main Level	Programming Levels		Description	
Run Mode	Auto Test		Auto test all functions	
	Manual Test	Tilt	000–255	Manually control and test all settings through the control panel
		P/T Speed		
		Red		
		Green		
		Blue		
		White		
		CTC		
		Color		
		Pattern		
		LED Macro		
		LED Ma. Speed		
		LED Ma. Fade		
		Background		
		Background Dim.		
Dimmer				
Shutter				
Function				
Zoom1				
Zoom2				
Setup	IP Mode		Manually sets IP address	
			DHCP	Network sets IP address
			Static	Product sets IP address
	IP	IP Byte 1–4	000–255	Sets IP address in manual mode
	SMK	SubMask 1–4	000–255	Sets Subnet Mask in manual mode
	Tilt Reverse	NO		Normal tilt
		YES		Reversed tilt
	Tilt Function	OFF		Enables/disables tilt
		ON		
	Zoom Reverse	NO		Normal zoom
		YES		Reversed zoom
	Screen Reverse	NO		Normal display
		YES		Inverted display
		AUTO		Automatic display orientation
	Tilt Angle	200		200° tilt range
		180		180° tilt range
		60		60° tilt range
	BL. O. T Move	NO		Do not blackout while tilt
		YES		Blackout while tilt
	Backlight Timer	30S		Display turns off after 30 seconds
		1M		Display turns off after 1 minute
		5M		Display turns off after 5 minutes
		ON		Display stays on
	Loss of Data	Hold		Holds last signal received
		Close		Blacks out fixture
	Fans	Auto		Fan speed according to product temperature
		Full		Fan speed set on high
ECO		Quiet mode		
Defrost Fan	OFF		Activate defrost fan	
	ON		Deactivate defrost fan	
C Mixing Mode	RGBW		RGBW mode (additive)	
	CMY		CMY mode (subtractive)	
Dimmer Curve	Linear		Set the dimmer curve	
	Square			
	I Squa			
	SCurve			

Main Level	Programming Levels		Description	
Setup	Dimmer Speed	Smooth	Set the dimmer speed	
		Fast		
	PWM Option	600Hz	Sets the Pulse Width Modulation frequency	
		1200Hz		
		2000Hz		
		4000Hz		
		6000Hz		
		15000Hz		
	Cell Order	1–16	Light activates from left to right	
		16–1	Light activates from right to left	
	Calibrated White	ON	Default light output temperature set to 7500K	
		OFF	Deactivates calibrated white setting	
		Custom	Adjusts light output temperature using White Balance setting	
	White Balance	Red	000–255	Sets red LED maximum value
		Green		Sets green LED maximum value
		Blue		Sets blue LED maximum value
		White		Sets white LED maximum value
Preset Select	PRESET A PRESET B PRESET C	Recorded preset menu options		
Preset Sync	NO	Allows recorded preset menu options to be transferred to other COLORado PXL Bar 8 in the DMX daisy chain		
	YES			
USB Update	NO	Enables/disables updating by USB		
	YES			
Reset Function	Tilt	NO	Reset individual functions or all functions from startup	
		YES		
	Zoom	NO		
		YES		
All	NO			
	YES			
Factory Settings	NO	Reset to factory default settings		
	YES			
Information	Firmware Version	V_	Shows firmware version	
	Running Mode	---	Shows current running mode	
	Address	---	Shows current starting address	
	Temperature	---	Shows current product temperature in °C	
	Fixture Time	-----	Shows number of hours product has been powered on	
	LED Hours	-----	Shows total hours the LED has been powered on	
	ArtNet Info	Ip	---:---:---:---	Shows current IP address
		SubMask	---:---:---:---	Shows current Subnet Mask
		MAC	---:---:---:---	Shows current MAC address
	Device UID	-----	Shows product UID	
	Fan Information	Head Fan 1–5	----	Shows speed of head fans 1–5 in rpm
		Defrost Fan 1	----	Shows speed of defrost fan in rpm
		Base Fan 1	----	Shows speed of base fan in rpm

Operation

DMX Values

Single Control Mode

B = Basic (19 channels), S = Standard (51), A = Advanced (89), T = Tour (105)

B	S	A	T	Function	Value	Percent/Setting
1	1	1	1	Tilt	000 ⇔ 255	0–100%
2	2	2	2	Fine tilt	000 ⇔ 255	0–100%
3	3	3	3	Tilt speed	000 ⇔ 255	0–100%
4	4	4	4	CTC	000	No function
					001 ⇔ 255	Color temperature, 1900–2700 K
5	5	5	5	Color	000 ⇔ 255	See Color Chart
6	6	6	6	Patterns (see Patterns)	000	No function
					001 ⇔ 215	Pattern 1–215
					216 ⇔ 255	No function
7	7	7	7	LED macro	000 ⇔ 255	See LED Macro
8	8	8	8	LED macro speed	000 ⇔ 127	Auto speed, fast to slow clockwise
					128	Stop
					129 ⇔ 255	Auto speed, slow to fast counterclockwise
9	9	9	9	LED macro delay	000 ⇔ 255	Fast to slow
10	10	10	10	Background color	000 ⇔ 255	See Color Chart
11	11	11	11	Background color dimmer	000 ⇔ 255	0–100%
–	–	12	12	Background color fine dimmer	000 ⇔ 255	0–100%
12	12	13	13	Dimmer	000 ⇔ 255	0–100%
–	–	14	14	Fine dimmer	000 ⇔ 255	0–100%
13	13	15	15	Strobe	000 ⇔ 255	see Strobe Settings
14	14	16	16	Zoom	000 ⇔ 255	Zoom in to zoom out
15	15	17	17	Control (*hold for 5 seconds then release)	000 ⇔ 255	see Control Settings
16	16	18	18	Main red	000 ⇔ 255	RGBW Mode: 0–100% / CMY Mode: 100–0%
–	–	19	19	Main fine red	000 ⇔ 255	RGBW Mode: 0–100% / CMY Mode: 100–0%
17	17	20	20	Main green	000 ⇔ 255	RGBW Mode: 0–100% / CMY Mode: 100–0%
–	–	21	21	Main fine green	000 ⇔ 255	RGBW Mode: 0–100% / CMY Mode: 100–0%
18	18	22	22	Main blue	000 ⇔ 255	RGBW Mode: 0–100% / CMY Mode: 100–0%
–	–	23	23	Main fine blue	000 ⇔ 255	RGBW Mode: 0–100% / CMY Mode: 100–0%
19	19	24	24	Main white	000 ⇔ 255	RGBW Mode: 0–100% / CMY Mode: 100–0%
–	–	25	25	Main fine white	000 ⇔ 255	RGBW Mode: 0–100% / CMY Mode: 100–0%
–	–	–	26	Dimmer 1	000 ⇔ 255	0–100%
–	–	–	27	Fine dimmer 1	000 ⇔ 255	0–100%
–	20	26	28	Red 1 Cyan 1	000 ⇔ 255	RGBW Mode: 0–100% / CMY Mode: 100–0%
–	–	27	29	Fine red 1 Fine cyan 1	000 ⇔ 255	RGBW Mode: 0–100% / CMY Mode: 100–0%
–	21	28	30	Green 1 Magenta 1	000 ⇔ 255	RGBW Mode: 0–100% / CMY Mode: 100–0%
–	–	29	31	Fine green 1 Fine magenta 1	000 ⇔ 255	RGBW Mode: 0–100% / CMY Mode: 100–0%
–	22	30	32	Blue 1 Yellow 1	000 ⇔ 255	RGBW Mode: 0–100% / CMY Mode: 100–0%
–	–	31	33	Fine blue 1 Fine yellow 1	000 ⇔ 255	RGBW Mode: 0–100% / CMY Mode: 100–0%
–	23	32	34	White 1	000 ⇔ 255	RGBW Mode: 0–100% / CMY Mode: 100–0%
–	–	33	35	Fine white 1	000 ⇔ 255	RGBW Mode: 0–100% / CMY Mode: 100–0%
–	–	–	36	Dimmer 2	000 ⇔ 255	0–100%
–	–	–	37	Fine dimmer 2	000 ⇔ 255	0–100%
–	24	34	38	Red 2 Cyan 2	000 ⇔ 255	RGBW Mode: 0–100% / CMY Mode: 100–0%
–	–	35	39	Fine red 2 Fine cyan 2	000 ⇔ 255	RGBW Mode: 0–100% / CMY Mode: 100–0%
–	25	36	40	Green 2 Magenta 2	000 ⇔ 255	RGBW Mode: 0–100% / CMY Mode: 100–0%
–	–	37	41	Fine green 2 Fine magenta 2	000 ⇔ 255	RGBW Mode: 0–100% / CMY Mode: 100–0%
–	26	38	42	Blue 2 Yellow 2	000 ⇔ 255	RGBW Mode: 0–100% / CMY Mode: 100–0%
–	–	39	43	Fine blue 2 Fine yellow 2	000 ⇔ 255	RGBW Mode: 0–100% / CMY Mode: 100–0%

B	S	A	T	Function	Value	Percent/Setting
-	27	40	44	White 2	000 ⇔ 255	RGBW Mode: 0–100% / CMY Mode: 100–0%
-	-	41	45	Fine white 2	000 ⇔ 255	RGBW Mode: 0–100% / CMY Mode: 100–0%
-	-	-	46	Dimmer 3	000 ⇔ 255	0–100%
-	-	-	47	Fine dimmer 3	000 ⇔ 255	0–100%
-	28	42	48	Red 3 Cyan 3	000 ⇔ 255	RGBW Mode: 0–100% / CMY Mode: 100–0%
-	-	43	49	Fine red 3 Fine cyan 3	000 ⇔ 255	RGBW Mode: 0–100% / CMY Mode: 100–0%
-	29	44	50	Green 3 Magenta 3	000 ⇔ 255	RGBW Mode: 0–100% / CMY Mode: 100–0%
-	-	45	51	Fine green 3 Fine magenta 3	000 ⇔ 255	RGBW Mode: 0–100% / CMY Mode: 100–0%
-	30	46	52	Blue 3 Yellow 3	000 ⇔ 255	RGBW Mode: 0–100% / CMY Mode: 100–0%
-	-	47	53	Fine blue 3 Fine yellow 3	000 ⇔ 255	RGBW Mode: 0–100% / CMY Mode: 100–0%
-	31	48	54	White 3	000 ⇔ 255	RGBW Mode: 0–100% / CMY Mode: 100–0%
-	-	49	55	Fine white 3	000 ⇔ 255	RGBW Mode: 0–100% / CMY Mode: 100–0%
-	-	-	56	Dimmer 4	000 ⇔ 255	0–100%
-	-	-	57	Fine dimmer 4	000 ⇔ 255	0–100%
-	32	50	58	Red 4 Cyan 4	000 ⇔ 255	RGBW Mode: 0–100% / CMY Mode: 100–0%
-	-	51	59	Fine red 4 Fine cyan 4	000 ⇔ 255	RGBW Mode: 0–100% / CMY Mode: 100–0%
-	33	52	60	Green 4 Magenta 4	000 ⇔ 255	RGBW Mode: 0–100% / CMY Mode: 100–0%
-	-	53	61	Fine green 4 Fine magenta 4	000 ⇔ 255	RGBW Mode: 0–100% / CMY Mode: 100–0%
-	34	54	62	Blue 4 Yellow 4	000 ⇔ 255	RGBW Mode: 0–100% / CMY Mode: 100–0%
-	-	55	63	Fine blue 4 Fine yellow 4	000 ⇔ 255	RGBW Mode: 0–100% / CMY Mode: 100–0%
-	35	56	64	White 4	000 ⇔ 255	RGBW Mode: 0–100% / CMY Mode: 100–0%
-	-	57	65	Fine white 4	000 ⇔ 255	RGBW Mode: 0–100% / CMY Mode: 100–0%
-	-	-	66	Dimmer 5	000 ⇔ 255	0–100%
-	-	-	67	Fine dimmer 5	000 ⇔ 255	0–100%
-	36	58	68	Red 5 Cyan 5	000 ⇔ 255	RGBW Mode: 0–100% / CMY Mode: 100–0%
-	-	59	69	Fine red 5 Fine cyan 5	000 ⇔ 255	RGBW Mode: 0–100% / CMY Mode: 100–0%
-	37	60	70	Green 5 Magenta 5	000 ⇔ 255	RGBW Mode: 0–100% / CMY Mode: 100–0%
-	-	61	71	Fine green 5 Fine magenta 5	000 ⇔ 255	RGBW Mode: 0–100% / CMY Mode: 100–0%
-	38	62	72	Blue 5 Yellow 5	000 ⇔ 255	RGBW Mode: 0–100% / CMY Mode: 100–0%
-	-	63	73	Fine blue 5 Fine yellow 5	000 ⇔ 255	RGBW Mode: 0–100% / CMY Mode: 100–0%
-	39	64	74	White 5	000 ⇔ 255	RGBW Mode: 0–100% / CMY Mode: 100–0%
-	-	65	75	Fine white 5	000 ⇔ 255	RGBW Mode: 0–100% / CMY Mode: 100–0%
-	-	-	76	Dimmer 6	000 ⇔ 255	0–100%
-	-	-	77	Fine dimmer 6	000 ⇔ 255	0–100%
-	40	66	78	Red 6 Cyan 6	000 ⇔ 255	RGBW Mode: 0–100% / CMY Mode: 100–0%
-	-	67	79	Fine red 6 Fine cyan 6	000 ⇔ 255	RGBW Mode: 0–100% / CMY Mode: 100–0%
-	41	68	80	Green 6 Magenta 6	000 ⇔ 255	RGBW Mode: 0–100% / CMY Mode: 100–0%
-	-	69	81	Fine green 6 Fine magenta 6	000 ⇔ 255	RGBW Mode: 0–100% / CMY Mode: 100–0%
-	42	70	82	Blue 6 Yellow 6	000 ⇔ 255	RGBW Mode: 0–100% / CMY Mode: 100–0%
-	-	71	83	Fine blue 6 Fine yellow 6	000 ⇔ 255	RGBW Mode: 0–100% / CMY Mode: 100–0%
-	43	72	84	White 6	000 ⇔ 255	RGBW Mode: 0–100% / CMY Mode: 100–0%
-	-	73	85	Fine white 6	000 ⇔ 255	RGBW Mode: 0–100% / CMY Mode: 100–0%
-	-	-	86	Dimmer 7	000 ⇔ 255	0–100%
-	-	-	87	Fine dimmer 7	000 ⇔ 255	0–100%
-	44	74	88	Red 7 Cyan 7	000 ⇔ 255	RGBW Mode: 0–100% / CMY Mode: 100–0%
-	-	75	89	Fine red 7 Fine cyan 7	000 ⇔ 255	RGBW Mode: 0–100% / CMY Mode: 100–0%
-	45	76	90	Green 7 Magenta 7	000 ⇔ 255	RGBW Mode: 0–100% / CMY Mode: 100–0%
-	-	77	91	Fine green 7 Fine magenta 7	000 ⇔ 255	RGBW Mode: 0–100% / CMY Mode: 100–0%
-	46	78	92	Blue 7 Yellow 7	000 ⇔ 255	RGBW Mode: 0–100% / CMY Mode: 100–0%
-	-	79	93	Fine blue 7 Fine yellow 7	000 ⇔ 255	RGBW Mode: 0–100% / CMY Mode: 100–0%
-	47	80	94	White 7	000 ⇔ 255	RGBW Mode: 0–100% / CMY Mode: 100–0%
-	-	81	95	Fine white 7	000 ⇔ 255	RGBW Mode: 0–100% / CMY Mode: 100–0%
-	-	-	96	Dimmer 8	000 ⇔ 255	0–100%

B	S	A	T	Function	Value	Percent/Setting
-	-	-	97	Fine dimmer 8	000 ⇔ 255	0–100%
-	48	82	98	Red 8 Cyan 8	000 ⇔ 255	RGBW Mode: 0–100% / CMY Mode: 100–0%
-	-	83	99	Fine red 8 Fine cyan 8	000 ⇔ 255	RGBW Mode: 0–100% / CMY Mode: 100–0%
-	49	84	100	Green 8 Magenta 8	000 ⇔ 255	RGBW Mode: 0–100% / CMY Mode: 100–0%
-	-	85	101	Fine green 8 Fine magenta 8	000 ⇔ 255	RGBW Mode: 0–100% / CMY Mode: 100–0%
-	50	86	102	Blue 8 Yellow 8	000 ⇔ 255	RGBW Mode: 0–100% / CMY Mode: 100–0%
-	-	87	103	Fine blue 8 Fine yellow 8	000 ⇔ 255	RGBW Mode: 0–100% / CMY Mode: 100–0%
-	51	88	104	White 8	000 ⇔ 255	RGBW Mode: 0–100% / CMY Mode: 100–0%
-	-	89	105	Fine white 8	000 ⇔ 255	RGBW Mode: 0–100% / CMY Mode: 100–0%



The “Single Control: Basic” personality of the COLORado PXL Bar 8 exactly matches the “Single Control: Basic2” personality of the COLORado PXL Bar 16.

Dual Control Mode – Movement

B = Basic (7 channels), S = Standard (19), A = Advanced (25)

B	S	A	Function	Value	Percent/Setting
1	1	1	Tilt	000 ⇔ 255	0–100%
2	2	2	Fine tilt	000 ⇔ 255	0–100%
3	3	3	Tilt speed	000 ⇔ 255	0–100%
-	4	4	CTC	000	No function
-	-	-		001 ⇔ 255	Color temperature, 1900–2700 K
-	5	5	Color	000 ⇔ 255	see Color Chart
-	6	6	Patterns (see Patterns)	000	No function
-				001 ⇔ 215	Pattern 1–215
-				216 ⇔ 255	No function
-	7	7	LED macro	000 ⇔ 255	see LED Macro
-	8	8	LED macro speed	000 ⇔ 127	Auto speed, fast to slow clockwise
-				128	Stop
-				129 ⇔ 255	Auto speed, slow to fast counterclockwise
-	9	9	LED macro delay	000 ⇔ 255	Fast to slow
-	10	10	Background color	000 ⇔ 255	see Color Chart
-	11	11	Background color dimmer	000 ⇔ 255	0–100%
-	-	12	Background color fine dimmer	000 ⇔ 255	0–100%
4	12	13	Dimmer	000 ⇔ 255	0–100%
-	-	14	Fine dimmer	000 ⇔ 255	0–100%
5	13	13	Strobe	000 ⇔ 255	see Strobe Settings
6	14	14	Zoom	000 ⇔ 255	Zoom in to zoom out
7	15	15	Control (*hold for 5 seconds then release)	000 ⇔ 255	see Control Settings
-	16	18	Red	000 ⇔ 255	RGBW Mode: 0–100% / CMY Mode: 100–0%
-	-	19	Fine red	000 ⇔ 255	RGBW Mode: 0–100% / CMY Mode: 100–0%
-	17	20	Green	000 ⇔ 255	RGBW Mode: 0–100% / CMY Mode: 100–0%
-	-	21	Fine green	000 ⇔ 255	RGBW Mode: 0–100% / CMY Mode: 100–0%
-	18	22	Blue	000 ⇔ 255	RGBW Mode: 0–100% / CMY Mode: 100–0%
-	-	23	Fine blue	000 ⇔ 255	RGBW Mode: 0–100% / CMY Mode: 100–0%
-	19	24	White	000 ⇔ 255	RGBW Mode: 0–100% / CMY Mode: 100–0%
-	-	25	Fine white	000 ⇔ 255	RGBW Mode: 0–100% / CMY Mode: 100–0%



The “Dual Control Movement: Basic” personality of the COLORado PXL Bar 8 exactly matches the “Dual Control Movement: Basic2” personality of the COLORado PXL Bar 16.

Dual Control Mode – LED
B = Basic (24 channels), **S** = Standard (32), **A** = Advanced (64)

B	S	A	Function		Value	Percent/Setting
1	1	1	Red 1	Cyan 1	000 ⇄ 255	RGBW Mode: 0–100% / CMY Mode: 100–0%
–	–	2	Fine red 1	Fine cyan 1	000 ⇄ 255	RGBW Mode: 0–100% / CMY Mode: 100–0%
2	2	3	Green 1	Magenta 1	000 ⇄ 255	RGBW Mode: 0–100% / CMY Mode: 100–0%
–	–	4	Fine green 1	Fine magenta 1	000 ⇄ 255	RGBW Mode: 0–100% / CMY Mode: 100–0%
3	3	5	Blue 1	Yellow 1	000 ⇄ 255	RGBW Mode: 0–100% / CMY Mode: 100–0%
–	–	6	Fine blue 1	Fine yellow 1	000 ⇄ 255	RGBW Mode: 0–100% / CMY Mode: 100–0%
–	4	7	White 1		000 ⇄ 255	RGBW Mode: 0–100% / CMY Mode: 100–0%
–	–	8	Fine white 1		000 ⇄ 255	RGBW Mode: 0–100% / CMY Mode: 100–0%
4	5	9	Red 2	Cyan 2	000 ⇄ 255	RGBW Mode: 0–100% / CMY Mode: 100–0%
–	–	10	Fine red 2	Fine cyan 2	000 ⇄ 255	RGBW Mode: 0–100% / CMY Mode: 100–0%
5	6	11	Green 2	Magenta 2	000 ⇄ 255	RGBW Mode: 0–100% / CMY Mode: 100–0%
–	–	12	Fine green 2	Fine magenta 2	000 ⇄ 255	RGBW Mode: 0–100% / CMY Mode: 100–0%
6	7	13	Blue 2	Yellow 2	000 ⇄ 255	RGBW Mode: 0–100% / CMY Mode: 100–0%
–	–	14	Fine blue 2	Fine yellow 2	000 ⇄ 255	RGBW Mode: 0–100% / CMY Mode: 100–0%
–	8	15	White 2		000 ⇄ 255	RGBW Mode: 0–100% / CMY Mode: 100–0%
–	–	16	Fine white 2		000 ⇄ 255	RGBW Mode: 0–100% / CMY Mode: 100–0%
7	9	17	Red 3	Cyan 3	000 ⇄ 255	RGBW Mode: 0–100% / CMY Mode: 100–0%
–	–	18	Fine red 3	Fine cyan 3	000 ⇄ 255	RGBW Mode: 0–100% / CMY Mode: 100–0%
8	10	19	Green 3	Magenta 3	000 ⇄ 255	RGBW Mode: 0–100% / CMY Mode: 100–0%
–	–	20	Fine green 3	Fine magenta 3	000 ⇄ 255	RGBW Mode: 0–100% / CMY Mode: 100–0%
9	11	21	Blue 3	Yellow 3	000 ⇄ 255	RGBW Mode: 0–100% / CMY Mode: 100–0%
–	–	22	Fine blue 3	Fine yellow 3	000 ⇄ 255	RGBW Mode: 0–100% / CMY Mode: 100–0%
–	12	23	White 3		000 ⇄ 255	RGBW Mode: 0–100% / CMY Mode: 100–0%
–	–	24	Fine white 3		000 ⇄ 255	RGBW Mode: 0–100% / CMY Mode: 100–0%
10	13	25	Red 4	Cyan 4	000 ⇄ 255	RGBW Mode: 0–100% / CMY Mode: 100–0%
–	–	26	Fine red 4	Fine cyan 4	000 ⇄ 255	RGBW Mode: 0–100% / CMY Mode: 100–0%
11	14	27	Green 4	Magenta 4	000 ⇄ 255	RGBW Mode: 0–100% / CMY Mode: 100–0%
–	–	28	Fine green 4	Fine magenta 4	000 ⇄ 255	RGBW Mode: 0–100% / CMY Mode: 100–0%
12	15	29	Blue 4	Yellow 4	000 ⇄ 255	RGBW Mode: 0–100% / CMY Mode: 100–0%
–	–	30	Fine blue 4	Fine yellow 4	000 ⇄ 255	RGBW Mode: 0–100% / CMY Mode: 100–0%
–	16	31	White 4		000 ⇄ 255	RGBW Mode: 0–100% / CMY Mode: 100–0%
–	–	32	Fine white 4		000 ⇄ 255	RGBW Mode: 0–100% / CMY Mode: 100–0%
13	17	33	Red 5	Cyan 5	000 ⇄ 255	RGBW Mode: 0–100% / CMY Mode: 100–0%
–	–	34	Fine red 5	Fine cyan 5	000 ⇄ 255	RGBW Mode: 0–100% / CMY Mode: 100–0%
14	18	35	Green 5	Magenta 5	000 ⇄ 255	RGBW Mode: 0–100% / CMY Mode: 100–0%
–	–	36	Fine green 5	Fine magenta 5	000 ⇄ 255	RGBW Mode: 0–100% / CMY Mode: 100–0%
15	19	37	Blue 5	Yellow 5	000 ⇄ 255	RGBW Mode: 0–100% / CMY Mode: 100–0%
–	–	38	Fine blue 5	Fine yellow 5	000 ⇄ 255	RGBW Mode: 0–100% / CMY Mode: 100–0%
–	20	39	White 5		000 ⇄ 255	RGBW Mode: 0–100% / CMY Mode: 100–0%
–	–	40	Fine white 5		000 ⇄ 255	RGBW Mode: 0–100% / CMY Mode: 100–0%
16	21	41	Red 6	Cyan 6	000 ⇄ 255	RGBW Mode: 0–100% / CMY Mode: 100–0%
–	–	42	Fine red 6	Fine cyan 6	000 ⇄ 255	RGBW Mode: 0–100% / CMY Mode: 100–0%
17	22	43	Green 6	Magenta 6	000 ⇄ 255	RGBW Mode: 0–100% / CMY Mode: 100–0%
–	–	44	Fine green 6	Fine magenta 6	000 ⇄ 255	RGBW Mode: 0–100% / CMY Mode: 100–0%
18	23	45	Blue 6	Yellow 6	000 ⇄ 255	RGBW Mode: 0–100% / CMY Mode: 100–0%
–	–	46	Fine blue 6	Fine yellow 6	000 ⇄ 255	RGBW Mode: 0–100% / CMY Mode: 100–0%
–	24	47	White 6		000 ⇄ 255	RGBW Mode: 0–100% / CMY Mode: 100–0%

B	S	A	Function	Value	Percent/Setting
-	-	48	Fine white 6	000 ⇄ 255	RGBW Mode: 0–100% / CMY Mode: 100–0%
19	25	49	Red 7 Cyan 7	000 ⇄ 255	RGBW Mode: 0–100% / CMY Mode: 100–0%
-	-	50	Fine red 7 Fine cyan 7	000 ⇄ 255	RGBW Mode: 0–100% / CMY Mode: 100–0%
20	26	51	Green 7 Magenta 7	000 ⇄ 255	RGBW Mode: 0–100% / CMY Mode: 100–0%
-	-	52	Fine green 7 Fine magenta 7	000 ⇄ 255	RGBW Mode: 0–100% / CMY Mode: 100–0%
21	27	53	Blue 7 Yellow 7	000 ⇄ 255	RGBW Mode: 0–100% / CMY Mode: 100–0%
-	-	54	Fine blue 7 Fine yellow 7	000 ⇄ 255	RGBW Mode: 0–100% / CMY Mode: 100–0%
-	-	55	White 7	000 ⇄ 255	RGBW Mode: 0–100% / CMY Mode: 100–0%
-	-	56	Fine white 7	000 ⇄ 255	RGBW Mode: 0–100% / CMY Mode: 100–0%
22	29	57	Red 8 Cyan 8	000 ⇄ 255	RGBW Mode: 0–100% / CMY Mode: 100–0%
-	-	58	Fine red 8 Fine cyan 8	000 ⇄ 255	RGBW Mode: 0–100% / CMY Mode: 100–0%
23	30	59	Green 8 Magenta 8	000 ⇄ 255	RGBW Mode: 0–100% / CMY Mode: 100–0%
-	-	60	Fine green 8 Fine magenta 8	000 ⇄ 255	RGBW Mode: 0–100% / CMY Mode: 100–0%
24	31	61	Blue 8 Yellow 8	000 ⇄ 255	RGBW Mode: 0–100% / CMY Mode: 100–0%
-	-	62	Fine blue 8 Fine yellow 8	000 ⇄ 255	RGBW Mode: 0–100% / CMY Mode: 100–0%
-	32	63	White 8	000 ⇄ 255	RGBW Mode: 0–100% / CMY Mode: 100–0%
-	-	64	Fine white 8	000 ⇄ 255	RGBW Mode: 0–100% / CMY Mode: 100–0%

Color Chart

Value	Percent/Setting
000	No function
001 ⇄ 002	White 2700K R = 156 G = 118 B = 0 W = 63
003 ⇄ 004	White 3200K R = 156 G = 141 B = 5 W = 89
005 ⇄ 006	White 4200K R = 156 G = 141 B = 14 W = 255
007 ⇄ 008	White 5600K R = 156 G = 207 B = 54 W = 255
009 ⇄ 010	White 8000K R = 130 G = 255 B = 96 W = 255
011	Blue R = 0 G = 0 B = 255 W = 0
012 ⇄ 048	+ Green R = 0 G = 0–255 B = 255 W = 0
049	Cyan R = 0 G = 255 B = 255 W = 0
050 ⇄ 086	- Blue R = 0 G = 255 B = 255–0 W = 0
087	Green R = 0 G = 255 B = 0 W = 0
088 ⇄ 124	+ Red R = 0–255 G = 255 B = 0 W = 0
125	Yellow R = 255 G = 255 B = 0 W = 0
126 ⇄ 162	- Green R = 255 G = 255–0 B = 0 W = 0
163	Red R = 255 G = 0 B = 0 W = 0
164 ⇄ 200	+ Blue R = 255 G = 0 B = 0–255 W = 0
201	Magenta R = 255 G = 0 B = 255 W = 0
202 ⇄ 238	- Red R = 255–0 G = 0 B = 255 W = 0
239	Blue R = 0 G = 0 B = 255 W = 0
240 ⇄ 247	Color fade, fast to slow
248 ⇄ 255	Color snap, fast to slow

Strobe Settings

Value	Percent/Setting	Value	Percent/Setting
000 ⇔ 019	Off	145 ⇔ 149	On
020 ⇔ 024	On	150 ⇔ 164	Random strobe 0–100%, fast to slow
025 ⇔ 064	Strobe, fast to slow	165 ⇔ 169	On
065 ⇔ 069	On	170 ⇔ 184	Pulse strobe, fast to slow
070 ⇔ 084	Strobe 100–0%, fast to slow	185 ⇔ 189	On
085 ⇔ 089	On	190 ⇔ 204	Random pulse strobe, fast to slow
090 ⇔ 104	Strobe 0–100%, fast to slow	205 ⇔ 209	On
105 ⇔ 109	On	210 ⇔ 224	Strobe 0–100–0%, fast to slow
110 ⇔ 124	Random strobe, fast to slow	225 ⇔ 229	On
125 ⇔ 129	On	230 ⇔ 244	Random pulse strobe, fast to slow
130 ⇔ 144	Random strobe 100–0%, fast to slow	245 ⇔ 255	On

Control Settings

Value	Percent/Setting	Value	Percent/Setting
000 ⇔ 009	No function	082 ⇔ 084	Cell order 1-16
010 ⇔ 014	Blackout on tilt	085 ⇔ 089	Cell order 16-1
015 ⇔ 019	Reserved for future use	090 ⇔ 094	Tilt reverse
020 ⇔ 024	RGBW (additive) color-mixing mode	095 ⇔ 099	Reserved for future use
025 ⇔ 029	CMY (subtractive) color-mixing mode	100 ⇔ 104	Tilt reverse disable
030 ⇔ 039	Reserved for future use	105 ⇔ 119	Reserved for future use
040 ⇔ 044	Defrost fan on	120 ⇔ 124	Fan ECO
045 ⇔ 049	Defrost fan off	125 ⇔ 129	Fan full
050 ⇔ 054	Reserved for future use	130 ⇔ 134	Fan auto
055 ⇔ 059	Tilt reset	135 ⇔ 139	Dimmer fast
060 ⇔ 064	Zoom reset	140 ⇔ 144	Dimmer smooth
065 ⇔ 069	Reserved for future use	145 ⇔ 149	Linear dimmer curve
070 ⇔ 074	Reset all	150 ⇔ 154	Square dimmer curve
075	PWM 600HZ*	155 ⇔ 159	Inverse square dimmer curve
076	PWM 1200HZ*	160 ⇔ 164	S-curve dimmer curve
077	PWM 2000HZ*	165 ⇔ 169	White mode
078	PWM 4000HZ*	170 ⇔ 174	Full mode
079	PWM 6000HZ*	175 ⇔ 239	Color Macro HTP on
080	PWM 15000HZ*	240 ⇔ 247	Color Macros HTP off
081	Reserved for future use	248 ⇔ 255	Reserved for future use

LED Macro

Value	Percent/Setting	Value	Percent/Setting
000 ⇔ 015	No function	136 ⇔ 137	Auto color macro 38
016 ⇔ 017	Color-controllable macro 1	138 ⇔ 139	Auto color macro 39
018 ⇔ 019	Color-controllable macro 2	140 ⇔ 141	Auto color macro 40
020 ⇔ 021	Color-controllable macro 3	142 ⇔ 143	Auto color macro 41
022 ⇔ 023	Color-controllable macro 4	144 ⇔ 145	Auto color macro 42
024 ⇔ 025	Color-controllable macro 5	146 ⇔ 147	Auto color macro 43
026 ⇔ 027	Color-controllable macro 6	148 ⇔ 149	Auto color macro 44
028 ⇔ 029	Color-controllable macro 7	150 ⇔ 151	Auto color macro 45
030 ⇔ 031	Color-controllable macro 8	152 ⇔ 153	Auto color macro 46
032 ⇔ 033	Color-controllable macro 9	154 ⇔ 155	Auto color macro 47
034 ⇔ 035	Color-controllable macro 10	156 ⇔ 157	Auto color macro 48
036 ⇔ 037	Color-controllable macro 11	158 ⇔ 159	Auto color macro 49
038 ⇔ 039	Color-controllable macro 12	160 ⇔ 161	Auto color macro 50
040 ⇔ 041	Color-controllable macro 13	162 ⇔ 163	Auto color macro 51
042 ⇔ 043	Color-controllable macro 14	164 ⇔ 165	Auto color macro 52
044 ⇔ 045	Color-controllable macro 15	166 ⇔ 167	Auto color macro 53
046 ⇔ 047	Color-controllable macro 16	168 ⇔ 169	Auto color macro 54
048 ⇔ 049	Color-controllable macro 17	170 ⇔ 171	Auto color macro 55
050 ⇔ 051	Color-controllable macro 18	172 ⇔ 173	Auto color macro 56
052 ⇔ 053	Color-controllable macro 19	174 ⇔ 175	Auto color macro 57
054 ⇔ 055	Color-controllable macro 20	176 ⇔ 177	Auto color macro 58
056 ⇔ 057	Color-controllable macro 21	178 ⇔ 179	Auto color macro 59
058 ⇔ 059	Color-controllable macro 22	180 ⇔ 181	Auto color macro 60
060 ⇔ 061	Color-controllable macro 23	182 ⇔ 183	Auto color macro 61
062 ⇔ 063	Color-controllable macro 24	184 ⇔ 185	Auto color macro 62
064 ⇔ 065	Color-controllable macro 25	186 ⇔ 187	Auto color macro 63
066 ⇔ 067	Color-controllable macro 26	188 ⇔ 189	Auto color macro 64
068 ⇔ 069	Color-controllable macro 27	190 ⇔ 191	Auto color macro 65
070 ⇔ 071	Color-controllable macro 28	192 ⇔ 193	Auto color macro 66
072 ⇔ 073	Color-controllable macro 29	194 ⇔ 195	Auto color macro 67
074 ⇔ 075	Color-controllable macro 30	196 ⇔ 197	Auto color macro 68
076 ⇔ 077	Color-controllable macro 31	198 ⇔ 199	Auto color macro 69
078 ⇔ 079	Color-controllable macro 32	200 ⇔ 201	Auto color macro 70
080 ⇔ 081	Color-controllable macro 33	202 ⇔ 203	Auto color macro 71
082 ⇔ 083	Color-controllable macro 34	204 ⇔ 205	Auto color macro 72
084 ⇔ 085	Color-controllable macro 35	206 ⇔ 207	Auto color macro 73
086 ⇔ 087	Color-controllable macro 36	208 ⇔ 255	Auto color macro 74 (main macro)
088 ⇔ 135	Color-controllable macro 37 (main macro)		

Patterns

1	○●●●●●●●	44	●○○○●●●●	87	●●○○●●○○	130	●○○○●○○●	173	○●○○○●○●
2	●○●●●●●●	45	●○○○●●●●	88	●●○○●●○○	131	●○○○●○○●	174	○●○○○●●○
3	●●○●●●●●	46	●○○○●●○○	89	●●○○●●○○	132	●○○○●○○●	175	○●●○○○○●
4	●●●○●●●●	47	●○○○●●○○	90	●●●○○○○●	133	●○○○●○○●	176	○●●○○○●○
5	●●●●○●●●	48	●○○○●●○○	91	●●●○○○○○	134	●○○○●○○●	177	○○●○○○○●
6	●●●●●○●●	49	●●○○○○●●	92	●●●○○○○○	135	●○○○●○○●	178	○○●●○○●○
7	●●●●●●○●	50	●●○○○○●●	93	●●●○○○○○	136	●○○○●○○●	179	○○●●●○○○
8	●●●●●●●○	51	●●○○○○●●	94	○○○○●●●●	137	●○○○●○○○	180	○○○●○○●●
9	○○○○○○○○	52	●●○○○○●○	95	○○○●●●●●	138	●○○○●○○○	181	○○○●○●○●
10	○○●●●●●●	53	●●●○○○○●	96	○○○●●●●●	139	●○●○○○○●	182	○○○●○●●○
11	○●○●●●●●	54	●●●○○○○○	97	○○○●●●●●	140	●○●○○○○●	183	○○○●●○○●
12	○●●○●●●●	55	●●●○○○○○	98	○○○●●●●○	141	●○●○○○○○	184	○○○●●○●○
13	○●●●○●●●	56	●●●○○○○○	99	○○●○○○○●	142	●○●○○○○○	185	○○○●●●○○
14	○●●●●○●●	57	●●●○○○○○	100	○○●○○○○●	143	●○●○○○○○	186	○○○○○●●●
15	○●●●●●○●	58	●●●○○○○○	101	○○●○○○○●	144	●○●○○○○○	187	○○○○●●○●
16	○●●●●●●○	59	○●○○○○●●	102	○○●○○○○○	145	●○●○○○○○	188	○○○○●●●○
17	●○●●●●●●	60	○●○●○○●●	103	○○●○○○○●	146	●○●○○○○○	189	●○○●○○○○
18	●○●○●●●●	61	○●○●○○●●	104	○○●○○○○○	147	●○●○○○○○	190	●○○●○○●○
19	●○●●○●●●	62	○●○●○○●○	105	○○●○○○○○	148	●●○○○○●●	191	●○○●●○○○
20	●○●●●○●●	63	○●○●○○●○	106	○○●○○○○○	149	●●○○○○●●	192	●○○○●○○●
21	●○●●●●○●	64	○●●○○○○●	107	○○●○○○○○	150	●●○○○○●○	193	●○○○●●●○
22	●○●●●●●○	65	○●●○○○○○	108	○○●○○○○○	151	●●○○○○●○	194	●○○○●●○○
23	●●○○○○●●	66	○●●○○○○○	109	○●○○○○●●	152	●●○○○○●○	195	●●○○●○○○
24	●●○○○○●○	67	○●●○○○○○	110	○●○○○○●○	153	●●○○○○●○	196	●●○○○●○○
25	●●○○○○○●	68	○●●○○○○○	111	○●○○○○●○	154	●●●○○○○○	197	○○○○○○●●
26	●●○○○○○●	69	○●●○○○○○	112	○●○○○○●○	155	●●●○○○○○	198	○○○○○●○●
27	●●○○○○○○	70	○●●○○○○○	113	○●○○○○●○	156	●●●○○○○○	199	○○○○○●●○
28	●●●○○○○●	71	○●●○○○○○	114	○●○○○○●○	157	●●●○○○○○	200	●○○○○○●●
29	●●●○○○○○	72	○●●○○○○○	115	○●○○○○●○	158	●●●○○○○○	201	●○○○○○●○
30	●●●○○○○○	73	○●●○○○○○	116	○●○○○○●○	159	●●●○○○○○	202	●○●○○○○○
31	●●●○○○○○	74	●○●○○○○○	117	○●○○○○●○	160	●●●○○○○○	203	●○○○○○○○
32	●●●○○○○○	75	●○●○○○○○	118	○●○○○○●○	161	●●●○○○○○	204	○●○○○○○●
33	●●●○○○○○	76	●○●○○○○○	119	○●○○○○●○	162	○○○○○●●●	205	○●○○○○○●
34	●●●○○○○○	77	●○●○○○○○	120	○●○○○○●○	163	○○○○○●○●	206	○●●○○○○○
35	●●●○○○○○	78	●○●○○○○○	121	○●○○○○●○	164	○○○○○●○●	207	○●○●○○○○
36	●●●○○○○○	79	●○●○○○○○	122	○●○○○○●○	165	○○○○○●●○	208	○○○○○○○●
37	●●●○○○○○	80	●○●○○○○○	123	○●○○○○●○	166	●○○○○○●●	209	○○○○○○○●
38	○○●●●●●●	81	●○●○○○○○	124	○●○○○○●○	167	●○○○○○●○	210	○○○○○●○○
39	○○●○●●●●	82	●○●○○○○○	125	○●○○○○●○	168	●○○○○○●○	211	○○○○○●○○
40	○○●●○●●●	83	●○●○○○○○	126	○●○○○○●○	169	●●○○○○○●	212	○○○●○○○○
41	○○●●●○●●	84	●●○○○○●●	127	○●○○○○●○	170	●●○○○○○●	213	○○●○○○○○
42	○○●●●●○●	85	●●○○○○●○	128	○●○○○○●○	171	●●○○○○○●	214	○●○○○○○○
43	○○●●●●●○	86	●●○○○○●○	129	●○○○○○●●	172	○●○○○○○●	215	●○○○○○○○

Operation

Standalone Configuration

Test Mode

Auto Test

To perform an auto test of the COLORado PXL Bar 8, follow the instructions below:

1. Go to the **Run Mode** main level.
2. Select **Auto Test**.

Manual Test

To test the functions of the COLORado PXL Bar 8 manually, do the following:

1. Go to the **Run Mode** main level.
2. Select **Manual Test**.
3. Select the function (**Tilt, P/T Speed, Red, Green, Blue, White, CTC, Color, Pattern, LED Macro, LED Ma. Speed, LED Ma. Fade, Background, Background Dim., Dimmer, Shutter, Function, and Zoom1**) to test.
4. Change the value of the tested function, **000–255**.

Setup

Network Settings

To adjust the IP Mode, IP Byte, and SubMask settings, follow the instructions below:

1. Go to the **Setup** main level.
2. Select **Network Settings**.

IP mode

The IP address of the COLORado PXL Bar 8 can be set manually, by the network, or to a preset static address specific to each product. To set the IP Mode, do the following:

1. Navigate to **Network Settings**.
2. Select **IP Mode**.
3. Select among:
 - **Manual** – set the IP address with the control panel
 - **DHCP** – the network sets the IP address
 - **Static** – a preset address specific to each product

IP byte

In Manual IP Mode, the IP address must be assigned using the product menu. To set the IP address in Manual IP Mode, follow the instructions below:

1. Navigate to **Network Settings**.
2. Select **IP**.
3. Select from **IP Byte 1 to 4**.
4. Change the value of each IP Byte, **000–255**.

Subnet mask

In Manual IP Mode, the Subnet Mask must be assigned using the product menu. To set the Subnet Mask in Manual IP mode, do the following:

1. Navigate to **Network Settings**.
2. Select **SMK**.
3. Select from **SubMask 1 to 4**.
4. Change the value of each SubMask, **000–255**.

Tilt Orientation

To set whether the tilt orientation is normal or inverted, follow the instructions below:

1. Go to the **Setup** main level.
2. Select **Tilt Reverse**.
3. Select **NO** (normal tilt) or **YES** (reversed tilt).

Zoom Orientation

To set whether the zoom goes from wide to narrow or from narrow to wide, do the following:

1. Go to the **Setup** main level.
2. Select **Zoom Reverse**.
3. Select **NO** (wide to narrow) or **YES** (narrow to wide).

Display Orientation

To set which way the display faces, follow the instructions below:

1. Go to the **Setup** main level.
2. Select **Screen Reverse**.
3. Select **NO** (display is normal), **YES** (display is inverted), or **AUTO** (the display automatically detects which way the product is facing and orients itself accordingly).

Tilt Angle Range

To set the range of motion the tilt is permitted, do the following:

1. Go to the **Setup** main level.
2. Select **Tilt Angle**.
3. Select **200** (200° tilt), **180** (180° tilt), or **60** (60° tilt).

Blackout on Tilt Movement

To set whether the product will black out during tilt movement, follow the instructions below:

1. Go to the **Setup** main level.
2. Select **BL. O. T Move**.
3. Select **NO** (do not black out) or **YES** (black out during movement).

Backlight Timer

To set the amount of time after inactivity before the display backlight turns off, do the following:

1. Go to the **Setup** main level.
2. Select **Backlight Timer**.
3. Select **30S** (after 30 seconds of inactivity), **1M** (after 1 minute of inactivity), **5M** (after 5 minutes of inactivity), or **ON** (does not turn off).

Loss of Data

In case of any loss of input signal, the COLORado PXL Bar 8 will respond in one of two ways: The product will either hold the last signal received, or black out all LED output.

To set how the product responds, follow the instructions below:

1. Go to the **Setup** main level.
2. Select **Loss of Data**.
3. Select **Hold** (hold last signal received) or **Close** (black out all LED output).

Fan Speed

To set the speed of the fans, do the following:

1. Go to the **Setup** main level.
2. Select **Fans**.
3. Select **Auto** (fan speed set according to product temperature), **Full** (maximum speed), or **ECO** (quiet fan mode).

Defrost Fan

To activate or deactivate the defrost fan, follow the instructions below:

1. Go to the **Setup** main level.
2. Select **Defrost Fan**.
3. Select **OFF** (deactivate defrost fan) or **ON** (activate defrost fan).

Color-Mixing Mode

The COLORado PXL Bar 8 has a mode that emulates CMY (cyan, magenta, and yellow) color mixing. In this mode, the dimming is reversed (000 = 100%, 255 = 0%), and the red, green, and blue channels control cyan, magenta, and yellow, respectively.

To set the color-mixing mode, do the following:

1. Go to the **Setup** main level.
2. Select **C Mixing Mode**.
3. Select **RGBW** (additive mode: 0–100%) or **CMY** (subtractive mode: 100–0%).

Dimmer Curve

To set the dimmer curve, follow the instructions below:

1. Go to the **Setup** main level.
2. Select **Dimmer Curve**.
3. Select **Linear** (increase in light intensity is linear), **Square** (light intensity control is finer at low levels and coarser at high levels), **LSqua** (light intensity control is coarser at low levels and finer at high levels), or **SCurve** (light intensity is finer at low and high levels, and coarser at medium levels).

Operation

Dimmer Speed

To set the dimmer speed, do the following:

1. Go to the **Setup** main level.
2. Select **Dimmer Speed**.
3. Select **Smooth** or **Fast**.

LED Frequency

This option changes the Pulse Width Modulation (PWM) frequency of the LEDs on the COLORado PXL Bar 8.

1. Go to the **Setup** main level.
2. Go to the **PWM Option** main level.
3. Select PWM frequency (**600Hz**, **1200Hz**, **2000Hz**, **4000Hz**, **6000Hz**, or **25Khz**).

Cell Order

To set how the light is activated, follow the instructions below:

1. Go to the **Setup** main level.
2. Select **Cell Order**.
3. Choose **1–8** (light activates from left to right) or **8–1** (light activates from right to left).

Calibrated White

When activated, calibrated white sets the light output temperature to 7500K. To set the calibrated white setting, do the following:

1. Go to the **Setup** main level.
2. Select **Calibrated White**.
3. Select **ON** (activates calibrated white), **OFF** (deactivates calibrated white), or **Custom** (adjust light output temperature using the White Balance setting).

White Balance

To set the maximum values of a given LED color to create a white light output, follow the instructions below:

1. Go to the **Setup** main level.
2. Select **White Balance**.
3. Select the color value to be changed (**Red**, **Green**, **Blue**, or **White**).
4. Set the color value, **000–255**.

Preset Functions

The COLORado PXL Bar 8 has three presets. Every time a settings is changed in the fixture, the current preset is updated to include that change. To load a preset, do the following:

1. Go to the **Setup** main level.
2. Select **Preset Select**.
3. Select the preset to load (**PRESET A**, **PRESET B**, or **PRESET C**).
4. The selected preset will load, and all changes made to the settings will save to that preset.

Presets can be uploaded to other COLORado PXL Bar 8 using a DMX connection. To do so:

1. Connect the DMX Out of the product that has the desired presets to the DMX In of the product to be updated.
2. Power on both products.
3. On the product with the desired presets, go to the **Setup** main level.
4. Select **Preset Sync**.
5. Select **NO** (do not upload settings) or **YES** (upload settings).

Reset Functions

To reset the tilt, zoom, or all functions as if from startup, follow the instructions below:

1. Go to the **Setup** main level.
2. Select **Reset Function**.
3. Select the function to be reset (**Tilt**, **Zoom**, or **All**).
4. Select **NO** (do not reset) or **YES** (reset).

Factory Reset

To restore the COLORado PXL Bar 8 to factory default settings, do the following:

1. Go to the **Setup** main level.
2. Select **Factory Settings**.
3. Select **NO** (do not reset) or **YES** (reset to factory default settings).

System Information

All the information about the current status of the COLORado PXL Bar 8 is available through the product's **Information** menu. To view this information, follow the instructions below:

1. Go to the **Information** main level.
2. Choose the desired information from the following:
 - **Firmware Version** – displays the current firmware version
 - **Running Mode** – displays the current running mode
 - **Address** – displays the current starting address
 - **Temperature** – displays the current product temperature in °C
 - **Fixture Time** – displays the number of hours the fixture has been powered on
 - **LED Hours** – displays the total hours the LED has been powered on
 - **ArtNet Info** – displays the current IP address, Subnet Mask, and MAC address
 - **Device UID** – displays the product UID
 - **Fan Information** – displays the speed of head fans, defrost fans, and base fans

Offset Mode

The offset mode provides fine adjustments for the home position of all the moving parts in the optical path and the tilt movements. This ensures that the moving parts do not show any border or reduce the light output when in their home position.

1. Starting from the Main Level screen, press and hold **<MENU>** until the passcode screen appears.
2. Enter the passcode **2323**.
3. This direct the user to the Zero Adjust menu screen.

Tilt

To adjust the starting point of the tilt motor, do the following:

1. Select **TILT**.
2. Increase or decrease the starting value, from **000** to **255**.

Zoom

To adjust the starting point of the zoom motor, follow the instructions below:

1. Select **ZOOM1**.
2. Increase or decrease the starting value, from **000** to **255**.

MAC Address

To adjust the fourth, fifth, and sixth digit of the MAC address, do the following:

1. Select **MAC4**, **MAC5**, or **MAC6**.
2. Increase or decrease the starting value, from **000** to **255**.

RDM

To adjust the fourth, fifth, and sixth RDM, do the following:

1. Select **RDM4**, **RDM5**, or **RDM6**.
2. Increase or decrease the starting value, from **000** to **255**.

Operation

Web Server

The COLORado PXL Bar 8 Web Server can be accessed by any computer on the same network as the product. It allows network access to system information and settings (e.g., control setup, manual testing of all functions, firmware updates, and the ability to change the Web Server password).

1. Connect the product to power, and set the Control Protocol to **Art-Net** and the [IP mode](#) to **Static**.
2. Connect the product to a Windows® computer with a network cable.
3. On the computer, set the IP address of the new network to have the same first 3 digits as the IP address of the product (see [IP byte](#)).
4. Enter the IP address of the product into the URL bar of a Web browser on the computer.
5. Enter both the User Name and Password as **admin** to log in.

Information

The Information page on the Web Server displays the current settings and the system information of the COLORado PXL Bar 8.

Setup

The Setup page on the Web Server provides options for control, similar to the **Setup** menu on the product. Click **Save Settings** to send the new configuration to the product.

Manual Test

The Manual Test page on the Web Server allows all output functions of the product to be controlled through the browser. To set all functions back to default, click **Reset**.

Firmware Update

The Upgrade page on the Web Server allows the product to be updated with the latest firmware. Go to <https://www.chauvetprofessional.com/products/colorado-pxl-bar-8> to download firmware updates.

Security

The Security page on the Web Server gives the option to change the password to the connected product's Web server. Enter the old password (**admin**, by default) and the new password twice, then click **Save Settings** to change the password.

5. Maintenance

Product Maintenance

To maintain optimum performance and minimize wear, clean this product frequently. Usage and environment are contributing factors in determining the cleaning frequency.

Clean all products at least twice a month. Dust build-up reduces light output performance and can cause overheating. This can lead to reduced light source life and increased mechanical wear.

To clean the product:

1. Unplug the product from power.
2. Wait until the product is at room temperature.
3. Use a vacuum (or dry compressed air) and a soft brush to remove dust collected on the external vents.
4. Clean all transparent surfaces with a mild soap solution, ammonia-free glass cleaner, or isopropyl alcohol.
5. Apply the solution directly to a soft, lint free cotton cloth or a lens cleaning tissue.
6. Softly drag any dirt or grime to the outside of the transparent surface.
7. Gently polish the transparent surfaces until they are free of haze and lint.



Always dry the transparent surfaces carefully after cleaning them.



Avoid spinning the cooling fans using compressed air to prevent damage.

Torque Measurements

To maintain the IP rating when reassembling the product, use the given torque measurements for each of the following screws and bolts:

Fixture Parts	Torque Rating (Kgf.cm)	Torque Rating (lgb.in)
Omega bracket holder	12.2	10.6
Connector plate Allen Key screws	16.3	14.2
Screws around power and data ports	3.6	3.1
Front display bump out Allen screws	15.3	13.3
Display	9.2	7.9
Arm covers	10.2	8.9
Top lens cover (corners)	11.2	9.7
Head covers	25.5	22.1

Vacuum Test Measurements

Use the IP Tester from Chauvet Professional to ensure the product has been reassembled correctly by following the information below:

Parameters	Values
Method	Positive
Test pressure	2.18 kPa
Test duration	60 seconds
PASS state leak pressure	<0.02 kPa

Technical Specifications

6. Technical Specifications

Dimensions and Weight

Length	Width	Height	Weight
19.69 in (500 mm)	5.47 in (139 mm)	10.75 in (273 mm)	25.2 lb (11.5 kg)

Note: Dimensions in inches rounded to the nearest decimal digit.

Power

Power Supply Type	Range	Voltage Selection
Switching (internal)	100 to 240 VAC, 50/60 Hz	Auto-ranging

Parameter	100 V, 60 Hz	120 V, 60 Hz	208 V, 60 Hz	230 V, 50 Hz	240 V, 50 Hz
Consumption	422 W	422 W	409 W	407 W	404 W
Operating current	4.27 A	3.50 A	2.01 A	1.83 A	1.75 A
Power-linking current (products)	T/F 8 A, 250 V (1 product)	T/F 8 A, 250 V (3 products)	T/F 8 A, 250 V (5 products)	T/F 8 A, 250 V (6 products)	T/F 8 A, 250 V (6 products)

Power I/O	U.S./Worldwide	UK/Europe
Power input connector	Seetronic Powerkon IP65	Seetronic Powerkon IP65
Power output connector	Seetronic Powerkon IP65	Seetronic Powerkon IP65
Power cord plug	Edison (U.S.)	Local plug

Light Source

Type	Color	Quantity	Power	Current	Lifespan
LED	Quad-color RGBW	8	45 W	3.0 A	50,000 hours

Photometrics

Parameter	Total Value	Single Cell Value
Beam angle	3.5° to 30.8°	4° to 29.9°
Field angle	5.2° to 42.7°	5.4° to 42.3°
Cutoff angle	8.5° to 47.3°	6.1° to 45.5°
Zoom range	3.6° to 47.3°	4° to 45.5°
Illuminance (3.6°)	12,109 lux @ 5m	
Illuminance (47.3°)	563 lux @ 5m	

Thermal

Maximum External Temperature	Cooling System
113 °F (45 °C)	Fan-assisted Convection

DMX

I/O Connector	Channel Range
5-pin IP-rated XLR	Single Mode: 19, 51, 89, or 105 channels Dual Mode Movement: 7, 19, or 25 channels Dual Mode LED: 24, 32, or 64 channels

Ordering

Product Name	Item Name	Item Code	UPC Number
COLORado PXL Bar 8	COLORADOPXLBAR8	08011854	781462222024



UL 1573
CSA C22.2 No. 166
E113093



RoHS



Contact Us

General Information	Technical Support
Chauvet World Headquarters	
Address: 3360 Davie Rd., Suite 509 Davie, FL 33314 Voice: (954) 577-4455 Fax: (954) 929-5560 Toll Free: (800) 762-1084	Voice: (844) 393-7575 Fax: (954) 756-8015 Email: chauvetcs@chauvetlighting.com Website: www.chauvetprofessional.com
Chauvet U.K.	
Address: Pod 1 EVO Park Little Oak Drive, Sherwood Park Nottinghamshire, NG15 0EB UK Voice: +44 (0) 1773 511115 Fax: +44 (0) 1773 511110	Email: UKtech@chauvetlighting.eu Website: www.chauvetprofessional.eu
Chauvet Benelux	
Address: Stokstraat 18 9770 Kruishoutem Belgium Voice: +32 9 388 93 97	Email: BNLtech@chauvetlighting.eu Website: www.chauvetprofessional.eu
Chauvet France	
Address: 3, Rue Ampère 91380 Chilly-Mazarin France Voice: +33 1 78 85 33 59	Email: FRtech@chauvetlighting.fr Website: www.chauvetprofessional.eu
Chauvet Germany	
Address: Bruno-Bürgel-Str. 11 28759 Bremen Germany Voice: +49 421 62 60 20	Email: DEtech@chauvetlighting.de Website: www.chauvetprofessional.eu
Chauvet Mexico	
Address: Av. de las Partidas 34 - 3B (Entrance by Calle 2) Zona Industrial Lerma Lerma, Edo. de México, CP 52000 Voice: +52 (728) 690-2010	Email: servicio@chauvet.com.mx Website: www.chauvetprofessional.mx

Warranty & Returns

For warranty terms and conditions and return information, please visit our website.

For customers in the United States and Mexico: www.chauvetlighting.com/warranty-registration.

For customers in the United Kingdom, Republic of Ireland, Belgium, the Netherlands, Luxembourg, France, and Germany: www.chauvetlighting.eu/warranty-registration.