

onAir IP

PANEL 2

User Manual



Model ID: ONAIRPANEL2IP

Edition Notes

The onAir IP Panel 2 User Manual includes a description, safety precautions, installation, programming, operation, and maintenance instructions for the onAir IP Panel 2 as of the release date of this edition.

Trademarks

Chauvet, the Chauvet logo, and onAir are registered trademarks or trademarks of Chauvet & Sons, LLC (d/b/a Chauvet and Chauvet Lighting) in the United States and other countries. Other company and product names and logos referred to herein may be trademarks of their respective companies.

Copyright Notice

The works of authorship contained in this manual, including, but not limited to, all designs, text, and images are owned by Chauvet.

© **Copyright 2023 Chauvet & Sons, LLC. All rights reserved.**

Electronically published by Chauvet in the United States of America.

Manual Use

Chauvet authorizes its customers to download and print this manual for professional information purposes only. Chauvet expressly prohibits the usage, copy, storage, distribution, modification, or printing of this manual or its content for any other purpose without written consent from Chauvet.

Document Printing

For best results, print this document in color, on letter size paper (8.5 x 11 in), double-sided. If using A4 paper (210 x 297 mm), configure the printer to scale the content accordingly.

Intended Audience

Any person installing, operating, and/or maintaining this product should completely read through the guide that shipped with the product, as well as this manual, before installing, operating, or maintaining this product.

Disclaimer

Chauvet believes that the information contained in this manual is accurate in all respects. However, Chauvet assumes no responsibility and specifically disclaims any and all liability to any party for any loss, damage, or disruption caused by any errors or omissions in this document, whether such errors or omissions result from negligence, accident, or any other cause. Chauvet reserves the right to revise the content of this document without any obligation to notify any person or company of such revision, however, Chauvet has no obligation to make, and does not commit to make, any such revisions. Download the latest version from www.chauvetprofessional.com.

Document Revision

This is revision 3 of the onAir IP Panel 2 User Manual. Go to www.chauvetprofessional.com for the latest version.

TABLE OF CONTENTS

- 1. Before You Begin** 1
 - What Is Included 1
 - Claims 1
 - Text Conventions 1
 - Symbols 1
 - Safety Notes..... 2
 - FCC Statement of Compliance 3
 - RF Exposure Warning for North America and Australia..... 3
 - Expected LED Lifespan..... 3
- 2. Introduction**..... 4
 - Description 4
 - Features 4
 - Product Overview 4
 - Product Dimensions 5
- 3. Setup**..... 6
 - AC Power 6
 - AC Plug 6
 - Power Linking..... 6
 - DC Power 6
 - USB Software Update 7
 - Force Upload..... 7
 - Signal Connections 8
 - Control Personalities 8
 - DMX Linking 8
 - Remote Device Management 8
 - Art-Net™ Connection 8
 - sACN Connection..... 8
 - Ethernet Connection Diagram 8
 - Lumenradio CRMX™ Connection 9
 - Initial Setup 9
 - Configuration 9
 - Product Pairing 9
 - Accessory Slots..... 9
 - Mounting 10
 - Orientation..... 10
 - Rigging 10
 - Procedure..... 10
- 4. Operation**..... 11
 - Control Panel Description 11
 - Control Options 11
 - Programming..... 11
 - Menu Map 12
 - Home Screen 15
 - Example Home Screens 15

Control Configuration	16
Control Mode	16
Control Personalities	16
Starting Address	16
Ethernet Setting	17
Universe	17
Start Channel	17
IP Address	17
Ethernet to DMX	17
Control Channel Assignments and Values	18
32Ch / 23Ch / 18Ch / 16Ch	18
15Ch / 11Ch / 8Ch / 6Ch / 5Ch / 4Ch / 3Ch / 1Ch	19
XYExtended(10) / XYBasic(6)	19
Control Chart	20
Color Temperature Chart	20
Standalone Configuration	21
CCT Control	21
Preset Buttons	21
HSV Control	21
XY Control	21
Preset CCTs	21
Manual Color Mixer	21
Effect Macros	21
Settings Configuration	22
Red Shift	22
Master/Slave	22
DMX Loss	22
Dimmer Curve	22
Dimmer Speed Mode	22
Color Calibration	22
Pulse Width Modulation	22
Fan Mode	22
Wireless Lumenradio CRMX™ Settings	23
Toggle CRMX™	23
Receiver Reset	23
Wireless to DMX	23
Display Backlight	23
Information	23
Factory Reset	23
Web Server	24
Home	24
Settings	24
Output	24
Security	24
5. Maintenance	25
Product Maintenance	25
6. Technical Specifications	26
Contact Us	27
Warranty & Returns	27

1. Before You Begin

What Is Included

- onAir IP Panel 2
- Seetronic Powerkon IP65 power cable
- Omega bracket with mounting hardware
- Junior pin
- Quick Reference Guide

Claims

Carefully unpack the product immediately and check the container to make sure all the parts are in the package and are in good condition.




If the box or the contents (the product and included accessories) appear damaged from shipping, or show signs of mishandling, notify the carrier immediately, not Chauvet. Failure to report damage to the carrier immediately may invalidate a claim. In addition, keep the box and contents for inspection.

For other issues, such as missing components or parts, damage not related to shipping, or concealed damage, file a claim with Chauvet within 7 days of delivery.

Text Conventions

Convention	Meaning
1–512	A range of values
50/60	A set of values of which only one can be chosen
Settings	A menu option not to be modified
<ENTER>	A key to be pressed on the product's control panel

Symbols

Symbol	Meaning
	Critical installation, configuration, or operation information. Not following these instructions may make the product not work, cause damage to the product, or cause harm to the operator.
	Important installation or configuration information. The product may not function correctly if this information is not used.
	Useful information.



Any reference to data or power connections in this manual assumes the use of Seetronic IP-rated cables.



The term “DMX” used throughout this manual refers to the USITT DMX512-A digital data transmission protocol.

Safety Notes

Read all the following safety notes before working with this product. These notes contain important information about the installation, usage, and maintenance of this product.



This product contains no user-serviceable parts. Any reference to servicing in this User Manual will only apply to properly trained, certified technicians. Do not open the housing or attempt any repairs.



All applicable local codes and regulations apply to proper installation of this product.

- The luminaire is intended for professional use only.
- If the external flexible cable or cord of this luminaire is damaged, it shall be replaced by a special cord or cord exclusively available from the manufacturer or its service agent.
- The light source contained in this luminaire shall only be replaced by the manufacturer or its service agent or a similar qualified person.
- **CAUTION:**
 - This product's housing may be hot when operating. Mount this product in a location with adequate ventilation, at least 20 in (50 cm) from adjacent surfaces.
 - When transferring the product from extreme temperature environments, (e.g., cold truck to warm humid ballroom) condensation may form on the internal electronics of the product. To avoid causing a failure, allow the product to fully acclimate to the surrounding environment before connecting it to power.
 - Flashing light is known to trigger epileptic seizures. User must comply with local laws regarding notification of strobe use.
- **ALWAYS:**
 - Disconnect from power before cleaning the product or replacing the fuse.
 - When using an IP65-rated product in an outdoor environment, use IP65- (or higher) rated power and data cable.
 - Replace and secure IP-rated protective covers to all power, data, USB, or other ports when not in use.
 - Replace the fuse with the same type and rating.
 - Use a safety cable when mounting this product overhead.
 - Connect this product to a grounded and protected circuit.
- **DO NOT:**
 - Open this product. It contains no user-serviceable parts.
 - Look at the light source when the product is on.
 - Leave any flammable material within 50 cm of this product while operating or connected to power.
 - Connect this product to a dimmer or rheostat.
 - Operate this product if the housing, lenses, or cables appear damaged.
 - Submerge this product (adhere to standards for the published IP rating). Regular outdoor operation is fine.
 - Permanently install outdoors in locations with extreme environmental conditions. This includes, but is not limited to:
 - Exposure to a marine/saline environment (within 3 miles of a saltwater body of water).
 - Locations where normal temperatures exceed the temperature ranges in this manual.
 - Locations that are prone to flooding or being buried in snow.
 - Other areas where the product will be subject to extreme radiation or caustic substances.
- **ONLY** use the handles or the hanging/mounting brackets to carry this product.
- The maximum ambient temperature is 113 °F (45 °C). Do not operate this product at higher temperatures.
- The minimum startup temperature is -4°F (-20°C). Do not start the product at lower temperatures.
- The minimum ambient temperature is -22°F (-30°C). Do not operate the product at lower temperatures.
- To eliminate unnecessary wear and improve its lifespan, during periods of non-use completely disconnect the product from power via breaker or by unplugging it.
- In the event of a serious operating problem, stop using immediately.



If a Chauvet product requires service, contact Chauvet Technical Support.

Before You Begin

FCC Statement of Compliance

This device complies with Part 15 Part B of the FCC rules. Operation is subject to the following two conditions:

1. This device may not cause harmful interference, and
2. This device must accept any interference received, including interference that may cause undesired operation.

This equipment has been tested and found to comply with the limits for a Class B digital device, pursuant to Part 15 of the FCC Rules. These limits are designed to provide reasonable protection against harmful interference in a residential installation. This equipment generates uses and can radiate radio frequency energy and, if not installed and used in accordance with the instructions, may cause harmful interference to radio communications. However, there is no guarantee that interference will not occur in a particular installation. If this equipment does cause harmful interference to radio or television reception, which can be determined by turning the equipment off and on, the user is encouraged to try to correct the interference by one or more of the following measures:

- Reorient or relocate the receiving antenna.
- Increase the separation between the equipment and receiver.
- Connect the equipment into an outlet on a circuit different from that to which the receiver is connected.
- Consult the dealer or an experienced radio/TV technician for help.

Any changes or modifications not expressly approved by the party responsible for compliance could void the user's authority to operate the equipment.

RF Exposure Warning for North America and Australia

Warning! This equipment complies with FCC radiation exposure limits set forth for an uncontrolled environment. This equipment should be installed and operated with a minimum distance of 20 cm between the radiator and the user. This transmitter must not be co-located or operating in conjunction with any other antenna or transmitter.

Expected LED Lifespan

Over time, use and heat will gradually reduce LED brightness. Clustered LEDs produce more heat than single LEDs, contributing to shorter lifespans if always used at full intensity. The average LED lifespan is 40,000 to 50,000 hours. To extend LED lifespan, maintain proper ventilation around the product, and limit the overall intensity.

2. Introduction

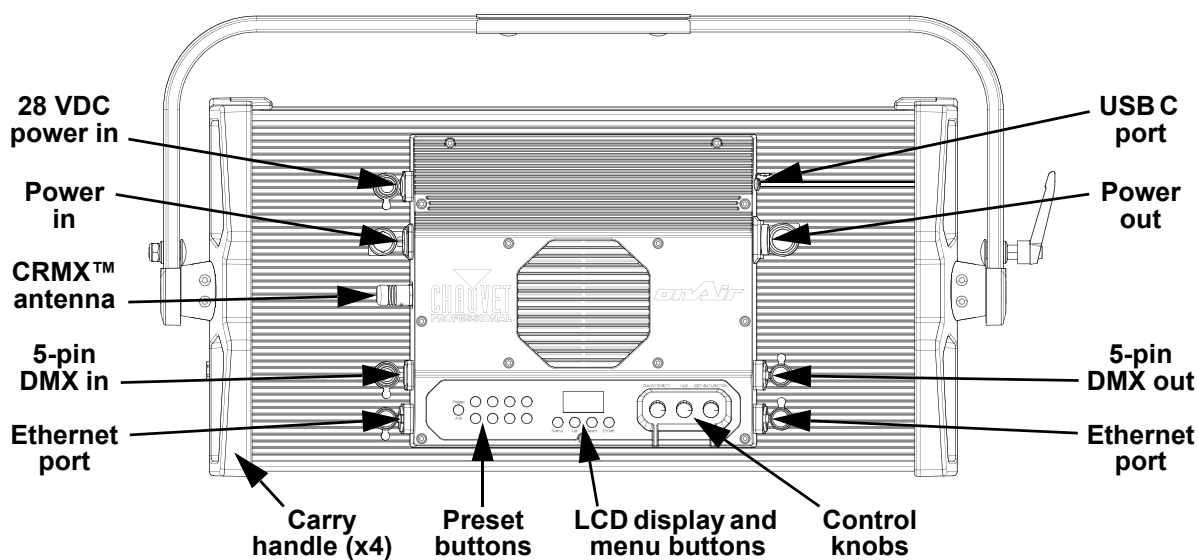
Description

The onAir IP Panel 2 is an IP65 full-spectrum LED soft light with a 1x2 format for outdoor or indoor operation. Ready for any broadcast setting, the onAir IP Panel 2 features high CRI/ TLC and TM-30 scores, a smooth 16-bit dimming curve, +/- green adjustment, an emulated redshift, built-in customizable effects, and a drop-in slot for easy changing of accessories. Mounting options include a Jr Pin and an Omega Bracket. PWM, DMX, RDM, CRMX™, Art-Net™, sACN, and an onboard control option ensure camera-ready use. An optional 28 VDC input via 3-pin XLR enables use of an external battery pack to add increased flexibility for all remote needs.

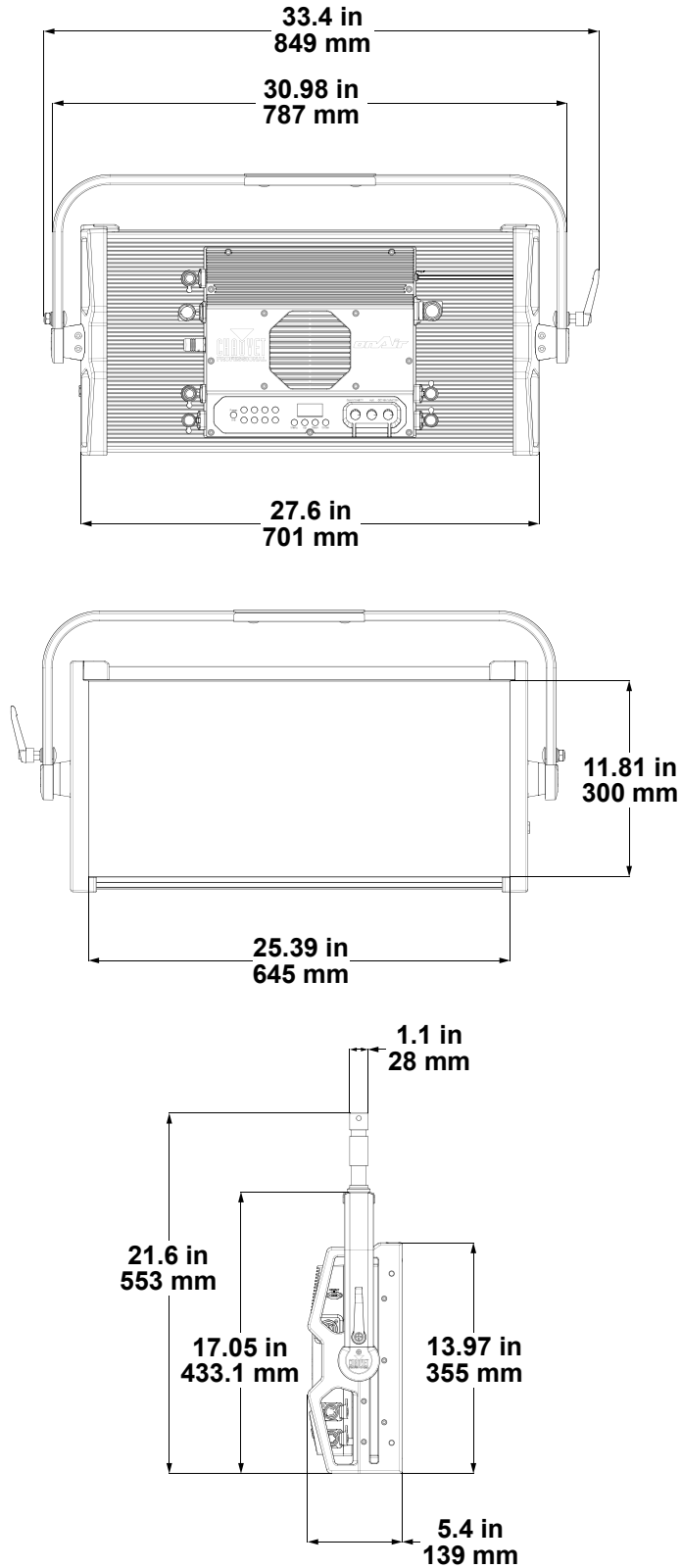
Features

- Full-spectrum LED 2x1 format soft light panel style fixture for broadcast, film, and special events
- IP65 rating for all weather use indoors or out.
- Linear color temperature presets from 2800 K to 8000 K with high CRI and CQS
- Virtual color wheel with color matched to popular gel colors
- +/- Green adjustment and emulated red-shift via DMX or on-board control
- RDM (Remote Device Management) and CRMX Wireless Control for added flexibility
- Adjustable PWM (Pulse Width Modulation) to avoid flickering on camera
- Virtually silent operation for use in studio applications
- Ultra-smooth 16-bit dimming curves and speeds to complement any lighting scheme.
- Easily switch mounting options from Jr Pin to Omega Bracket
- Drop-in slot for diffusers and intensifier filter (sold separately)
- Rugged design for years of rough use in the most extreme conditions.
- Easy to use on-board control with full access to all the features of the fixture without the need for a dedicated controller.
- USB port for fixture software updates
- 28 VDC power input via 3-pin XLR to power the fixture from an external battery pack

Product Overview



Product Dimensions



3. Setup

AC Power

The onAir IP Panel 2 has an auto-ranging power supply and it can work with an input voltage range of 100 to 240 VAC, 50/60 Hz.

To determine the product's power requirements (circuit breaker, power outlet, and wiring), use the current value listed on the label affixed to the product's back panel, or refer to the product's specifications chart.

The listed current rating indicates the product's average current draw under normal conditions.



- **Always connect the product to a protected circuit (a circuit breaker or fuse). Make sure the product has an appropriate electrical ground to avoid the risk of electrocution or fire.**
- **To eliminate unnecessary wear and improve its lifespan, during periods of non-use completely disconnect the product from power via breaker or by unplugging it.**



Never connect the product to a rheostat (variable resistor) or dimmer circuit, even if the rheostat or dimmer channel serves only as a 0 to 100% switch.

AC Plug

The onAir IP Panel 2 comes with a power input cord terminated with a Seetronic Powerkon IP65 connector on one end and an Edison plug on the other end (U.S. market). If the power input cable has no plug, or if the plug needs to be changed, use the table below to wire the new plug.

Connection	Wire (U.S.)	Wire (Europe)	Screw Color
AC Live	Black	Brown	Yellow or Brass
AC Neutral	White	Blue	Silver
AC Ground	Green/Yellow	Green/Yellow	Green

Power Linking

It is possible to power link onAir IP Panel 2 products. See the table below for the current draw at each voltage and frequency:

	100 V, 60 Hz	120 V, 60 Hz	208 V, 60 Hz	230 V, 50 Hz	240 V, 60 Hz
Current Draw	3.73 A	3.10 A	1.77 A	1.61 A	1.54 A

Never exceed 12A on a single circuit. Power-linking cables can be purchased separately.

DC Power

The onAir IP Panel 2 has a 3-pin IP65 XLR power input that can work with an input voltage of 28 VDC, which is SELV voltage supplied by short-circuit-proof power supply.



If AC power and DC power are input to the product at the same time, the product will automatically give priority to AC power input.

USB Software Update

The onAir IP Panel 2 allows for software updates with a USB device using the built-in USB port. To update the software using a USB flash drive, do the following:

1. Power on the product, and plug the flash drive into the USB port.
2. Once the flash drive has been detected, the message “**Upgrade Firmware**” will be displayed. Press <ENTER>. If a different message appears on the display, search for the updated software in the main menu (**Update Firmware**) and select from **Only This Unit**, **Multiple Fixture**, or **Other Fixture Type**. A list of the updated software files will be displayed.
3. Select the file that needs to be uploaded. The message “**Are you sure?**” will be displayed. Press <ENTER>.



If the selected file is incorrect, the upgrade will fail, and the display will go back to the main interface. Repeat steps 1–3 using the correct file.

4. If the selected file is correct, the upgrade will start. DO NOT turn off the power or disconnect the USB during the process. USB update can take several minutes to complete.
5. When the update is completed, the fixture will automatically reboot.
6. Go to Fixture Information on the product’s menu map and confirm the firmware revision.
7. When the boot-up process is finished, restart the product.



- Place the .chl file in the root directory of the USB drive.
- The product’s USB port supports up to 32GB capacity and only works with FAT32 file format.



The “**Other Fixture Type**” option can only be selected for connected products compatible with the Upload 03 (the first 2 digits of the item code must be 03).



Turning off the power, removing the USB, or not setting the fixture to the correct protocol during the update can cause partial or total firmware failure in the targeted fixture(s). Please refer to [Force Upload](#) section to fix firmware failure issues.

Force Upload

A Force Upload is done whenever a software update fails due to accidental removal of the USB flash drive, incorrect control protocol, or loss of power during a regular software update process.



- A Force Upload process requires a target fixture (the fixture that needs a Force Upload and a main fixture (the fixture that controls the upload process).
- The Force Upload process can only be done one target fixture at a time.

To do a Force Upload, follow the instructions below:

1. Link the target fixture to the main fixture via a DMX 5-pin connection. Ensure that the target fixture is turned off.
2. Turn on the main fixture and set its protocol to **DMX512**.
3. Plug the flash drive into the USB-C port of the main fixture.
4. Go to Upgrade Firmware on the menu map.
5. Choose between **Multiple Fixture** and **Other Fixture Type**. Press <ENTER>.
 - **Multiple Fixture:** Both the target fixture and main fixture are from the same product line (e.g., 2 onAir IP Panel 2 fixtures).
 - **Other Fixture Type:** The target fixture and main fixture are from different product series (e.g., a onAir IP Panel 2 as the target fixture and a Maverick Silens 2 Profile as the main fixture).
6. Select the file that needs to be uploaded. The message “**Are you sure?**” will appear on the screen. Press <ENTER>. Turn on the target fixture within 1–2 seconds of pressing <ENTER>. The display on the target fixture should remain off.
 - a. The main fixture will show the update progress (0–100%).
 - b. The target fixture’s display will turn on, and a notification “<UPDATE>” will appear on the screen.



The timing of when the target fixture’s display will turn on varies from fixture to fixture.

7. DO NOT turn off power or remove the USB flash drive. Once the software is done uploading, the target fixture will automatically reboot.
8. Go to the target fixture’s main menu and confirm that the firmware version has been updated.
9. Reboot the target fixture.

Signal Connections

The onAir IP Panel 2 can receive a DMX, Art-Net™, sACN, or a wireless Lumenradio CRMX™ signal. The product has 2 Seetronic Etherkon-compatible through ports and 5-pin DMX in and out ports. If using other compatible products with this product, each can be controlled individually with a single controller.

Control Personalities

The onAir IP Panel 2 uses a 5-pin DMX data connection, Art-Net™, sACN, or wireless CRMX™ for its 14 control personalities, ranging from **1Ch** to **32Ch**.

- Refer to the [Operation](#) chapter to learn how to configure the onAir IP Panel 2 to work in these personalities.
- The [Control Channel Assignments and Values](#) section provides detailed information regarding the control personalities.



For more information about DMX standards or the DMX cables needed to link this product to a DMX controller, download the DMX Primer from the Chauvet website: www.chauvetprofessional.com.

DMX Linking

The onAir IP Panel 2 can be linked to a DMX controller using a 5-pin DMX connection or a CRMX™ connection. For more information about DMX, read the DMX primer at: https://www.chauvetprofessional.com/wp-content/uploads/2016/06/DMX_Primer.pdf.

Remote Device Management

Remote Device Management (RDM) is a standard for allowing DMX-enabled devices to communicate bi-directionally along existing DMX cabling. Check the DMX controller's User Manual or with the manufacturer as not all DMX controllers have this capability. The onAir IP Panel 2 supports RDM protocol that allows feedback to make changes to menu map options.

Art-Net™ Connection

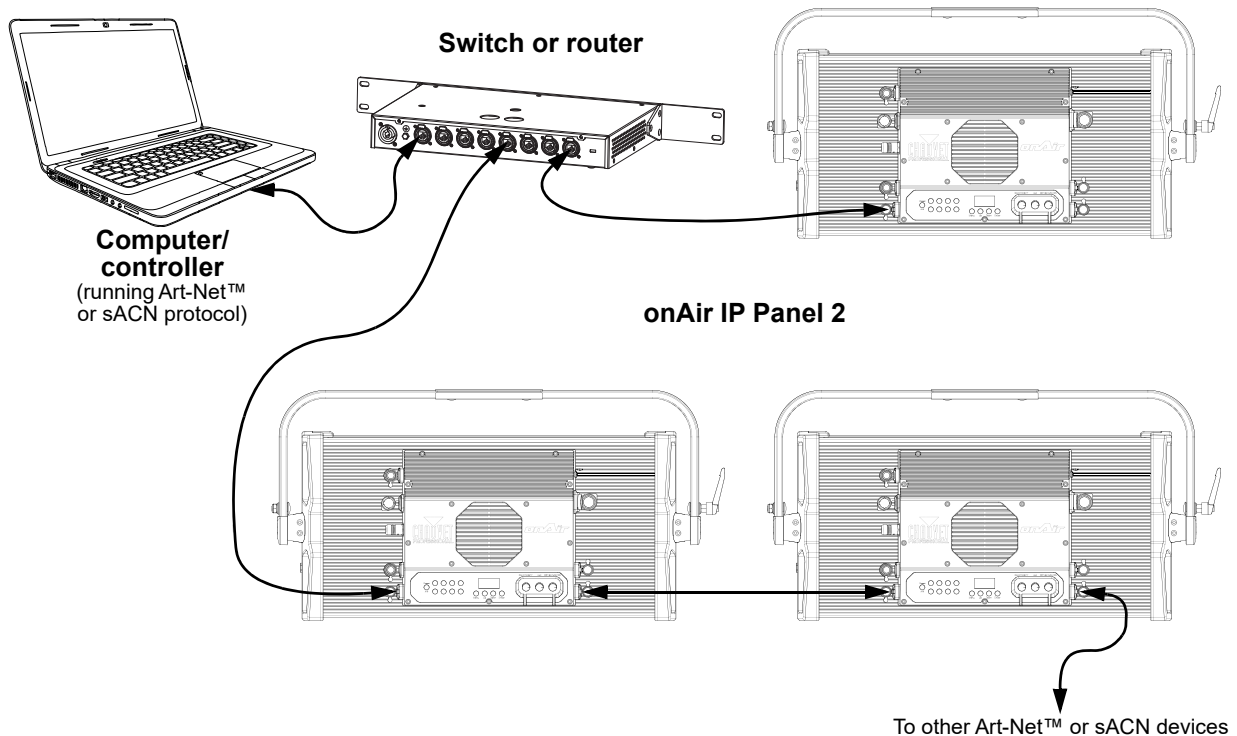
Art-Net™ is an Ethernet protocol that uses TCP/IP which transfers a large amount of DMX512 data using an ethernet connection over a large network. An Art-Net™ protocol document is available from www.chauvetprofessional.com.

Art-Net™ designed by and copyright Artistic Licence Holdings Ltd.

sACN Connection

Also known as ANSI E1.31, streaming ACN is an Ethernet protocol that uses the layering and formatting of Architecture for Control Networks to transport DMX512 data over IP or any other ACN compatible network.

Ethernet Connection Diagram



Setup

Lumenradio CRMX™ Connection

In optimal conditions, the onAir IP Panel 2 can operate up to 300 m (900 ft) away from the CRMX™ transmitter. The CRMX™ receiver in the onAir IP Panel 2 must be paired with the CRMX™ transmitter for wireless operation.

Initial Setup

1. Turn the CRMX™ transmitter on.
2. Connect the CRMX™ transmitter to a DMX controller.
3. Place the onAir IP Panel 2 within 300 m from the CRMX™ transmitter.
4. Turn the onAir IP Panel 2 on.

Configuration

1. From the onAir IP Panel 2's control panel, go to **DMX Address**.
2. Select the start address, as with any other DMX compatible product.
3. Go to **Wireless Setting > Receive On/Off**.
4. Select **On**. (The Signal Strength Indicator will show a ? in front of the bars)
5. Press the reset button on the CRMX™ transmitter. (The Signal Strength Indicator on the onAir IP Panel 2 will show a 4 in front of the bars for 3 seconds while a connection is established.)

Product Pairing

If the onAir IP Panel 2 has already been paired with the CRMX™ transmitter, the Signal Strength Indicator on top of the display will show the strength of the signal. In this case, the onAir IP Panel 2 is ready to work in Wireless mode.

Pairing the onAir IP Panel 2 and a New CRMX™ Transmitter

1. From the onAir IP Panel 2 control panel, go to **Wireless Setting > Receive Reset**.
2. Select **Yes**.
3. From the CRMX™ transmitter, press **<RESET>**. The signal indicator on the transmitter will flash.
4. Once the transmitter has found the onAir IP Panel 2, the signal indicator on the CRMX™ transmitter will illuminate solid.
5. The display screen on the onAir IP Panel 2 will show the strength of the signal.



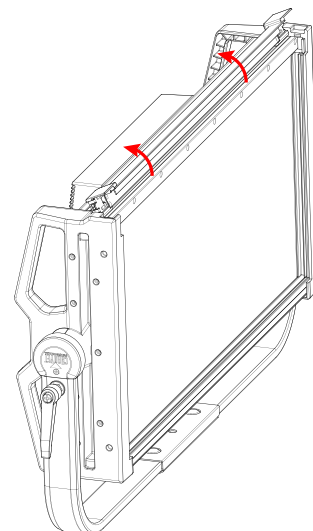
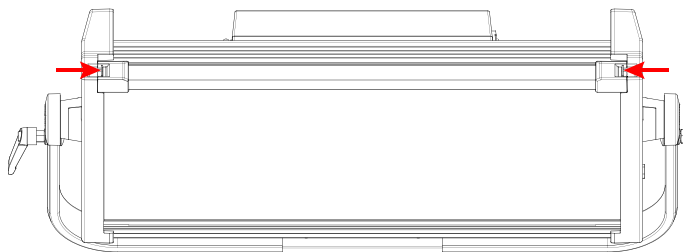
CRMX™ operation can be interrupted or inhibited by people or liquid masses, including water or snow, between the transmitter and receiver. For best results, keep the area between the transmitter and receiver clear of any liquid masses.

Accessory Slots

The onAir IP Panel 2 has 2 accessory slots that can be accessed by pressing the accessory slot tabs inward and opening the hinged accessory slot cover.



- **Do not use when the diffuser is removed. The diffuser cannot be removed when the fixture is powered on.**
- **For fixed mounted luminaires, the risk group shall not exceed RG1 at the distance obtaining 500 lx.**
- The back slot is for a diffuser or intensifier.
- The front slot is for accessories such as a honeycomb or barn doors.



Mounting

Before mounting the product, read and follow the safety recommendations indicated in the Safety Notes. For our Chauvet Professional line of mounting clamps, go to <http://trusst.com/products/>.

Orientation

Always mount this product in a safe position, making sure there is adequate room for ventilation, configuration, and maintenance.

Rigging

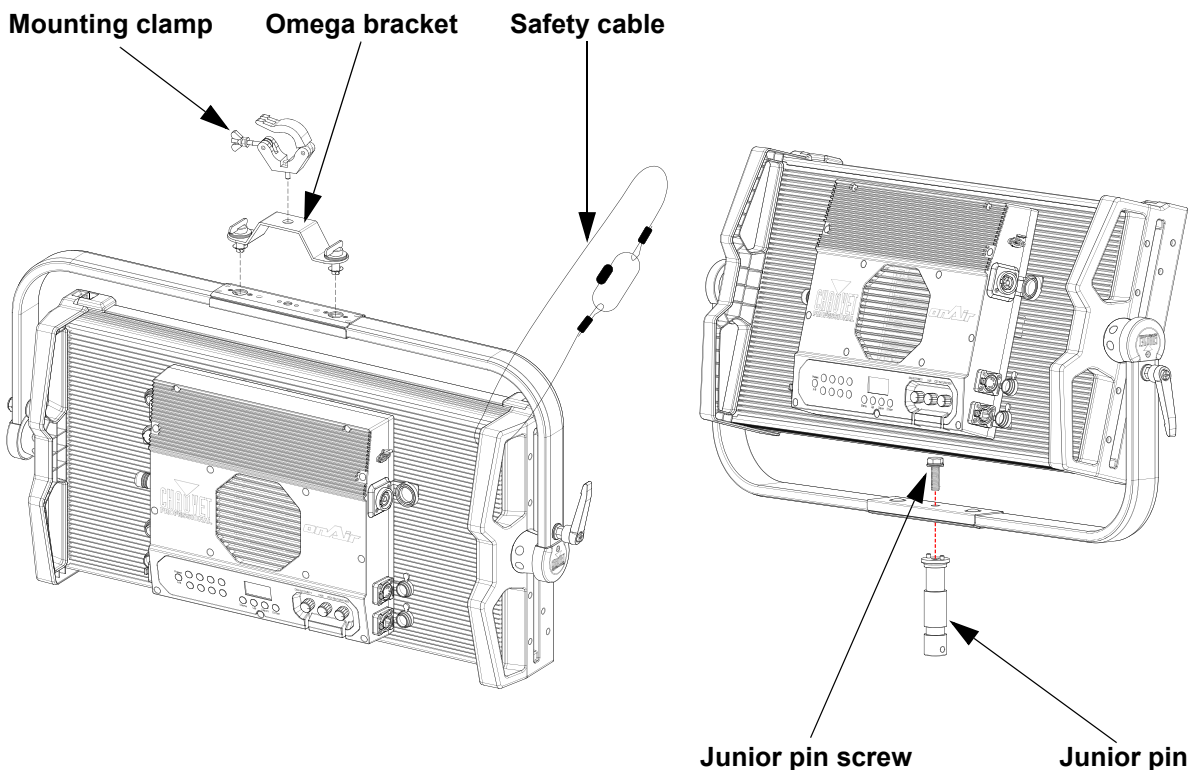
Chauvet recommends using the following general guidelines when mounting this product.

- Before deciding on a location for the product, always make sure there is easy access to the product for maintenance and programming.
- Make sure that the structure onto which the product is being mounted can support the product's weight (see the [Technical Specifications](#) for weight information).
- When mounting the product overhead, always use a safety cable. Mount the product securely to a rigging point, whether an elevated platform or a truss.
- When rigging the product onto a truss, use a mounting clamp of appropriate weight capacity.
- When power linking multiple products, mount the products close enough for power-linking cables to reach.
- The bracket adjustment knobs allow for directional adjustment when aiming the product to the desired angle. Only loosen or tighten the bracket knobs manually. Using tools could damage the knobs.

Procedure

The onAir IP Panel 2 comes with an omega bracket and a junior pin. Mounting clamps are sold separately. Make sure the clamps are capable of supporting the weight of this product. Use at least two mounting points per product. For the Chauvet Professional line of mounting clamps, go to <http://www.trusst.com/products>.

Mounting Diagram



4. Operation

Control Panel Description

Button/Knob	Function
<MENU>	Exits from the current menu or function
<ENTER>	Enables the currently displayed menu or sets the currently selected value into the selected function
<UP>	Navigates upwards through the menu list or increases the numeric value when in a function
<DOWN>	Navigates downwards through the menu list or decreases the numeric value when in a function
<DIM/INTENSITY>	Increases or decreases the dimmer value or the intensity
<+/-GRN/HUE>	Increases or decreases the green value, the hue value, or the X value
<CCT/SATURATION>	Increases or decreases the color temperature, the saturation, or the Y value
<PRESET A/B>	Toggles between A presets (built-in) and B presets (custom)
<2800K/B1>	Selects a preset. Hold for 3 seconds to save the current look to the selected B preset.
<3000K/B2>	
<3200K/B3>	
<4000K/B4>	
<5000K/B5>	
<5600K/B6>	
<6000K/B7>	
<6500K/B8>	

Control Options

The onAir IP Panel 2 has 9 options for control:

- Wired DMX
Via 5-pin DMX port
- Wireless Lumenradio CRMX™
With the option to convert wireless input to wired DMX output
- Art-Net™ (wired ethernet)
With the option to convert ethernet input to wired DMX output
- sACN (wired ethernet)
With the option to convert ethernet input to wired DMX output
- CCT Control
Correlated Color Temperature, standalone with the control knobs
- HSV Control
Hue, Saturation, Value, standalone with the control knobs
- XY Control
Cartesian X and Y coordinates, standalone with the control knobs
- Preset CCTs
Preset Correlated Color Control options, standalone through the menu and preset buttons
- Manual Color Mixer
Individual color control to create custom colors, standalone through the display menu
- Effect Macros
Automatic programs, standalone through the display menu

Programming

Refer to the menu map to understand the menu options. The menu map shows the main menu and a variable number of programming levels for each option.

- To access the main menu from the [Home Screen](#), press <MENU>.
- To navigate to the desired option in the main menu, press <MENU> repeatedly until the option is indicated, or use <UP> or <DOWN> to navigate directly.
- Press <ENTER> to select the indicated option.
- Use <UP> or <DOWN> to navigate within a programming level until the desired option is indicated.
- To return to the main menu, press <MENU> repeatedly until it shows on the display.
- Press and hold <MENU> to return to the home screen.

Control options can also be accessed through the [Web Server](#).

Menu Map

Refer to the onAir IP Panel 2 product page on www.chauvetprofessional.com for the latest menu map.

Main Menu	Programming Levels				Description
Protocol	DMX512				Sets the control protocol
	Artnet				
	sACN				
DMX Address	001–512*				Selects DMX address (*Highest channel restricted to personality chosen)
DMX Channel	1Ch	Preset CCTs	Hue	<-25–25>	1-channel: selects a preset CCT and hue
		Manual Color Mixer	Red	<000–255>	1-channel: combine red, green, blue, and white to make a custom color (0–100%)
			Green	<000–255>	
			Blue	<000–255>	
			White	<000–255>	
	3Ch				3-channel: dimmer, color temperature, hue
	4Ch				4-channel: RGBW
	5Ch				5-channel: 16-bit dimmer, color temperature, hue, strobe
	6Ch				6-channel: dimmer, RGBW, strobe
	8Ch				8-channel: 16-bit RGBW
	11Ch				11-channel: 16-bit dimmer, RGBW, strobe, color temperature, hue, effect macros and speed
	15Ch				15-channel: 16-bit dimmer, 16-bit RGBW, strobe, color temperature, hue, effect macros and speed
	16Ch				16-channel: RGBW 1–4
	18Ch				18-channel: dimmer, RGBW 1–4, strobe
	23Ch				23-channel: dimmer, RGBW 1–4, strobe, color temperature, hue, effect macros and speed, control
	32Ch				32-channel: 16-bit RGBW 1–4
XYBasic(6)				6-channel: 16-bit dimmer, 16-bit X, 16-bit Y	
XYExtended(10)				10-channel: 16-bit dimmer, 16-bit X, 16-bit Y, strobe, effect macros and speed, control	
Static	CCT Control				Correlated color temperature control
	HSV Control				Hue, saturation, value control
	XY Control				X and Y coordinate control
	Preset CCTs	2800K	Dimmer Hue	<000–255>	Selects preset color temperature, dimmer and hue
		2900K			
		3000K			
		3100K			
		3200K			
		3300K			
		3400K			
		3500K			
		3600K			
		3700K			
		3800K			
		3900K			
4000K					
4100K		<-25–25>			

Main Menu	Programming Levels			Description	
Static (cont.)	Preset CCTs (cont.)	4200K	Dimmer Hue	<000–255> <-25–25>	Selects preset color temperature, dimmer and hue
		4300K			
		4400K			
		4500K			
		4600K			
		4700K			
		4800K			
		4900K			
		5000K			
		5100K			
		5200K			
		5300K			
		5400K			
		5500K			
		5600K			
		5700K			
	6000K				
	6500K				
	7000K				
	7500K				
8000K					
Manual Color Mixer	Red	<000–255>		Combine red, green, blue, and white to make custom color (0–100%)	
	Green				
	Blue				
	White				
Effect Macros	Color Chase	<001–100>		Selects effect macro and speed	
	Police Car				
	Firetruck				
	Fire				
	Clouds				
	Fireworks				
	Paparazzi				
	Lightning				
Red Shift	On			Enables or disables red shift	
	Off				
Master/ Slave	Master			Standalone mode	
	Slave			Slave mode	
DMX Loss	Hold Last			Holds last signal received	
	Stop DMX			Holds output	
	Blackout			Blacks out the product	
Dimmer Curve	S Curve			Sets the dimmer curve	
	Linear				
	Square				
	Inverse Square				
Dimmer Mode	Off			Instantaneous dimmer	
	Dimmer 1–3			Dimmer mode, fast (1) to slow (3)	
Color Calibration	Off			Color calibration off	
	User Calibration	Red	<125–255>	Sets maximum red LED value	
		Green		Sets maximum green LED value	
		Blue		Sets maximum blue LED value	
		White		Sets maximum white LED value	
Factory Calibration			Color calibration set by factory		

Main Menu	Programming Levels		Description	
LED Frequency	600Hz		Sets the Pulse Width Modulation frequency	
	1200Hz			
	2000Hz			
	4000Hz			
	6000Hz			
Fan Mode	25KHz		Sets the fan to auto mode	
	Auto			
	On			
	Off			
Wireless Setting	Receive Off/ On	Off	Enables/disables CRMX™	
		On		
	Receive Reset	No	Resets wireless receiver	
		Yes		
Wireless To DMX	No	Enables/disables wireless to DMX		
	Yes			
Back Light	10S		Turns off display backlight after 10 seconds of inactivity	
	30S		Turns off display backlight after 30 seconds	
	2Min		Turns off display backlight after 2 minutes of	
	Always On		Display backlight always on	
Ethernet Setting	Universe	000–255 (Art-net™)		
		001–256 (sACN)		
	Start Channel	001–512		
	IP Address	2	000–255 . 000–255 . 000–255	Sets the IP address
		10		
239				
Ethernet To DMX	No		Enables/disables Ethernet to DMX	
Yes				
Information	Fixture Hours	< _ _ _ _ H >		
	LED Hours	< _ _ _ _ H >		
	Disp Ver	< V . _ . >		
	Drv Ver	< V . _ . >		
	Net Ver	< V . _ . >		
	UID	21A40		
Upgrade Firmware	Only This Fixture	_ _ _ _ .CHL		
		...		
	Multiple Fixture	_ _ _ _ .CHL		
		...		
Other Fixture Type	_ _ _ _ .CHL			
	...			
Factory Reset	No		Resets the product to factory default settings	
	Yes			

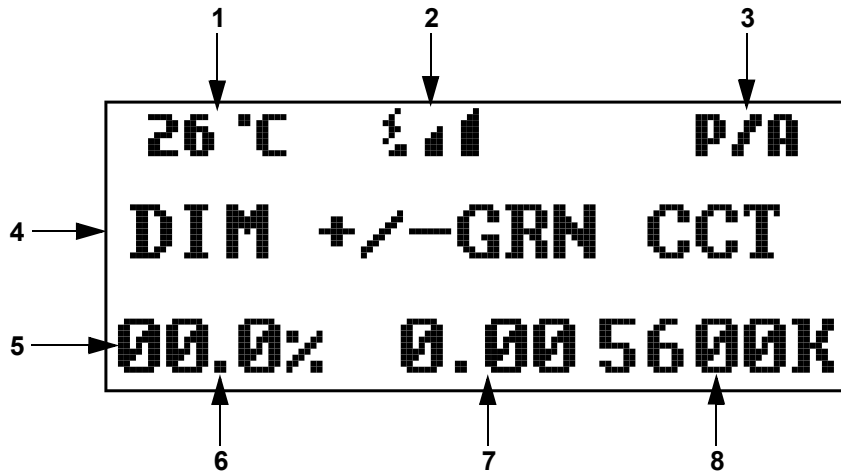


The “Other Fixture Type” option under Upgrade Firmware can only be selected for connected products compatible with the Upload 03 (the first 2 digits of the item code must be 03).

Operation

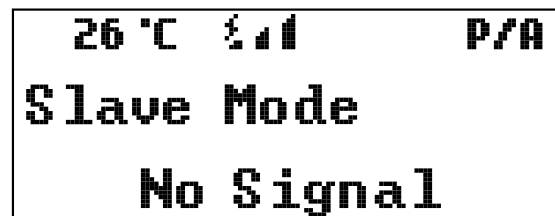
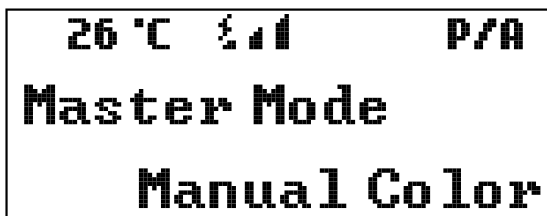
Home Screen

The home screen of the onAir IP Panel 2 shows the current settings and status of the product. To see the home screen, press and hold <MENU> until it shows on the display. From the home screen, press <MENU> to access the menu.



Number	Description
1	Current product temperature
2	Current wireless signal status
3	Current preset or preset bank
4	Middle line shows current control mode. Shows DIM +/-GRN CCT in CCT mode, DIM HUE SAT in HSV mode, DIM X Y in XY Control mode, Master Mode in master mode, Slave Mode in slave mode, etc.
5	Bottom line shows details of the current control mode
6	Current dimmer or intensity value (00.0–100%) in CCT, HSV, or XY Control mode
7	Current +/- green value (-0.25–+0.25) in CCT mode, hue value (000–360°) in HSV mode, or X value (0.00–0.850) in XY Control mode
8	Current color temperature (2800–8000K) in CCT mode, saturation value (000–255) in HSV mode, or Y value (0.00–0.850) in XY Control mode

Example Home Screens



Control Configuration

Use control configurations to operate the product with a DMX, Art-Net™, or sACN controller.

Control Mode

The onAir IP Panel 2 works with wired DMX, CRMX™, Art-Net™, and sACN control signals. To select which protocol to use:

1. Go to the **Protocol** main level.
2. Select the desired protocol, from **DMX512**, **ArtNet**, or **sACN**.



- See the [Wireless Lumenradio CRMX™ Settings](#) section for further setup of CRMX™.
- See the [Ethernet Setting](#) section for further setup of ethernet protocols (Art-Net™ or sACN).

Control Personalities

To set the control personality:

1. Go to the **DMX Channel** main level.
2. Select the desired personality, from **1Ch**, **3Ch**, **4Ch**, **5Ch**, **6Ch**, **8Ch**, **11Ch**, **15Ch**, **16Ch**, **18Ch**, **23Ch**, **32Ch**, **XYBasic(6)**, or **XYExtended(10)**.



- See the [Starting Address](#) section for the highest starting address available for each personality.
- Make sure that the starting addresses on the various products do not overlap due to the new personality setting.

Starting Address

Each product will respond to a unique starting address from the controller. All products with the same starting address will respond in unison. To set the starting address in DMX mode:

1. Go to the **DMX Address** main level.
2. Select the starting address (**001–512**).

Personality	Highest Address	Products per Universe
1Ch	512	512
3Ch	510	170
4Ch	509	128
5Ch	508	102
6Ch	507	85
8Ch	505	64
11Ch	502	46
15Ch	498	34
16Ch	497	32
18Ch	495	28
23Ch	490	22
32Ch	481	16
XYBasic(6)	507	85
XYExtended(10)	503	51

Operation

Ethernet Setting

The Ethernet Settings control the universe, start address (Art-Net™ or sACN), IP address, and ethernet conversion functions of the product.

Universe

To assign an Art-Net™ or sACN universe to the onAir IP Panel 2:

1. Go to the **Ethernet Setting** main level.
2. Select the **Universe** option.
3. Set the universe, from **000–255** (for Art-Net™) or from **001–256** (for sACN).

Start Channel

Each product will respond to a unique starting address from the controller. All products with the same starting address will respond in unison. To set the starting address in Art-Net™ or sACN mode:

1. Go to the **Ethernet Setting** main level.
2. Select the **Start Channel** option.
3. Select the starting address (**001–512**)
 - See the [Starting Address](#) section for the highest starting address available for each personality.



- **Make sure that the starting addresses on the various products do not overlap due to the new personality setting.**

IP Address

To set the IP address:

1. Go to the **Ethernet Setting** main level.
2. Select the **IP Address** option.
3. Select the first value of the IP address, from **2**, **10**, or **239**.
4. Press **<ENTER>** to cycle through the 4 values of the IP address.
5. Set the other 3 values from **000–255**.
6. Press **<MENU>** to exit when the IP address is set as desired.

Ethernet to DMX

When Ethernet to DMX is active, the selected universe of the Art-Net™ or sACN signal will be converted to DMX and output through the 5-pin DMX out port.

1. Go to the **Ethernet Setting** main level.
2. Select the **Ethernet To DMX** option.
3. Select from **No** (do not convert) or **Yes** (convert).

Control Channel Assignments and Values

32Ch / 23Ch / 18Ch / 16Ch

16Ch	18Ch	23Ch	32Ch	Function	Value	Percent/Setting
-	1	1	-	Dimmer	000 ⇄ 255	0–100%
1	2	2	1	Red 1	000 ⇄ 255	0–100%
-	-	-	2	Fine red 1	000 ⇄ 255	0–100%
2	3	3	3	Green 1	000 ⇄ 255	0–100%
-	-	-	4	Fine green 1	000 ⇄ 255	0–100%
3	4	4	5	Blue 1	000 ⇄ 255	0–100%
-	-	-	6	Fine blue 1	000 ⇄ 255	0–100%
4	5	5	7	White 1	000 ⇄ 255	0–100%
-	-	-	8	Fine white 1	000 ⇄ 255	0–100%
5	6	6	9	Red 2	000 ⇄ 255	0–100%
-	-	-	10	Fine red 2	000 ⇄ 255	0–100%
6	7	7	11	Green 2	000 ⇄ 255	0–100%
-	-	-	12	Fine green 2	000 ⇄ 255	0–100%
7	8	8	13	Blue 2	000 ⇄ 255	0–100%
-	-	-	14	Fine blue 2	000 ⇄ 255	0–100%
8	9	9	15	White 2	000 ⇄ 255	0–100%
-	-	-	16	Fine white 2	000 ⇄ 255	0–100%
9	10	10	17	Red 3	000 ⇄ 255	0–100%
-	-	-	18	Fine red 3	000 ⇄ 255	0–100%
10	11	11	19	Green 3	000 ⇄ 255	0–100%
-	-	-	20	Fine green 3	000 ⇄ 255	0–100%
11	12	12	21	Blue 3	000 ⇄ 255	0–100%
-	-	-	22	Fine blue 3	000 ⇄ 255	0–100%
12	13	13	23	White 3	000 ⇄ 255	0–100%
-	-	-	24	Fine white 3	000 ⇄ 255	0–100%
13	14	14	25	Red 4	000 ⇄ 255	0–100%
-	-	-	26	Fine red 4	000 ⇄ 255	0–100%
14	15	15	27	Green 4	000 ⇄ 255	0–100%
-	-	-	28	Fine green 4	000 ⇄ 255	0–100%
15	16	16	29	Blue 4	000 ⇄ 255	0–100%
-	-	-	30	Fine blue 4	000 ⇄ 255	0–100%
16	17	17	31	White 4	000 ⇄ 255	0–100%
-	-	-	32	Fine white 4	000 ⇄ 255	0–100%
-	18	18	-	Strobe	000 ⇄ 010 011 ⇄ 255	No function Strobe, slow to fast
-	-	19	-	Color temperature	000 ⇄ 255	See the Color Temperature Chart
-	-	20	-	Hue	000 ⇄ 001 002 ⇄ 255	0 -25–+25
-	-	21	-	Effect macros	000 ⇄ 010 011 ⇄ 039 040 ⇄ 068 069 ⇄ 096 097 ⇄ 125 126 ⇄ 154 155 ⇄ 182 183 ⇄ 211 212 ⇄ 240 241 ⇄ 255	No function Color chase Police car Firetruck Fire Clouds Fireworks Paparazzi Lightning No function
-	-	22	-	Effect macro speed	000 ⇄ 255	Speed, slow to fast
-	-	23	-	Control	000 ⇄ 255	See the Control Chart

Operation

15Ch / 11Ch / 8Ch / 6Ch / 5Ch / 4Ch / 3Ch / 1Ch

1Ch	3Ch	4Ch	5Ch	6Ch	8Ch	11Ch	15Ch	Function	Value	Percent/Setting
1	1	-	1	1	-	1	1	Dimmer	000 ⇔ 255	0–100%
-	-	-	2	-	-	-	2	Fine dimmer	000 ⇔ 255	0–100%
-	-	1	-	2	1	2	3	Red	000 ⇔ 255	0–100%
-	-	-	-	-	2	-	4	Fine red	000 ⇔ 255	0–100%
-	-	2	-	3	3	3	5	Green	000 ⇔ 255	0–100%
-	-	-	-	-	4	-	6	Fine green	000 ⇔ 255	0–100%
-	-	3	-	4	5	4	7	Blue	000 ⇔ 255	0–100%
-	-	-	-	-	6	-	8	Fine blue	000 ⇔ 255	0–100%
-	-	4	-	5	7	5	9	White	000 ⇔ 255	0–100%
-	-	-	-	-	8	-	10	Fine white	000 ⇔ 255	0–100%
-	-	-	5	6	-	6	11	Strobe	000 ⇔ 010 011 ⇔ 255	No function Strobe, slow to fast
-	2	-	3	-	-	7	12	Color temperature	000 ⇔ 255	See the Color Temperature Chart
-	3	-	4	-	-	8	13	Hue	000 ⇔ 001 002 ⇔ 255	0 -25–+25
-	-	-	-	-	-	9	14	Effect macros	000 ⇔ 010 011 ⇔ 039 040 ⇔ 068 069 ⇔ 096 097 ⇔ 125 126 ⇔ 154 155 ⇔ 182 183 ⇔ 211 212 ⇔ 240 241 ⇔ 255	No function Color chase Police car Firetruck Fire Clouds Fireworks Paparazzi Lightning No function
-	-	-	-	-	-	10	15	Effect macro speed	000 ⇔ 255	Speed, slow to fast
-	-	-	-	-	-	11	-	Control	000 ⇔ 255	See the Control Chart

XYExtended(10) / XYBasic(6)

XYBasic(6)	XY Extended(10)	Function	Value	Percent/Setting
1	1	Dimmer	000 ⇔ 255	0–100%
2	2	Fine dimmer	000 ⇔ 255	0–100%
3	3	X coordinate	000 ⇔ 255	0–100%
4	4	Fine X coordinate	000 ⇔ 255	0–100%
5	5	Y coordinate	000 ⇔ 255	0–100%
6	6	Fine Y coordinate	000 ⇔ 255	0–100%
-	7	Strobe	000 ⇔ 010 011 ⇔ 255	No function Strobe, slow to fast
-	8	Effect macros	000 ⇔ 010 011 ⇔ 039 040 ⇔ 068 069 ⇔ 096 097 ⇔ 125 126 ⇔ 154 155 ⇔ 182 183 ⇔ 211 212 ⇔ 240 241 ⇔ 255	No function Color chase Police car Firetruck Fire Clouds Fireworks Paparazzi Lightning No function
-	9	Effect macro speed1	000 ⇔ 255	Speed, slow to fast
-	10	Control	000 ⇔ 255	See the Control Chart

Control Chart

Value	Percent/Setting	Value	Percent/Setting
000 ⇔ 007	No function	072 ⇔ 079	Dimmer mode 1 (fast)
008 ⇔ 015	Reset dimmer	080 ⇔ 087	Dimmer mode 2
016 ⇔ 023	Red shift on	088 ⇔ 095	Dimmer mode 3 (slow)
024 ⇔ 031	Red shift off	096 ⇔ 103	Fan mode auto
032 ⇔ 039	S-curve dimmer	104 ⇔ 111	Fan mode on
040 ⇔ 047	Linear dimmer	112 ⇔ 119	Fan mode off
048 ⇔ 055	Square dimmer	120 ⇔ 127	Fan mode silent
056 ⇔ 063	Inverse square dimmer	128 ⇔ 255	Reserved for future use
064 ⇔ 071	Dimmer mode off		

Color Temperature Chart

Value	Percent/Setting	Value	Percent/Setting
000 ⇔ 005	No function	125 ⇔ 131	4500K
006 ⇔ 012	2800K	132 ⇔ 138	4600K
013 ⇔ 019	2900K	139 ⇔ 145	4700K
020 ⇔ 026	3000K	146 ⇔ 152	4800K
027 ⇔ 033	3100K	153 ⇔ 159	4900K
034 ⇔ 040	3200K	160 ⇔ 166	5000K
041 ⇔ 047	3300K	167 ⇔ 173	5100K
048 ⇔ 054	3400K	174 ⇔ 180	5200K
055 ⇔ 061	3500K	181 ⇔ 187	5300K
062 ⇔ 068	3600K	188 ⇔ 194	5400K
069 ⇔ 075	3700K	195 ⇔ 201	5500K
076 ⇔ 082	3800K	202 ⇔ 208	5600K
083 ⇔ 089	3900K	209 ⇔ 215	5700K
090 ⇔ 096	4000K	216 ⇔ 222	6000K
097 ⇔ 103	4100K	223 ⇔ 229	6500K
104 ⇔ 110	4200K	230 ⇔ 236	7000K
111 ⇔ 117	4300K	237 ⇔ 243	7500K
118 ⇔ 124	4400K	244 ⇔ 255	8000K

Operation

Standalone Configuration

In a standalone mode, the onAir IP Panel 2 can be controlled through the display menu, the control knobs, and/or the preset buttons.

CCT Control

In CCT Control mode, the control knobs have the following functions:

- **<DIM/INTENSITY>**: Increase or decrease the dimmer value, from **00.0–100%**.
- **<+/-GRN/HUE>**: Increase or decrease the green level, from **-0.25–0.25**.
- **<CCT/SATURATION>**: Increase or decrease the correlated color temperature, from **2800–8000K**.

To set the product to CCT Control mode, press one of the preset buttons, or:

1. Go to the **Static** main level.
2. Select the **CCT Control** option.

Preset Buttons

Pressing one of the 8 preset buttons will automatically set the product to CCT Control mode.

- Press **<Preset A/B>** to toggle between the **A** presets (factory-defined) and the **B** presets (custom).
- To save a custom preset:
 1. Press **<Preset A/B>** until the upper right corner of the display reads **P/B**.
 2. Set the control knobs as desired in CCT Control mode.
 3. Press and hold the button for the desired preset. (**Master Mode Preset Save** will flash on the display).

HSV Control

In HSV Control mode, the control knobs have the following functions:

- **<DIM/INTENSITY>**: Increase or decrease the dimmer value, from **00.0–100%**.
- **<+/-GRN/HUE>**: Increase or decrease the hue value, from **000–360°**.
- **<CCT/SATURATION>**: Increase or decrease the saturation, from **00.0–100%**.

To set the product to HSV Control mode:

1. Go to the **Static** main level.
2. Select the **HSV Control** option.

XY Control

In HSV Control mode, the control knobs have the following functions:

- **<DIM/INTENSITY>**: Increase or decrease the dimmer value, from **00.0–100%**.
- **<+/-GRN/HUE>**: Increase or decrease the X coordinate value, from **0.00–0.850**.
- **<CCT/SATURATION>**: Increase or decrease the Y coordinate value, from **0.00–0.850**.

To set the product to HSV Control mode:

1. Go to the **Static** main level.
2. Select the **XY Control** option.

Preset CCTs

To set the onAir IP Panel 2 to a preset correlated color temperature through the display menu:

1. Go to the **Static** main level.
2. Select the **Preset CCTs** option.
3. Select the preset correlated color temperature, from **2800K, 2900K, 3000K, 3100K, 3200K, 3300K, 3400K, 3500K, 3600K, 3700K, 3800K, 3900K, 4000K, 4100K, 4200K, 4300K, 4400K, 4500K, 4600K, 4700K, 4800K, 4900K, 5000K, 5100K, 5200K, 5300K, 5400K, 5500K, 5600K, 5700K, 6000K, 6500K, 7000K, 7500K, or 8000K**.
4. Set the **Dimmer** from **000–255**.
5. Set the **Hue** from **-25–25**.

Manual Color Mixer

To mix a custom static color through the display menu of the onAir IP Panel 2:

1. Go to the **Static** main level.
2. Select the **Manual Color Mixer** option.
3. Select the color value to edit, from **Red, Green, Blue, and White**.
4. Set the selected color value from **000–255**.
5. Repeat until the color is set as desired.

Effect Macros

The onAir IP Panel 2 features 8 effect macros that simulate lighting effects.

1. Go to the **Effect Macros** main level.
2. Select the effect macro, from **Color Chase, Police Car, Firetruck, Fire, Clouds, Fireworks, Paparazzi, or Lightning**.
3. Set the speed from **001–100**.

Settings Configuration

Red Shift

With red shift enabled, the color temperature will warm as the dimmer decreases in imitation of a lamp. To enable or disable the red shift function:

1. Go to the **Red Shift** main level.
2. Select from **On** or **Off**.

Master/Slave

To set the onAir IP Panel 2 product to master or slave mode:

1. Go to the **Master/Slave** main level.
2. Select from **Master** (sends control signal) or **Slave** (receives control signal).



- **Configure all the slave products before connecting the master to the daisy chain.**
- **Never connect a DMX controller to a DMX string configured for Master/Slave operation because the controller may interfere with the signals from the master.**
- **Do not connect more than 31 slaves to the master.**

DMX Loss

To set the way in which the product will respond to the loss of a DMX signal:

1. Go to the **DMX Loss** main level.
2. Select from
 - **Hold Last** (maintain and send the last DMX values received),
 - **Stop DMX** (maintain the last DMX values received without sending), or
 - **Blackout** (set all channels to 000).

Dimmer Curve

To set the dimmer curve:

1. Go to the **Red Shift** main level.
2. Select from **S Curve**, **Linear**, **Square**, or **Inverse Square**.

Dimmer Speed Mode

To set the dimmer speed:

1. Go to the **Dimmer Mode** main level.
2. Select the dimmer speed mode from **Off** (instant), **Dimmer 1** (fastest), **Dimmer 2**, or **Dimmer 3** (slowest).

Color Calibration

To configure the color calibration:

1. Go to the **Color Calibration** main level.
2. Select from **Off**, **User Calibration**, or **Factory Calibration**.
3. If **User Calibration**, select the maximum color value to edit, from **Red**, **Green**, **Blue**, or **White**.
4. Set the maximum level for the selected color, from **125–255**.
5. Repeat until the colors are calibrated as desired.

Pulse Width Modulation

To set the frequency of the pulse width modulation:

1. Go to the **LED Frequency** main level.
2. Select the PWM frequency, from **600Hz**, **1200Hz**, **2000Hz**, **4000Hz**, **6000Hz**, or **25KHz**.

Fan Mode

To set the fan mode:

1. Go to the **Fan Mode** main level.
2. Select the fan mode, from **Auto** (adjusts to product temperature), **On** (always on), **Off** (always off), or **Silent** (silent mode).

Operation

Wireless Lumenradio CRMX™ Settings

Toggle CRMX™

To enable or disable wireless CRMX™ control:

1. Go to the **Wireless Setting** main level.
2. Select the **Receive Off/On** option.
3. Select from **Off** (disabled) or **On** (enabled).

Receiver Reset

To reset the CRMX™ receiver:

1. Go to the **Wireless Setting** main level.
2. Select the **Receive Reset** option.
3. Select from **No** (do not reset) or **Yes** (reset).

Wireless to DMX

The onAir IP Panel 2 can convert wireless CRMX™ to wired DMX output. To enable or disable this function:

1. Go to the **Wireless Setting** main level.
2. Select the **Wireless To DMX** option.
3. Select from **No** (do not convert) or **Yes** (convert).

Display Backlight

To set how long the display will stay lit without activity:

1. Go to the **Back Light** main level.
2. Select from **10S** (10 seconds), **30S** (30 seconds), **2Min** (2 minutes), or **Always On**.

Information

To view product information, such as the number of hours the product has been on, the driver firmware, etc., go to the **Information** main level.

Factory Reset

To reset the product to factory default settings:

1. Go to the **Factory Reset** main level.
2. Select **No** (do not reset) or **Yes** (reset).

Web Server

The onAir IP Panel 2 Web Server can be accessed by any computer on the same network as the product. It allows network access to system information, settings such as control protocol and starting address, color output testing, and the ability to change the Web Server password.

1. Connect the product to a Windows computer with a network cable.
2. On the computer, set the IP address of the new network to have the same first 3 digits as the IP address of the product (See [IP Address](#)).
3. Enter the IP address of the product into the URL bar of a web browser on the computer.
4. Enter both the User Name and Password as **admin** to log in.

Home

The Web Server Home page displays the details of all available control personalities and the technical specifications for the onAir IP Panel 2.

Settings

The Web Server Settings page provides options for control. From the drop-down menus, the Protocol, Universe, Start Address, IP Address, Ethernet to DMX, Personality, Dimmer Curve, Dimmer Mode, and PWM Frequency can all be edited. Click **Save Settings** to send the new configuration to the product.

Output

On the Web Server Output page, an output test of the product's LEDs can be performed, by either editing the values of each LED manually (by typing the number or moving the fader), or by selecting a sample color. The page will show the current output color on the bottom left.

Security

The Web Server Security page gives the option to change the password to the connected product's web server. Enter the old password (**admin**, by default) and the new password twice, then click **Save Settings** to change the password.

5. Maintenance

Product Maintenance

Dust build-up reduces light output performance and can cause overheating. This can lead to reduction of the light source's life and/or mechanical wear. To maintain optimum performance and minimize wear, clean the lighting products at least twice a month. However, be aware that usage and environmental conditions could be contributing factors to increase the cleaning frequency.

To clean the product, follow the instructions below:

1. Unplug the product from power.
2. Wait until the product is at room temperature.
3. Use a vacuum (or dry compressed air) and a soft brush to remove dust collected on the external surface/vents.
4. Clean all transparent surfaces with a mild soap solution, ammonia-free glass cleaner, or isopropyl alcohol.
5. Apply the solution directly to a soft, lint free cotton cloth or a lens cleaning tissue.
6. Softly drag any dirt or grime to the outside of the transparent surface.
7. Gently polish the transparent surfaces until they are free of haze and lint.



Always dry the transparent surfaces carefully after cleaning them.



Do not spin the cooling fan with compressed air. Damage may result.

6. Technical Specifications

Dimensions and Weight

Length	Width	Height	Weight
33.4 in (849 mm)	5.4 in (139 mm)	21.6 in (553 mm)	37.9 lb (17.1 kg)

Note: Dimensions in inches are rounded.

Power

Power Supply Type	Range	Voltage Selection
Switching (internal)	100 to 240 VAC, 50/60 Hz	Auto-ranging
Battery (external)	28 VDC	Fixed

Parameter	100 V, 60 Hz	120 V, 60 Hz	208 V, 60 Hz	230 V, 50 Hz	240 V, 50 Hz
Consumption	378 W	372 W	371 W	370 W	371 W
Operating Current	3.729 A	3.104 A	1.774 A	1.608 A	1.540 A
Power Linking	3 products	4 products	7 products	8 products	8 products

Power I/O	U.S./Worldwide	UK/Europe
Power Input Connectors	Seetronic Powerkon IP65 3-pin IP65 XLR (28 VDC)	Seetronic Powerkon IP65 3-pin IP65 XLR (28 VDC)
Power Output Connector	Seetronic Powerkon IP65	Seetronic Powerkon IP65
Power Cord Plug	Edison (U.S.)	Local Plug

Light Source

Type	Color	Quantity	Power	Current	Lifespan
LED	Tri-color RGB	448	1.4 W	150 mA	50,000 hours
LED	Warm white	448	0.50 W	150 mA	50,000 hours

Photometrics

Color Temperature (Range)	Color Temperature (At Full)	Beam Angle	Field Angle	Illuminance @ 5 m
2800 to 8000 K	7220 K	100.2°	157°	349 lux

Thermal

Startup Temperature Range	Operating Temperature Range	Cooling System
-4 °F–113 °F (-20 °C–45 °C)	-22 °F–113 °F (-30 °C–45 °C)	Fan-assisted Convection

DMX

I/O Connector	Channel Range
5-pin XLR	1, 3, 4, 5, 6, 8, 10, 11, 15, 16, 18, 23, or 32

Art-Net™/sACN

I/O Connector	Channel Range
Seetronic Etherkon-Compatible	1, 3, 4, 5, 6, 8, 10, 11, 15, 16, 18, 23, or 32

Ordering

Product Name	Item Name	Item Code	UPC Number
onAir IP Panel 2	ONAIRPANEL2IP	031301718	781462220662



UL 1573
CSA C22.2 No. 166
E113093



RoHS

Contact Us

General Information	Technical Support
Chauvet World Headquarters	
Address: 3360 Davie Rd. Davie, FL 33314 Voice: (954) 577-4455 Fax: (954) 929-5560 Toll Free: (800) 762-1084	Voice: (844) 393-7575 Fax: (954) 756-8015 Email: chauvetcs@chauvetlighting.com Website: www.chauvetprofessional.com
Chauvet U.K.	
Address: Pod 1 EVO Park Little Oak Drive, Sherwood Park Nottinghamshire, NG15 0EB UK Voice: +44 (0) 1773 511115 Fax: +44 (0) 1773 511110	Email: UKtech@chauvetlighting.eu Website: www.chauvetprofessional.eu
Chauvet Benelux	
Address: Stokstraat 18 9770 Kruishoutem Belgium Voice: +32 9 388 93 97	Email: BNLtech@chauvetlighting.eu Website: www.chauvetprofessional.eu
Chauvet France	
Address: 3, Rue Ampère 91380 Chilly-Mazarin France Voice: +33 1 78 85 33 59	Email: FRtech@chauvetlighting.fr Website: www.chauvetprofessional.eu
Chauvet Germany	
Address: Bruno-Bürgel-Str. 11 28759 Bremen Germany Voice: +49 421 62 60 20	Email: DEtech@chauvetlighting.de Website: www.chauvetprofessional.eu
Chauvet Mexico	
Address: Av. de las Partidas 34 - 3B (Entrance by Calle 2) Zona Industrial Lerma Lerma, Edo. de México, CP 52000 Voice: +52 (728) 690-2010	Email: servicio@chauvet.com.mx Website: www.chauvetprofessional.mx

Warranty & Returns

For warranty terms and conditions and return information, please visit our website.

For customers in the United States and Mexico: www.chauvetlighting.com/warranty-registration.

For customers in the United Kingdom, Republic of Ireland, Belgium, the Netherlands, Luxembourg, France, and Germany: www.chauvetlighting.eu/warranty-registration.